

DC Current Shunt

赛峰直流分流器简易目录

ABOUT SAIFENG

关于赛峰

30_年

生产研发经验
Production & R&D Exp

30⁺

直流分流器系列
DC Shunt Series

浙江赛峰电子有限公司是一家专注于直流分流器研发、生产与销售的专业制造企业。公司拥有占地 1200 平方米的自建厂房，位于乐清市凤凰工业区，距离乐清凤凰山景区约 1.8 公里，距乐清高铁站仅 2.8 公里，交通十分便利。

作为一家专业的直流分流器制造企业，公司始终致力于分流器技术的创新与产业升级，不断推出符合市场需求的新产品。为确保产品的高精度工艺，公司在行业内率先引入激光焊接设备。此外，公司生产的专利电子束焊分流器及高精度直流分流器，在行业中是唯一采用大电流测试设备进行检测的产品。目前，公司拥有直流分流器产品 30 多个系列、近 3000 种规格，相关产品均已通过武高所、上海电器科学研究院等单位的高标准检测认证。

多年来，公司凭借领先的行业技术、精湛的工艺和卓越的产品质量，产品广泛应用于通讯设备、新能源汽车、充电桩、太阳能光伏、高频电源、电焊机、轨道交通、计量部门等多个制造领域，赢得了国内外众多合作客户的信赖。客户群体覆盖国内及欧美、东南亚等国家和地区，在行业内享有良好声誉。目前，公司已与“中国船舶集团第七一二研究所”、“广州擎天实业”、“广州白云电器”、“动力源科技”、“佳士科技”、“西门子交通电气”等国内外一流企业建立战略合作关系。公司秉持“精益求精，持续创新；客户至上，互利共赢”的理念，始终以行业标杆的标准严格要求自己。

Since
1996





来图定制

Custom Made Per Drawing



来料定制

Customer Material Customization



来样定制

Customization Based On Customer Samples

Zhejiang Saifeng Electronics Co., Ltd. is a professional manufacturer dedicated to the research and development, production and sales of DC shunts. The company owns a self-built factory of 1,200 square meters, located in Fenghuang Industrial Zone, Yueqing City. It is about 1.8 kilometers from Yueqing Fenghuang Mountain Scenic Area and only 2.8 kilometers away from Yueqing High-speed Railway Station, with extremely convenient transportation.

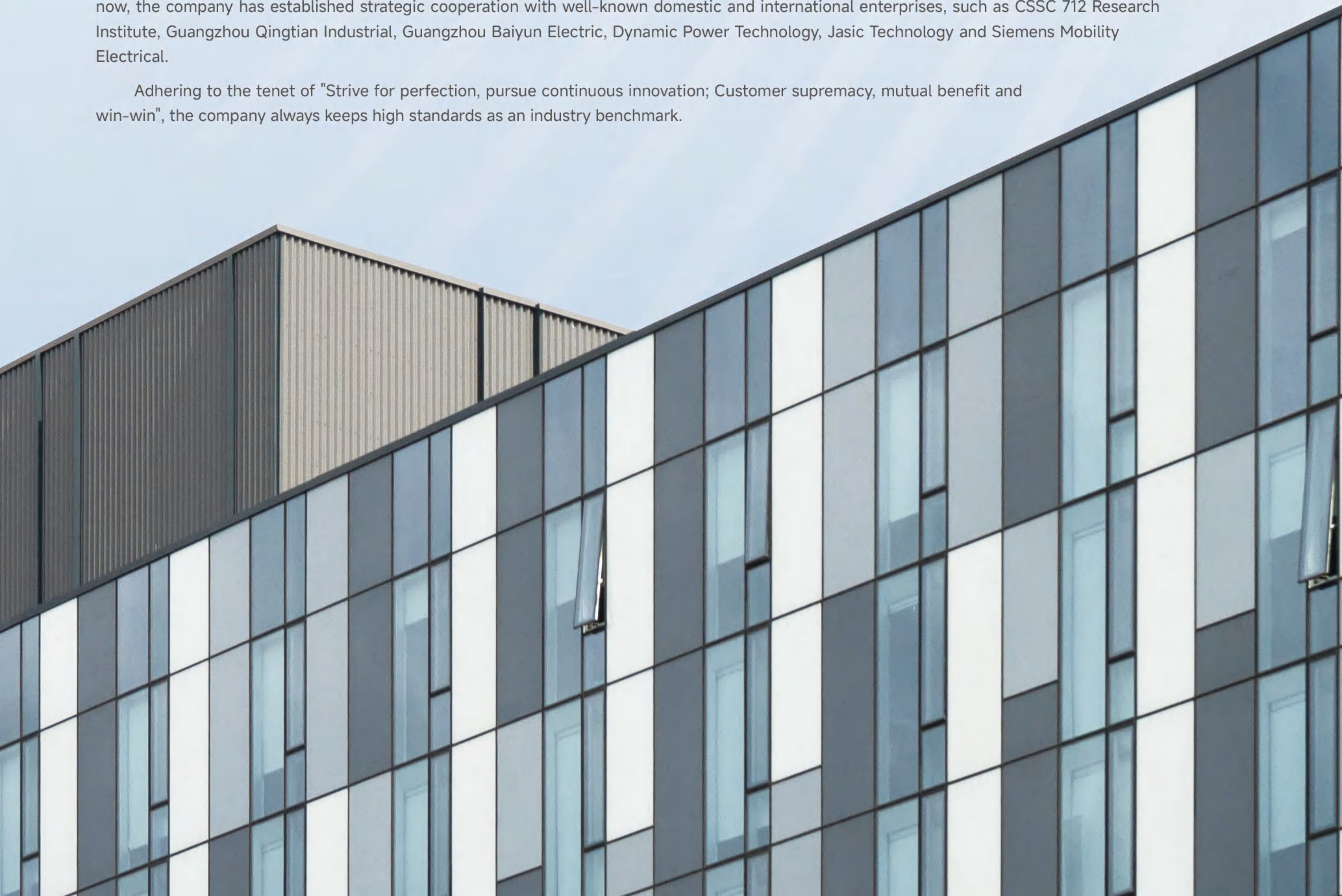
As a professional DC shunt manufacturer, the company has long been committed to technological innovation and industrial upgrading of shunt products, and continuously launches new products to meet market demands. To ensure high-precision manufacturing workmanship, the company took the lead in introducing laser welding equipment in the industry.

In addition, our patented electron beam welded shunts and high-precision DC shunts are the only products in the industry inspected by high-current testing equipment. At present, we have more than 30 series and nearly 3,000 specifications of DC shunts, all of which have passed high-standard testing and certification by authoritative institutions including Wuhan High Voltage Research Institute and Shanghai Electrical Apparatus Research Institute.

Over the years, relying on leading industry technology, exquisite craftsmanship and excellent product quality, our products are widely used in communication equipment, new energy vehicles, charging piles, solar photovoltaics, high-frequency power supplies, electric welding machines, rail transit, metrology institutions and other manufacturing fields. We have won the trust of numerous partners at home and abroad.

Our customers cover China, Europe, America, Southeast Asia and other countries and regions, enjoying a high reputation in the industry. Up to now, the company has established strategic cooperation with well-known domestic and international enterprises, such as CSSC 712 Research Institute, Guangzhou Qingtian Industrial, Guangzhou Baiyun Electric, Dynamic Power Technology, Jasic Technology and Siemens Mobility Electrical.

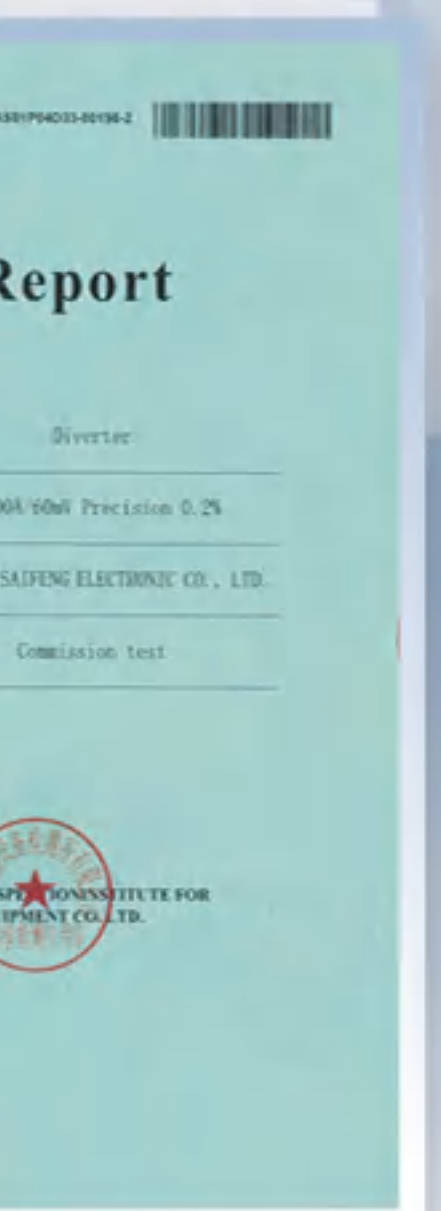
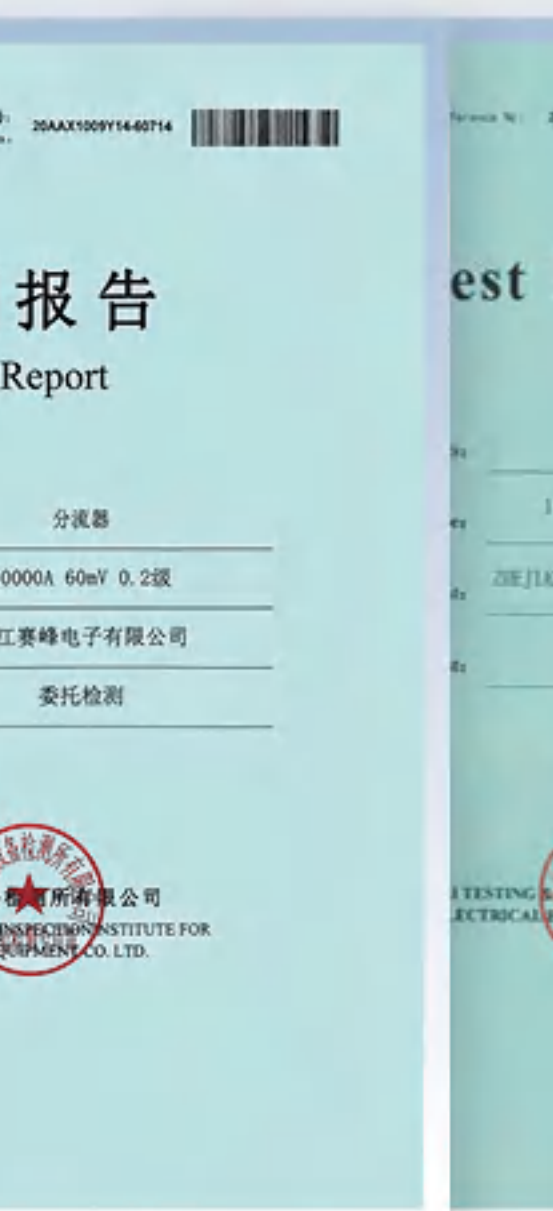
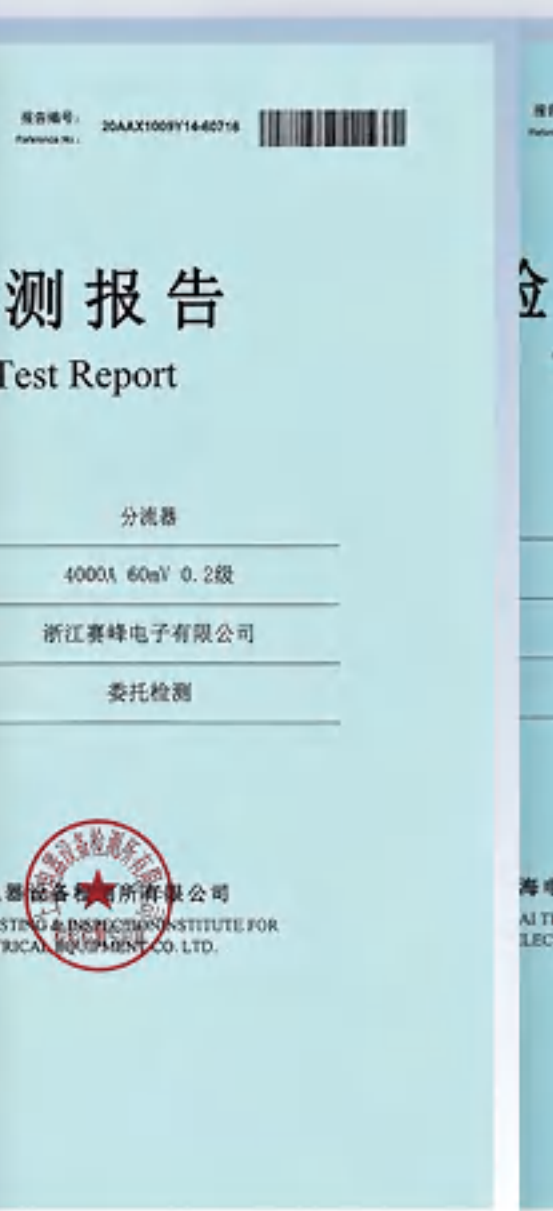
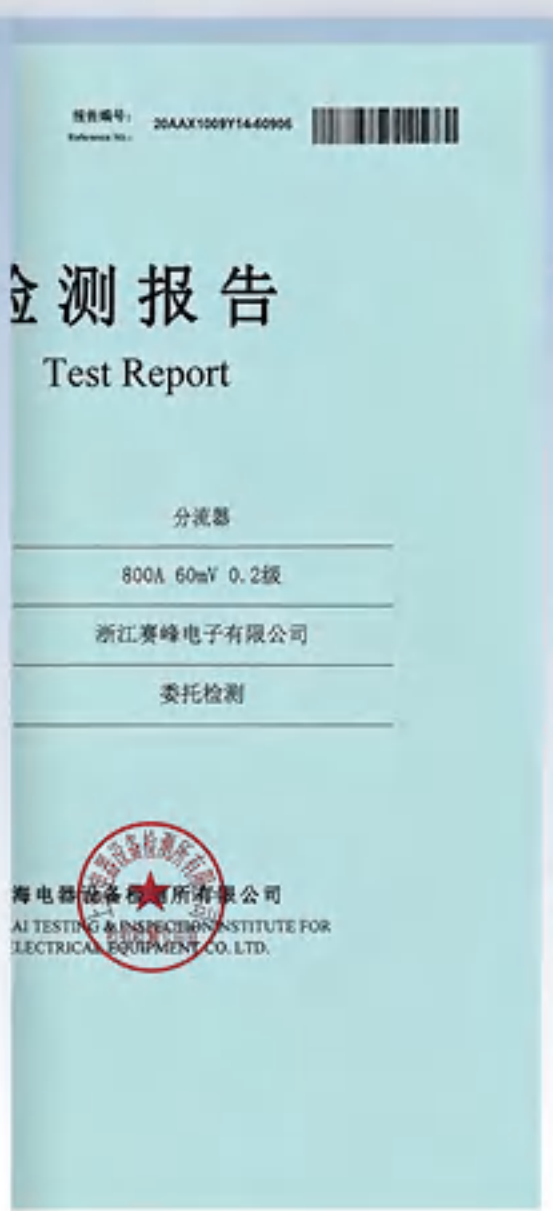
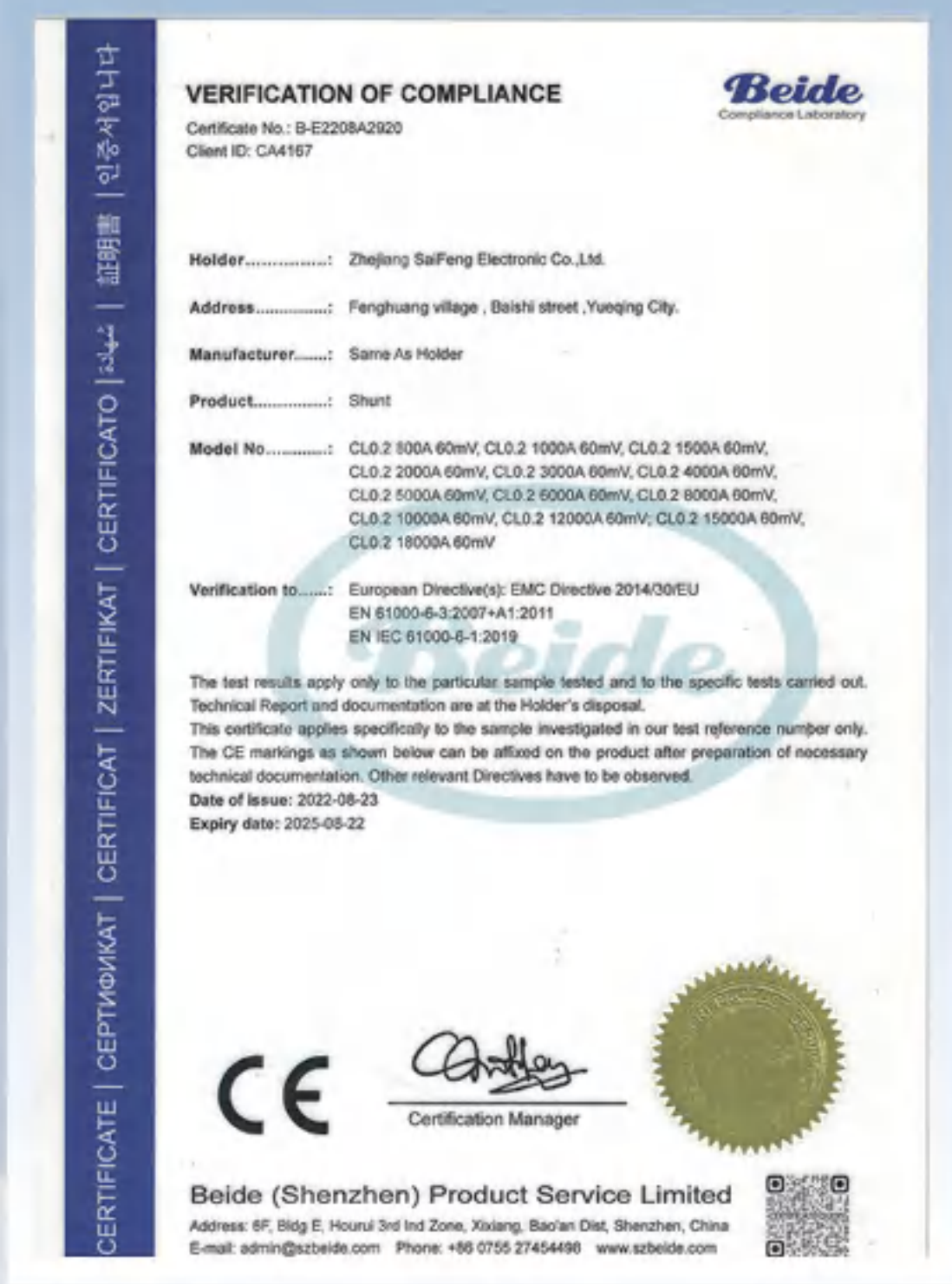
Adhering to the tenet of "Strive for perfection, pursue continuous innovation; Customer supremacy, mutual benefit and win-win", the company always keeps high standards as an industry benchmark.

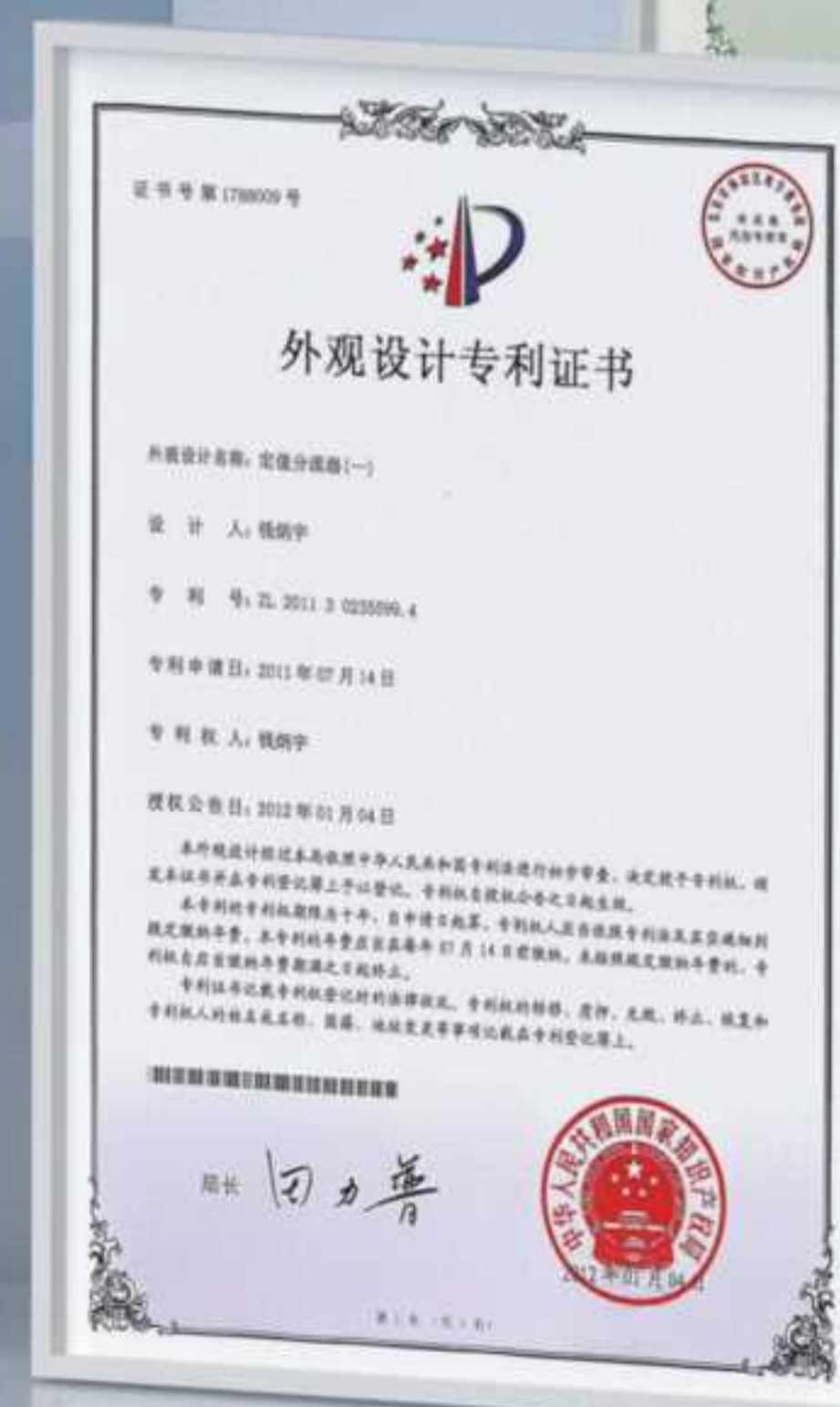


PATENT CERTIFICATE

专利证书

- CE 证书
- 测试证书
- 三体系 ISO9001 证书
- 校准证书
- 专利证书
- CE Certificate
- Test Certificate
- ISO9001 Certificate
- Calibration Certificate
- Patent Certificate





PRODUCT CATALOG

产品目录





固定式定值分流器说明 Product Description	01
FL-2A 型 FL-2A Type	02
FL-2B 型 FL-2B Type	06
FL-P 专利型 Patent Type	08
FL-U 型 FL-U Type	11
FL-19 型 FL-19 Type	12
FL-21 出口型 FL-21 Export Type	14
台湾型 Taiwan Type	16
FL-39 型 FL-39 Type	17
FL-27、28 型 High Precision FL-27、28 Type	18
FL- 水冷型 FL-Water Cooled Type	19
FL- 风冷型 FL-Air Cooled Type	21
FLP1/FLT1 型 FLP1/FLT1 Type	23
铜排 Copper Busbar	24

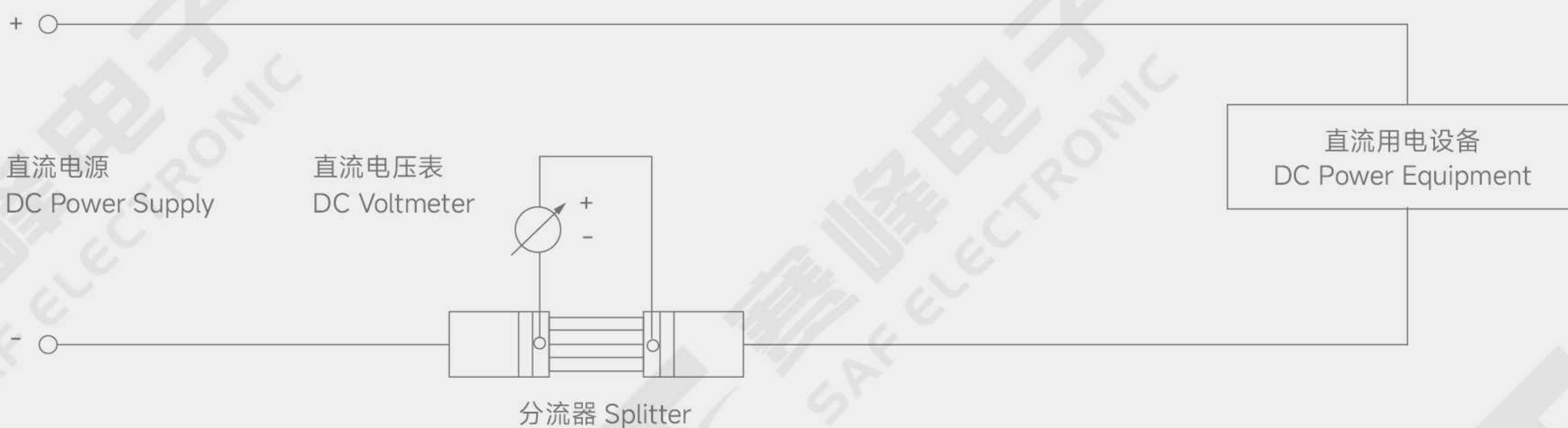
PRODUCT DESCRIPTION

固定式定值分流器说明

固定式定值分流器是一种适用于对测量直流电流在 10KA 以下直接作用于模拟显示仪器连同使用以扩大直流电流测量范围的外附分流器，或可看成在依次电路中作电流取样用的标准电阻器，其取样电压可看作测量用的一次电流的模拟信号。

Fixed fixed value shunt is a kind of external shunt which can directly act on the analog display instrument when the measured DC current is less than 10kA and is used to expand the DC current measurement range, or it can be regarded as a standard resistor for current sampling in the sequential circuit, and its sampling voltage can be regarded as the analog signal of the primary current for measurement.

- ◎ **准确度等级:** 2-4000A;0.5 级 ;5000~10000A;1 级。
- ◎ **环境条件:** -40~+60℃, 相对湿度≤ 95%(35℃)。
- ◎ **过载性能:** 额定电流 120%, 2 小时。
- ◎ **电压降:** 50mV / 60mV / 75mV / 100mV。
- ◎ **负载下发热:** 温升变化趋于稳定后, 额定电流 50A 以下不超过 80℃; 额定电流 50A 以上不超过 120℃。
- ◎ **Accuracy level:** 2-4000a;0.5;5000-10000a;level 1.
- ◎ **Environmental conditions:** -40~+60 °C ,relative temperatures 95% (35 °C).
- ◎ **Overload performance:** rated current 120%.2 hours.
- ◎ **Voltage drop:** 50mV 60mV 75mV 100mV.
- ◎ **Heating under load:** after the temperature rise becomes stable, the rated current below 50A shall not exceed 80 °C ; the rated current above 50A shall not exceed 120 °C .



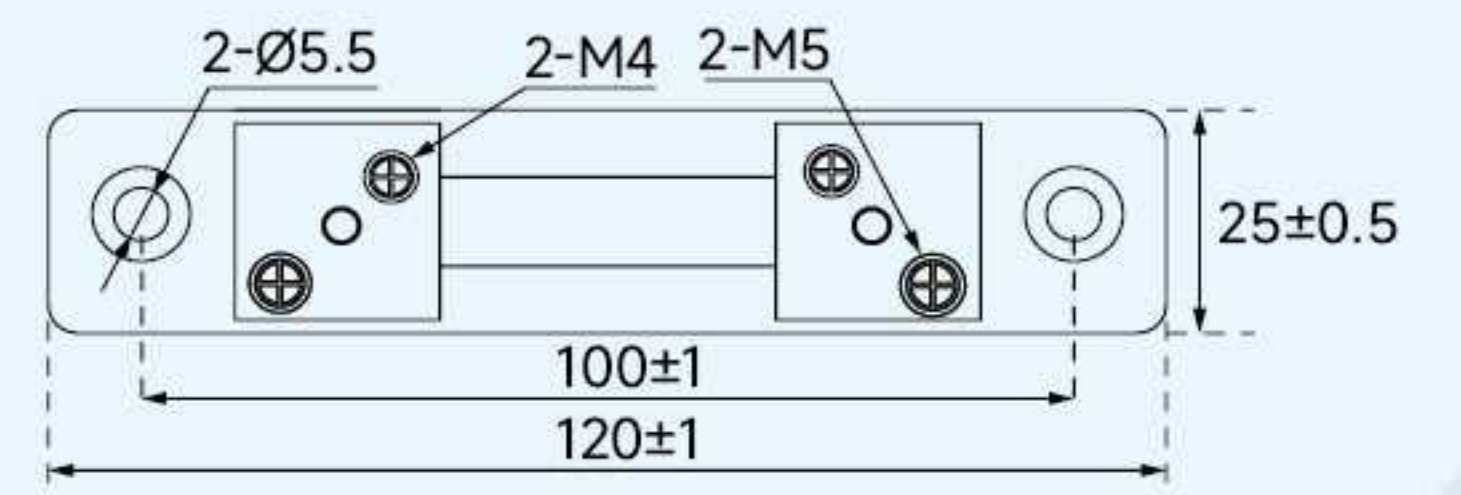
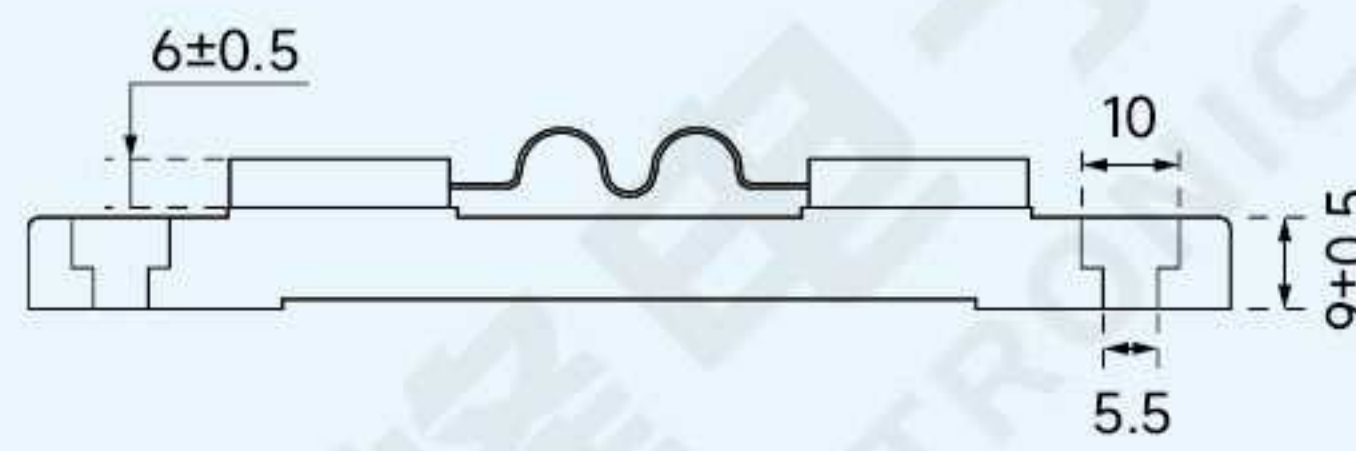
注意事项 Attention

- ① 分流器一次回路的电缆 (或铜排) 与分流器连接处不允许有人为的接触电阻, 二次电压的取样点不能从非取样点取样。
- ② 实际使用的电流 (长时间) 建议不超过额定电流的 80%。
- ① No artificial contact resistance is allowed at the connection between the cable (or copper bar) of the primary circuit of the diverter and the diverter, and the sampling point of the secondary voltage cannot be sampled from the non sampling point.
- ② The actual current (for a long time) is recommended not to exceed 80% of the rated current.

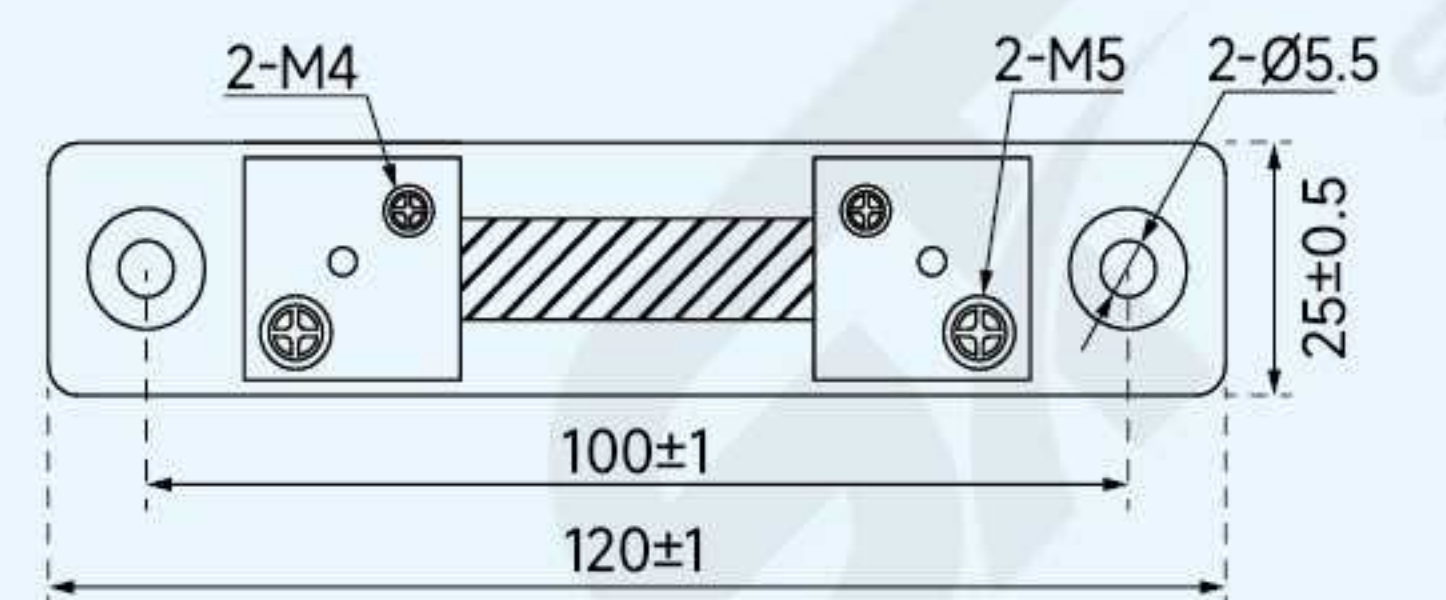
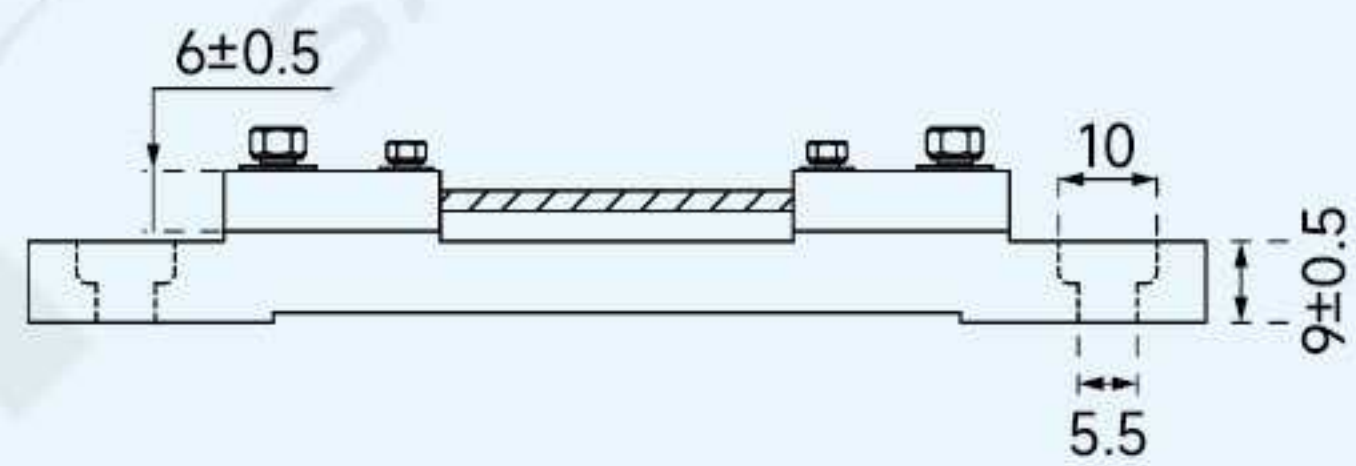
FL-2A TYPE DC SHUNT

FL-2A 型

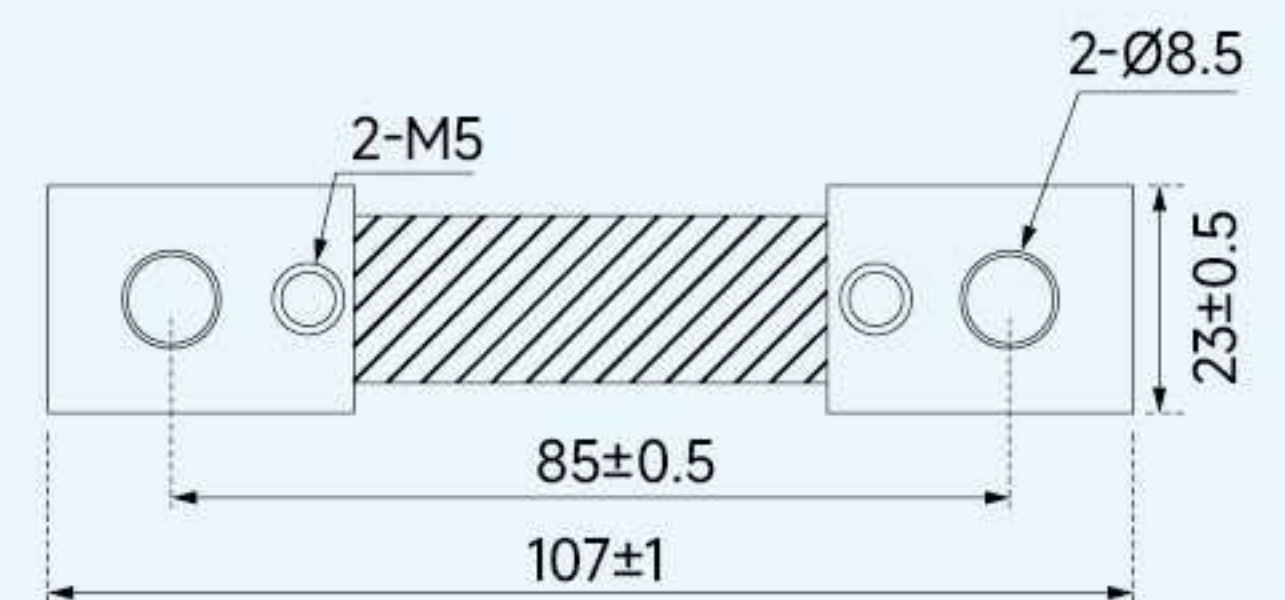
1A-25A



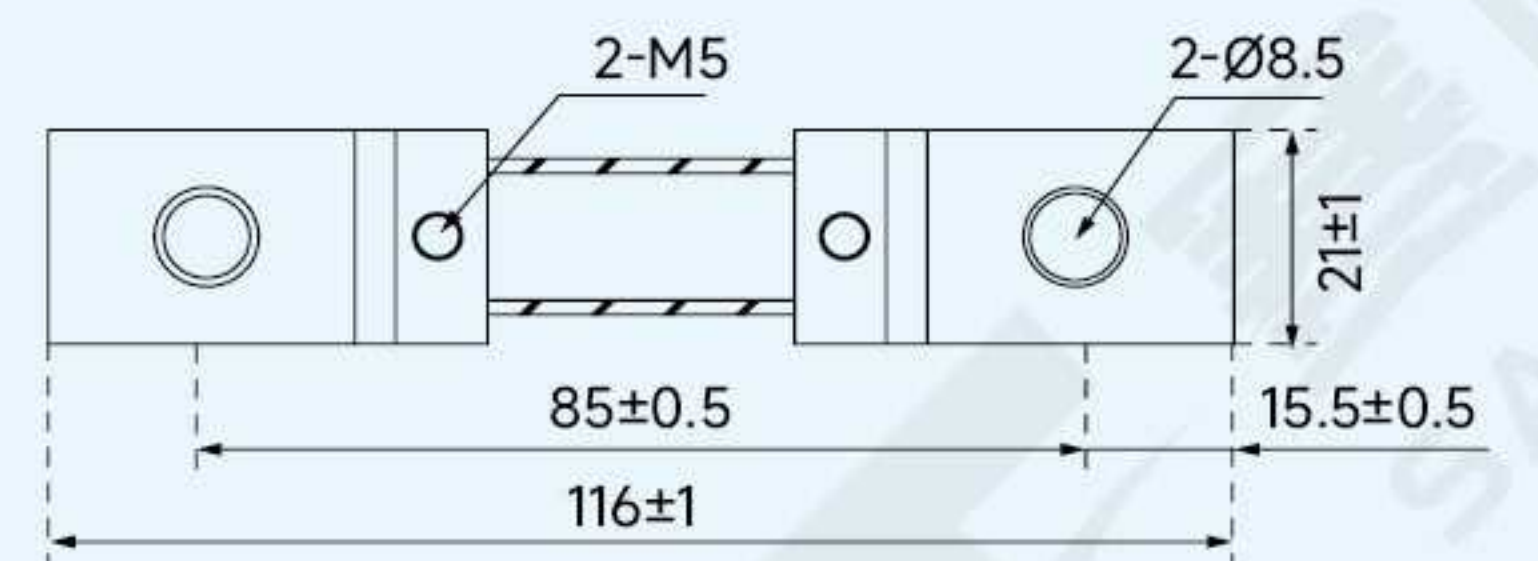
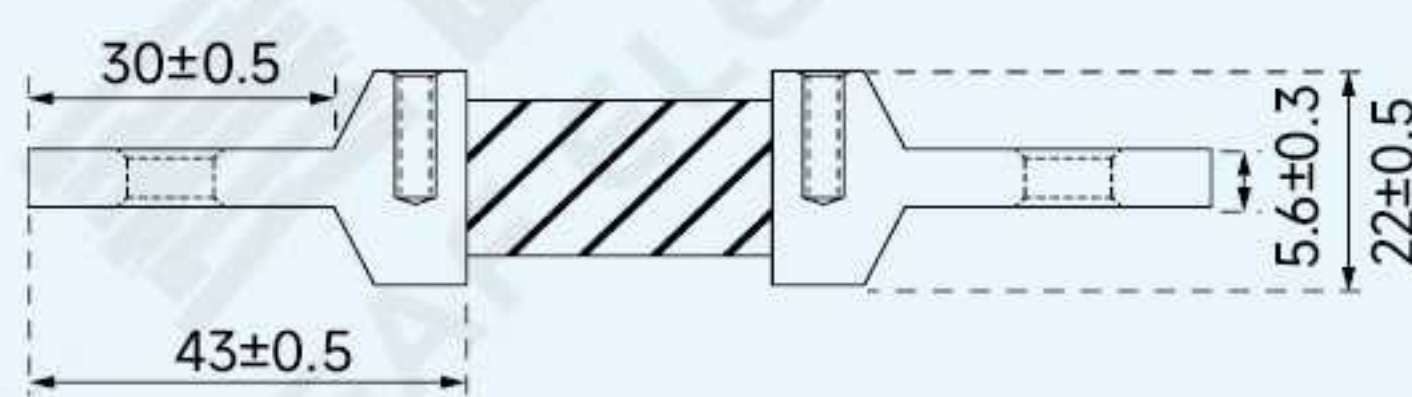
30A-60A



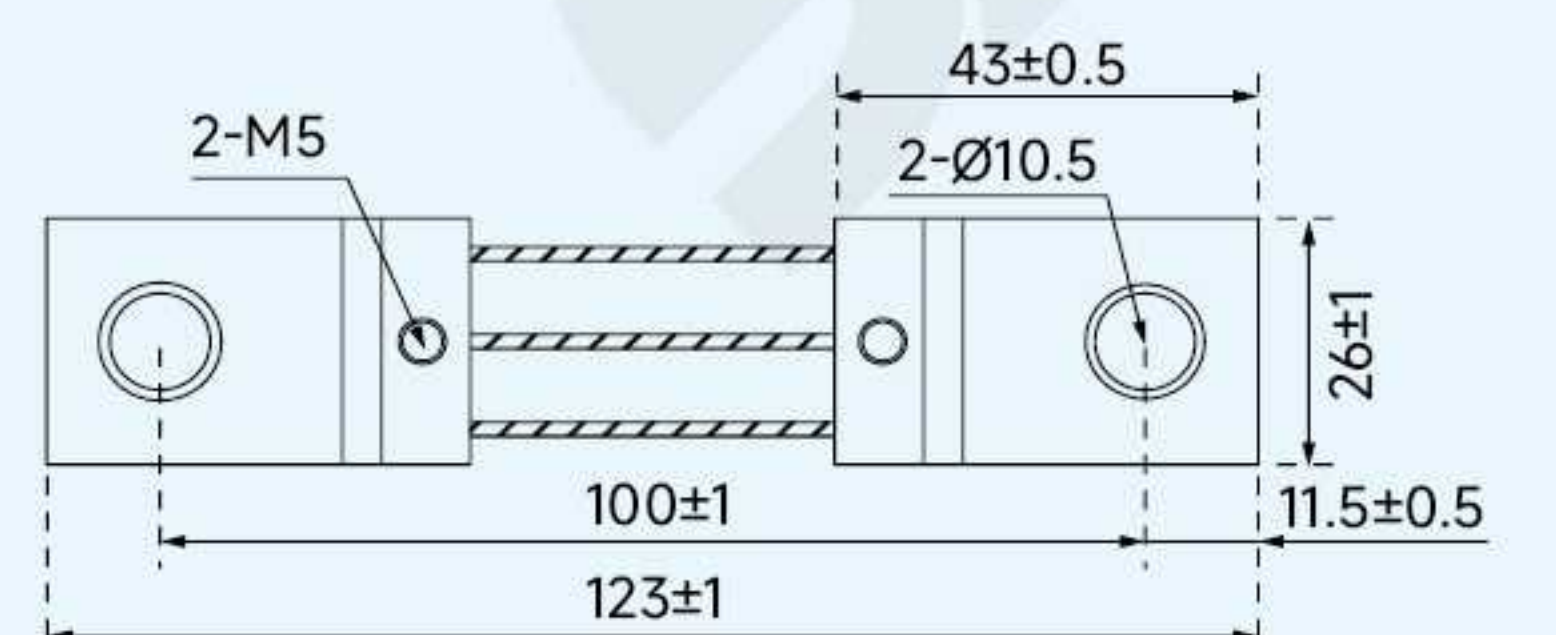
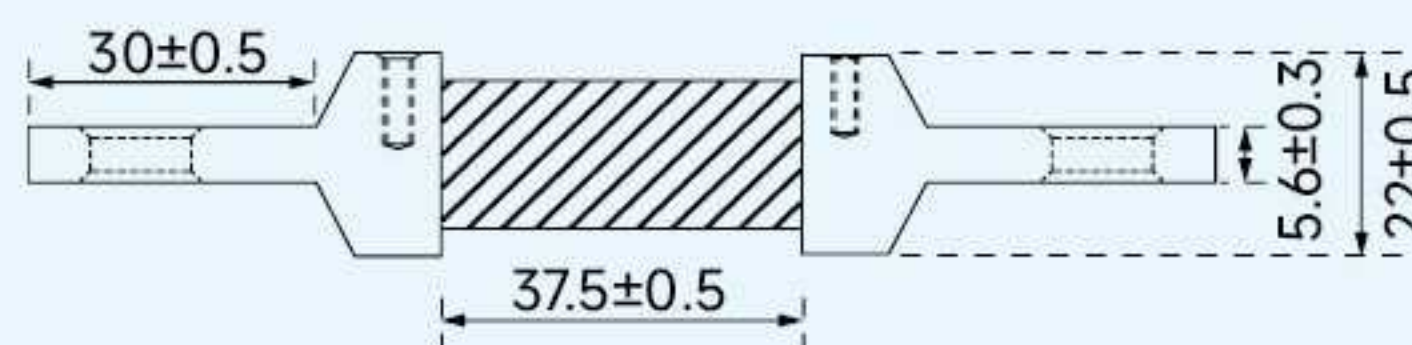
75A-100A



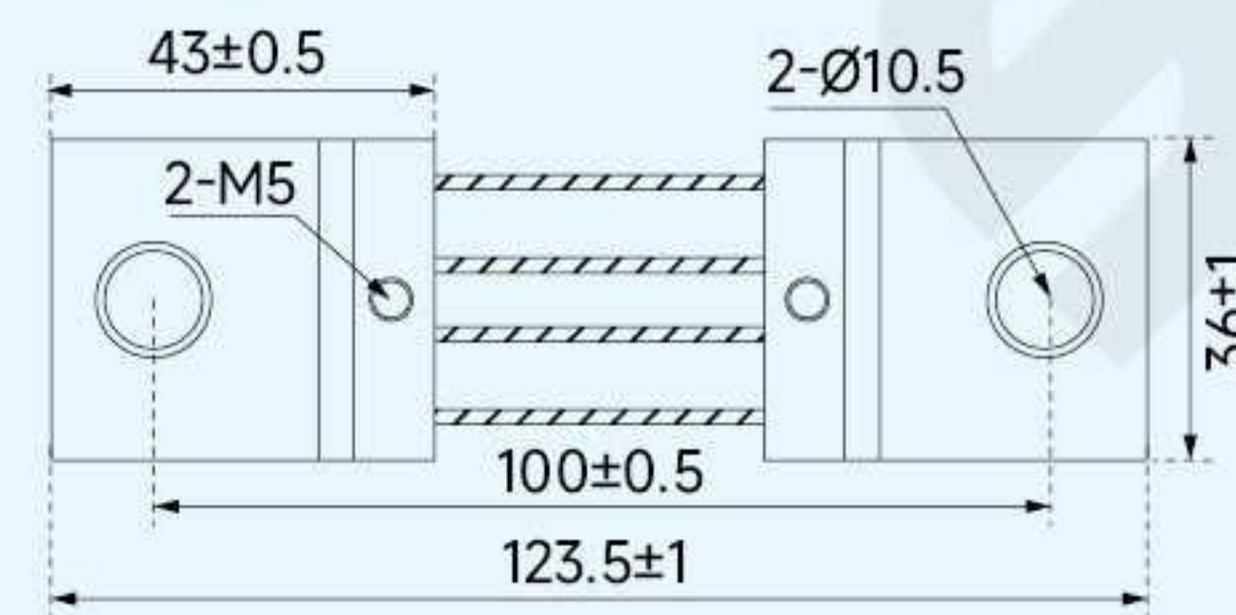
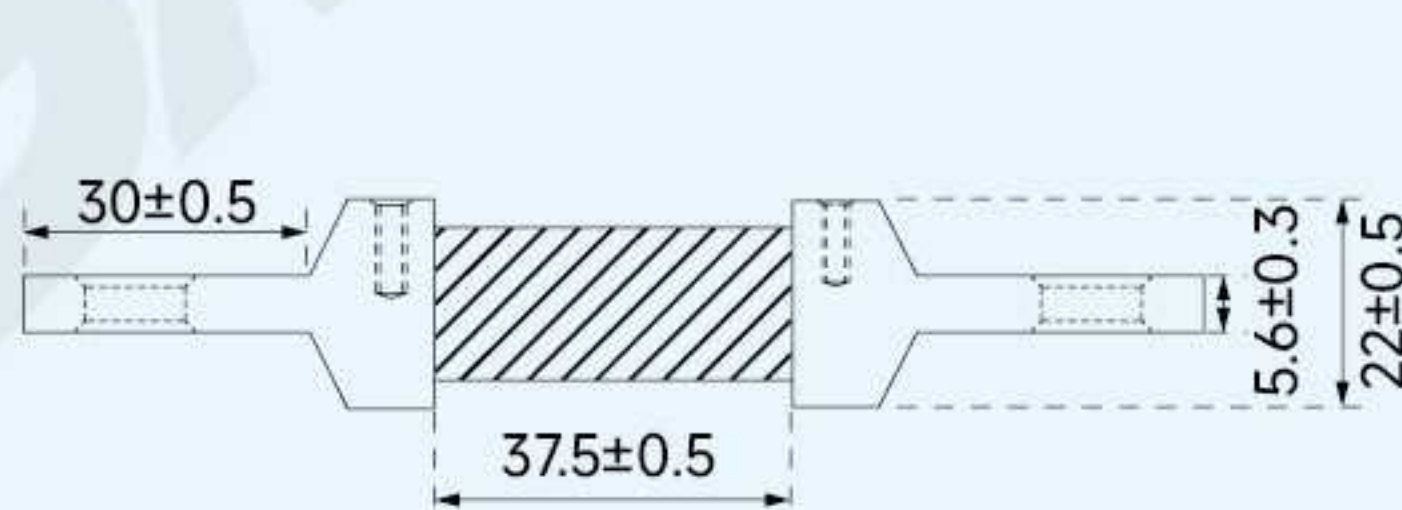
150A-250A



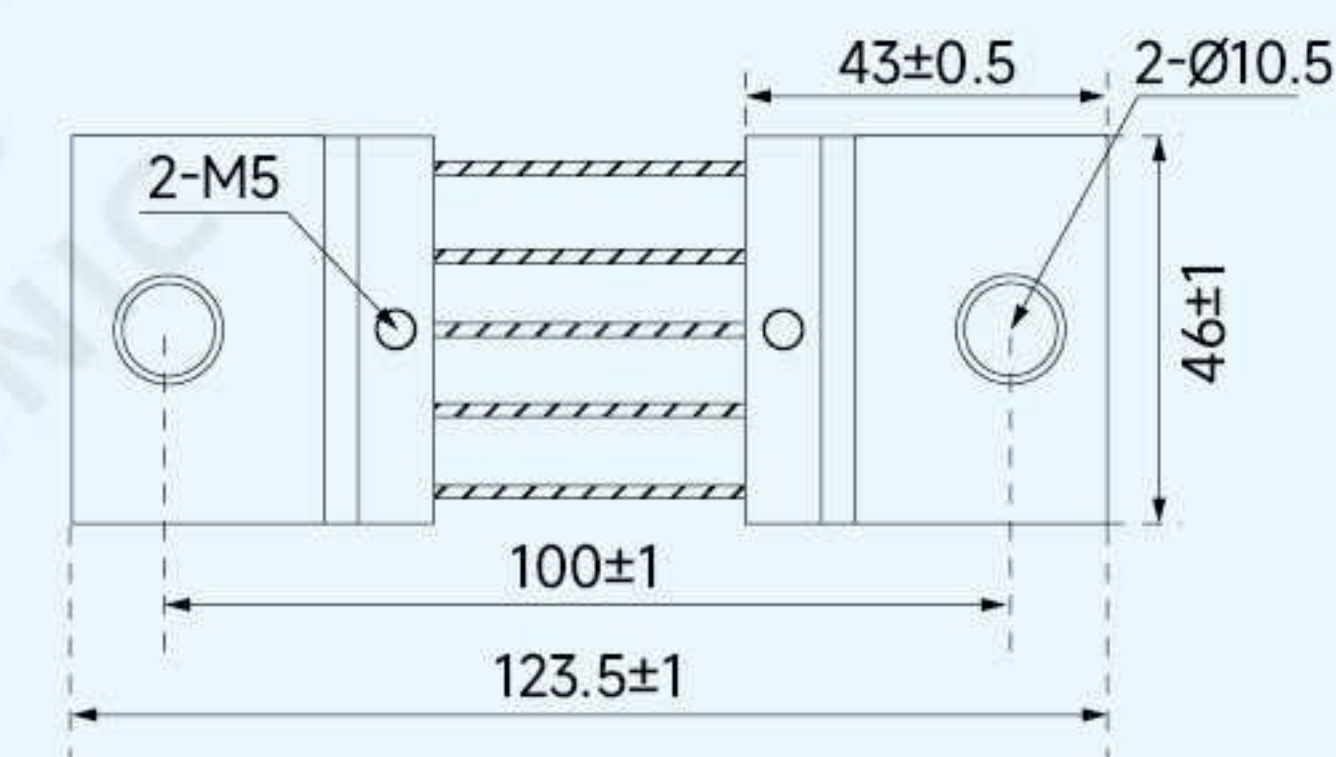
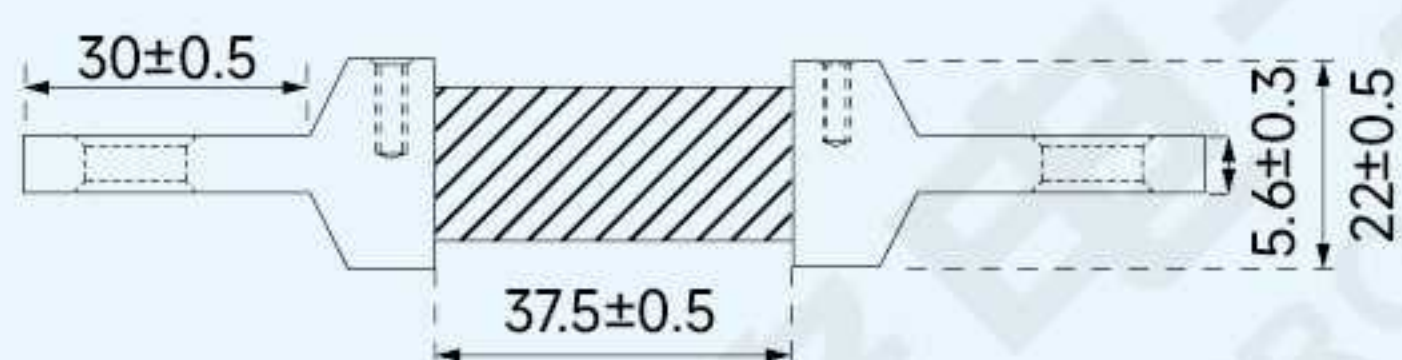
300A



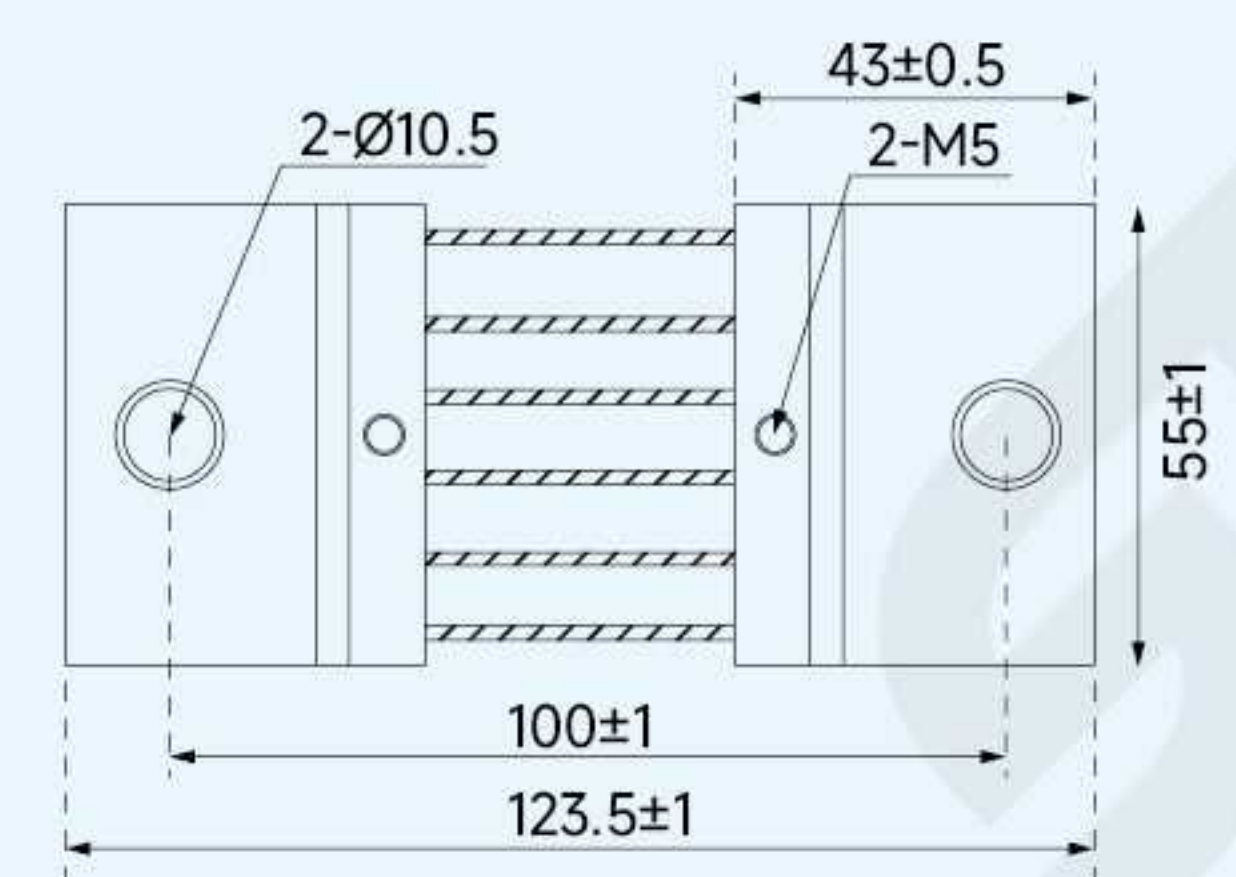
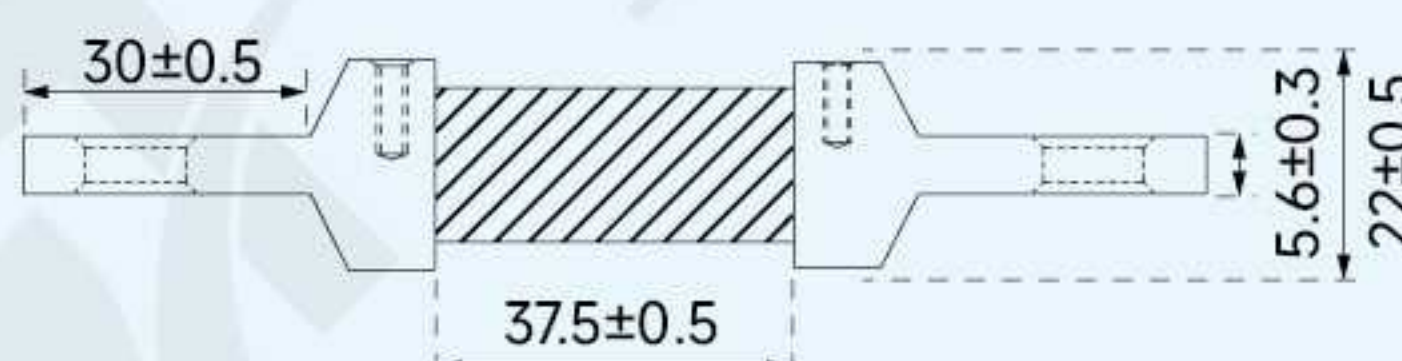
400A



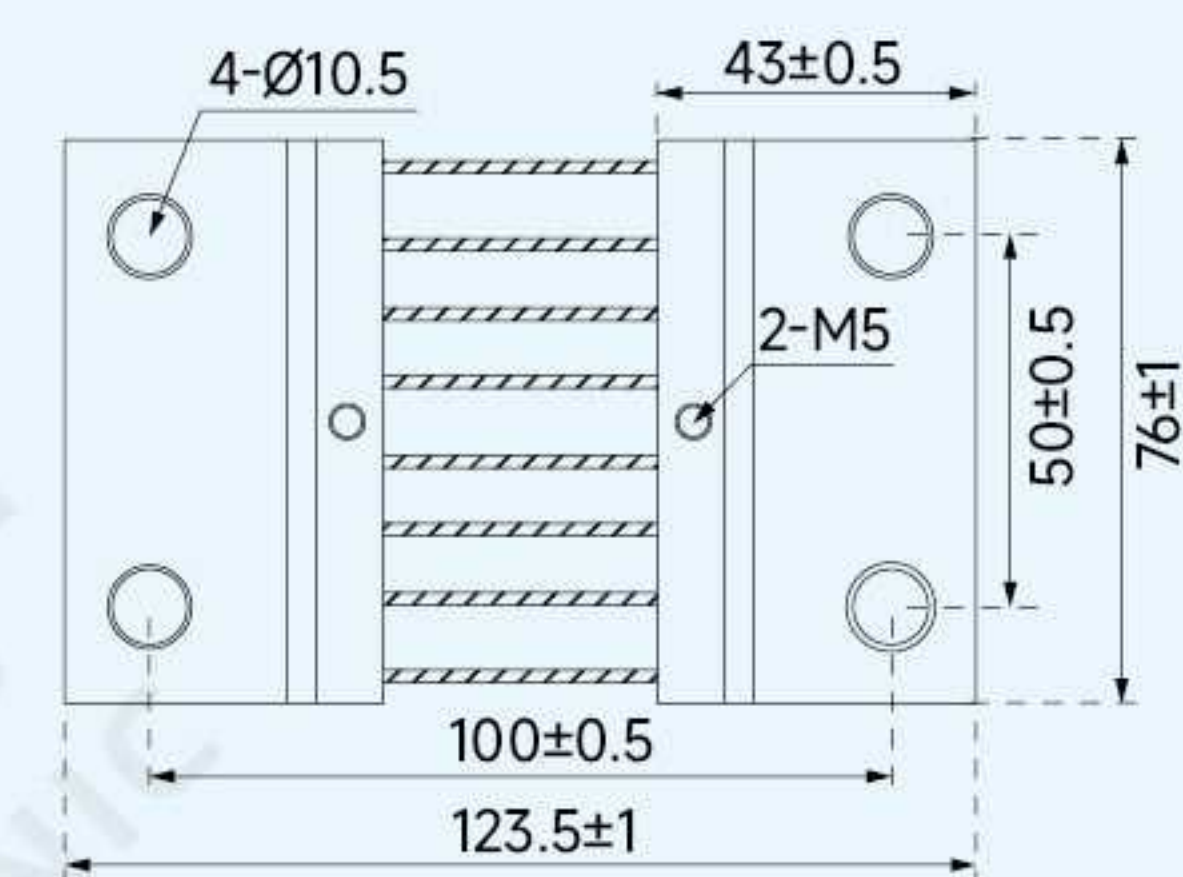
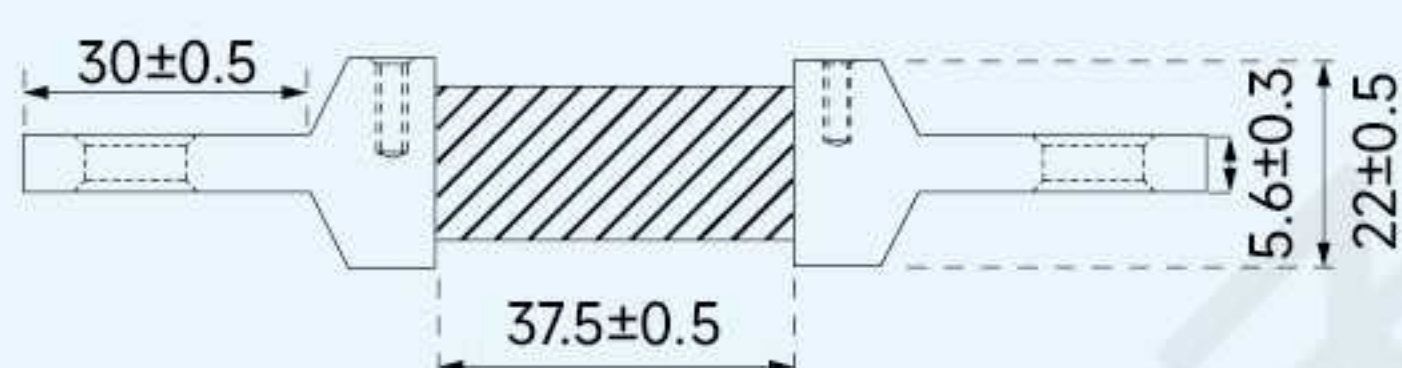
500A



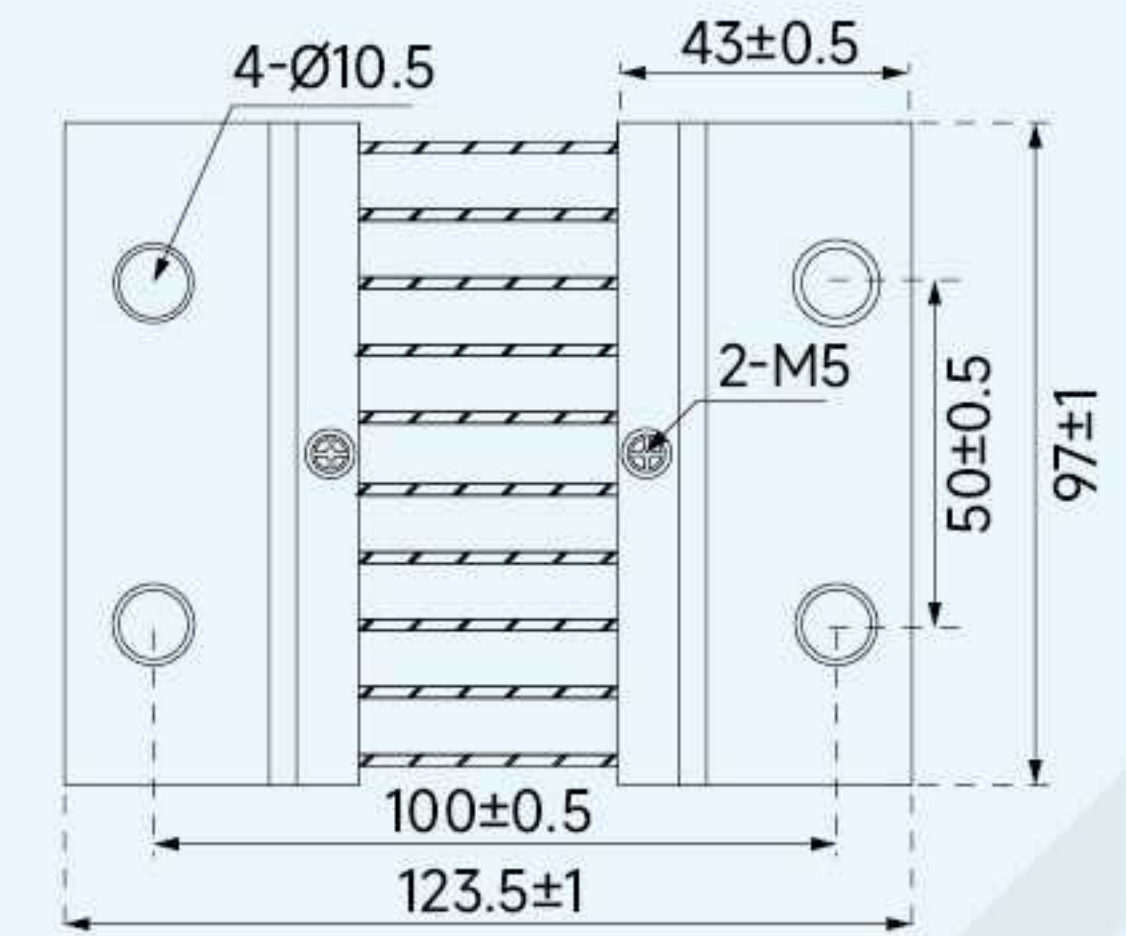
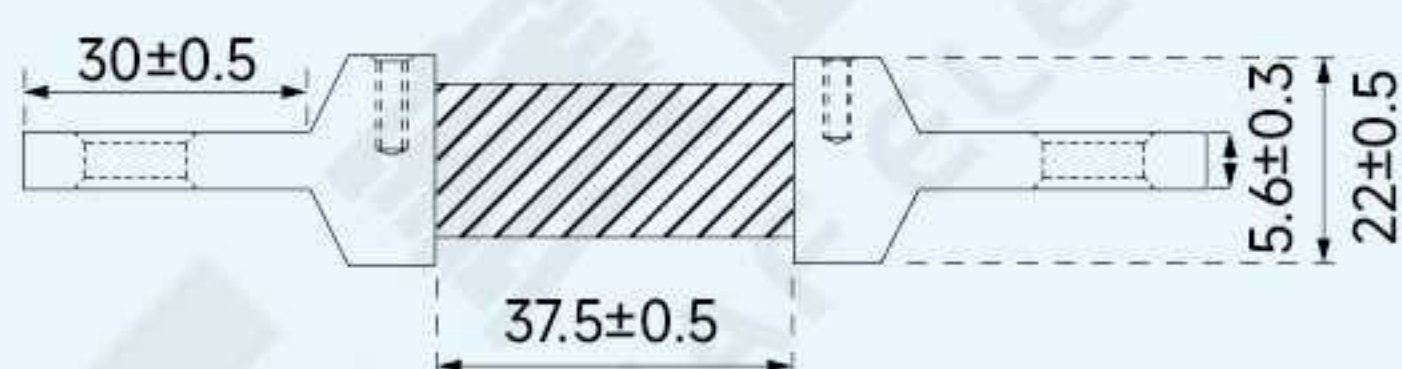
600A



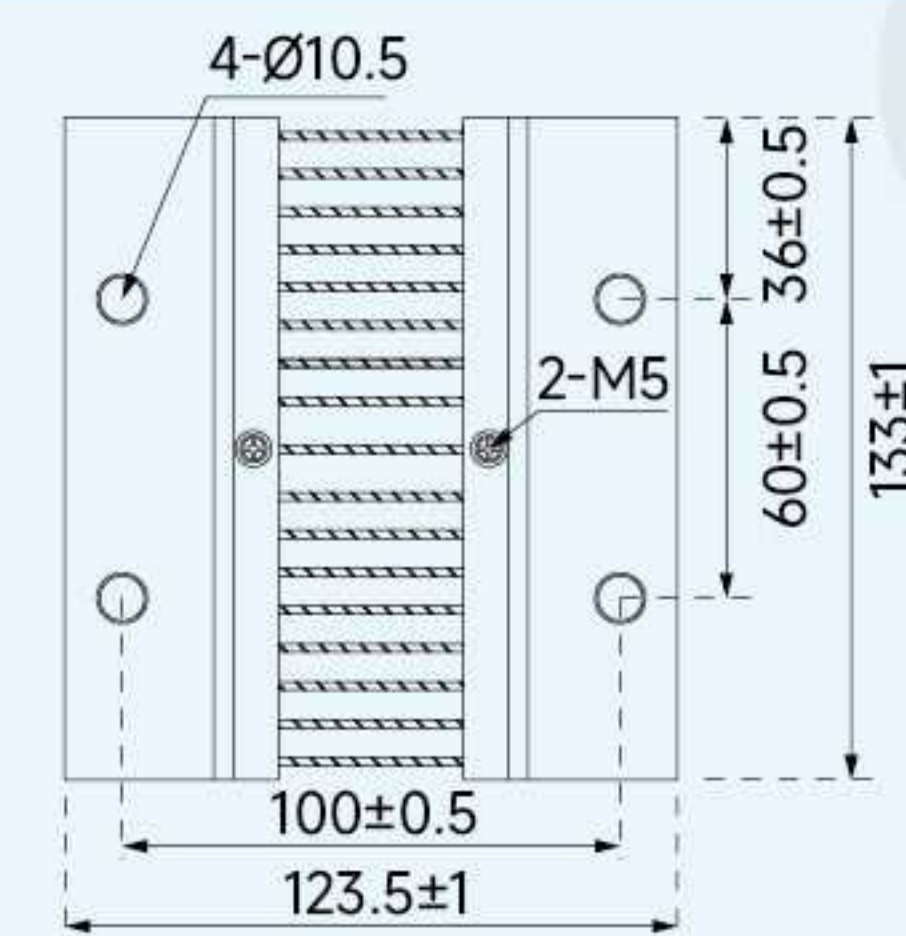
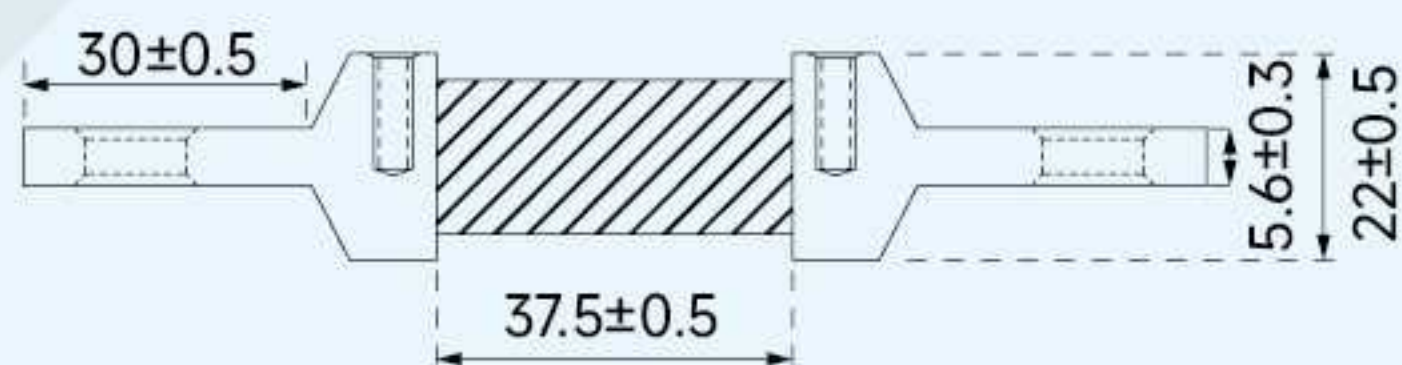
750A-800A



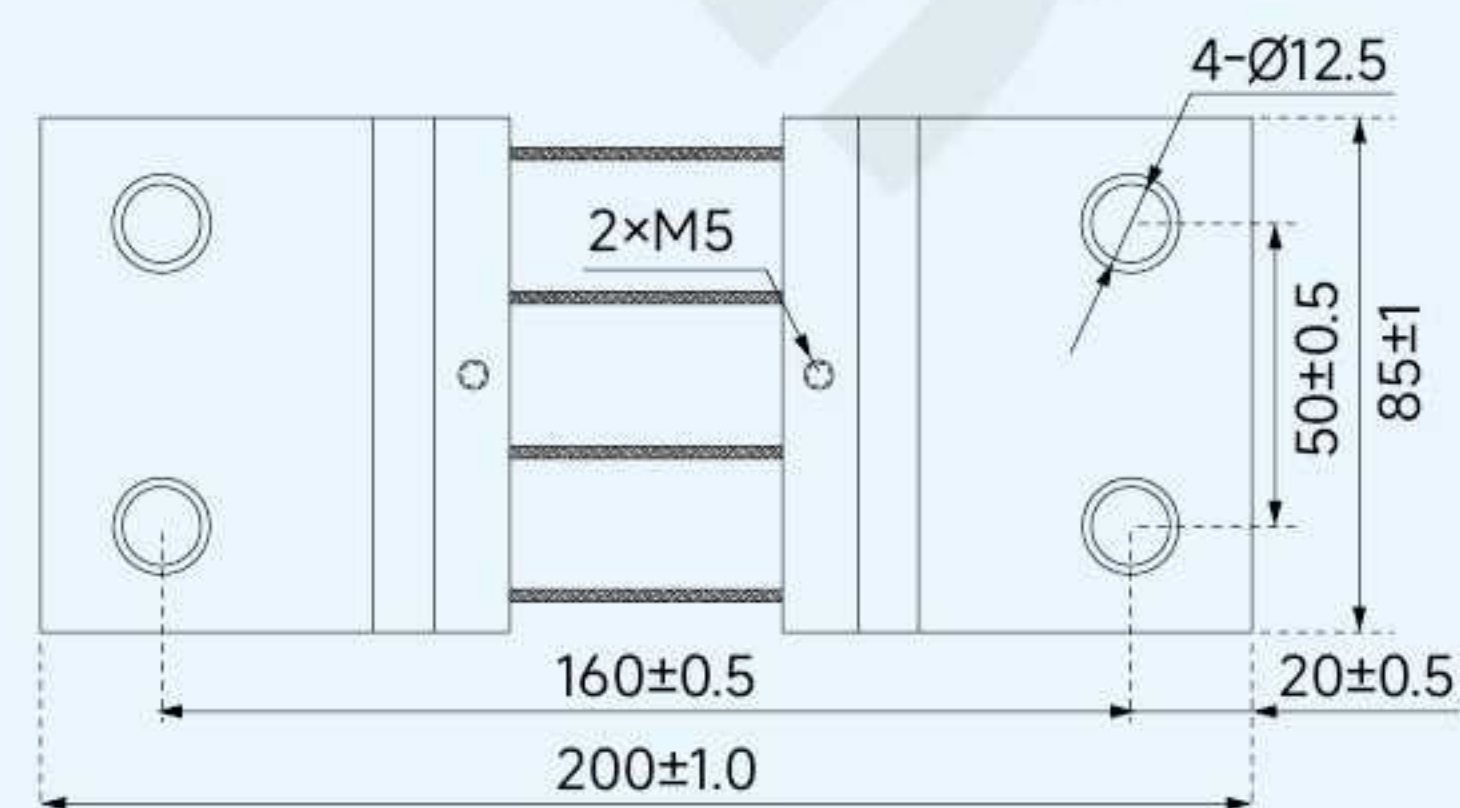
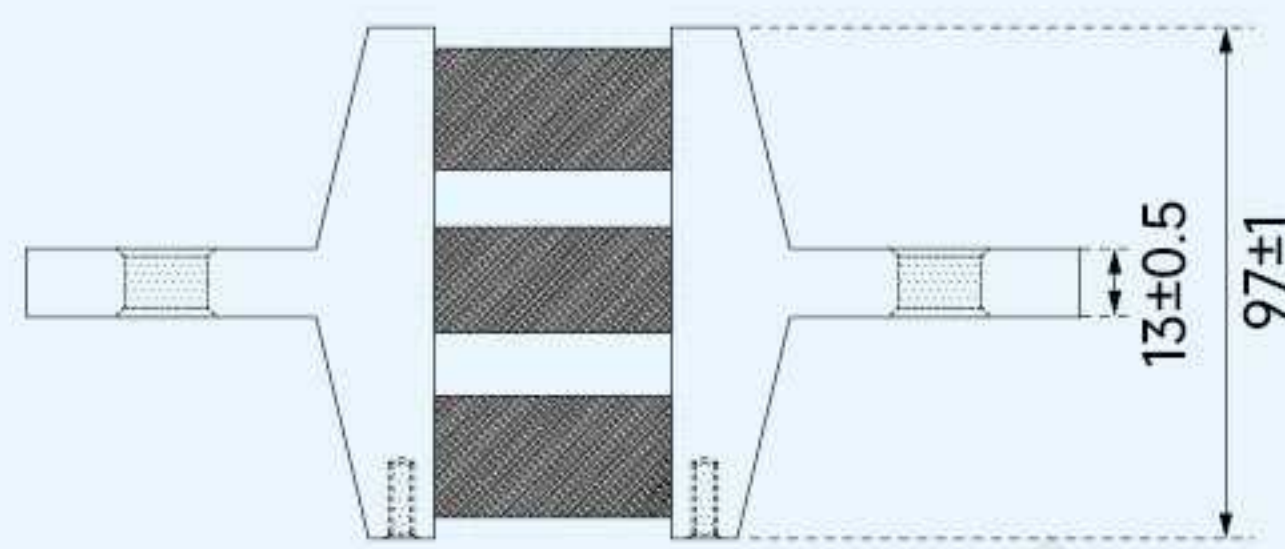
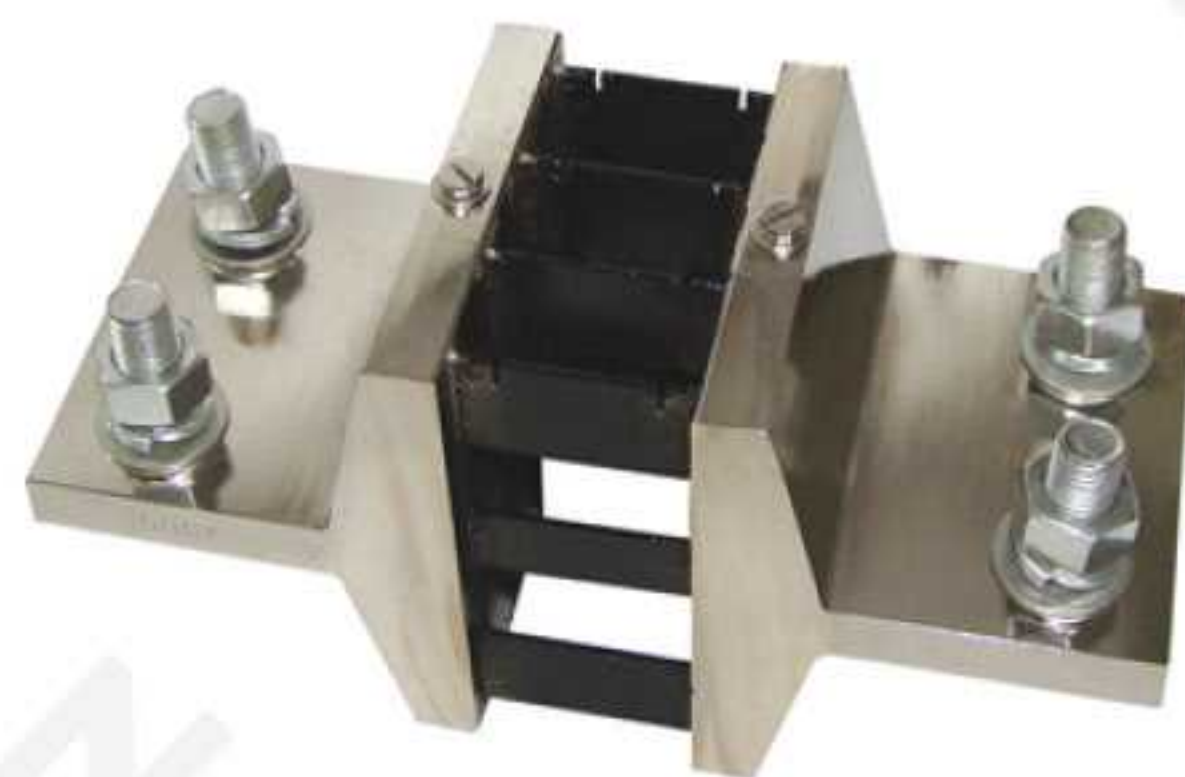
1000A



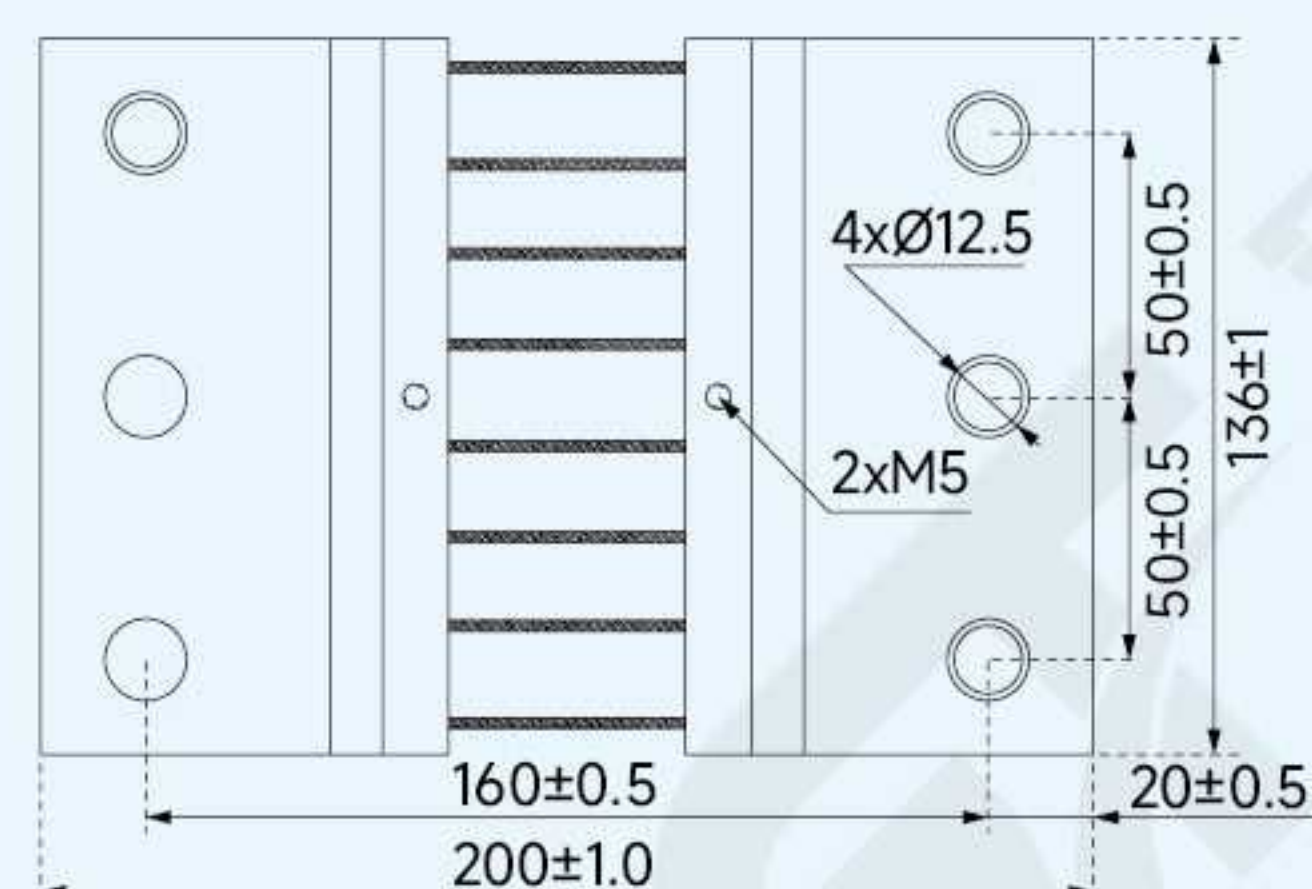
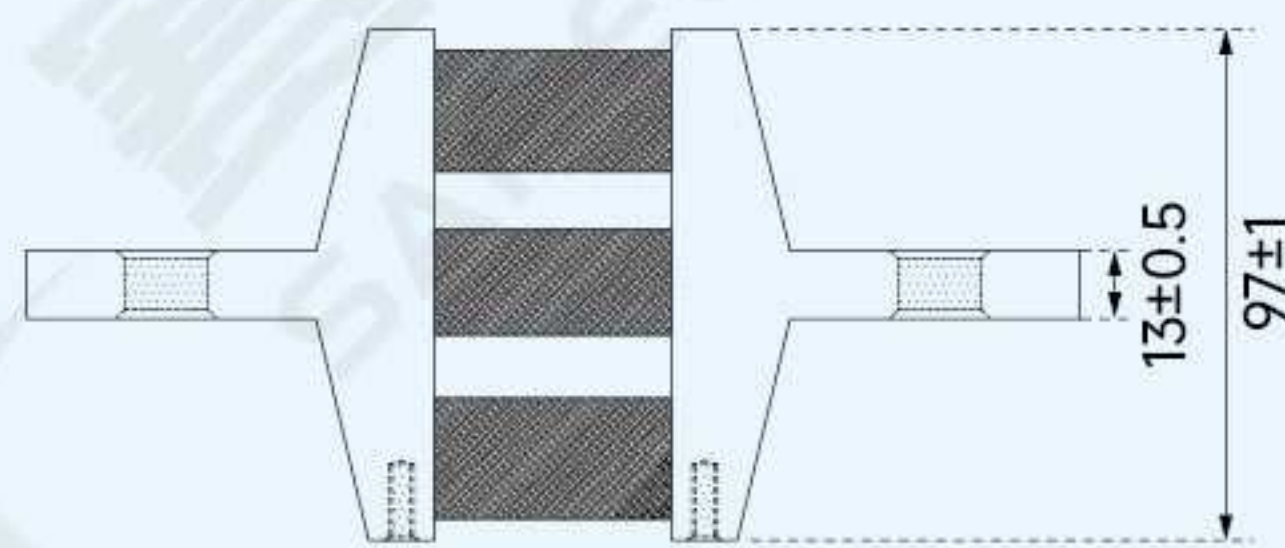
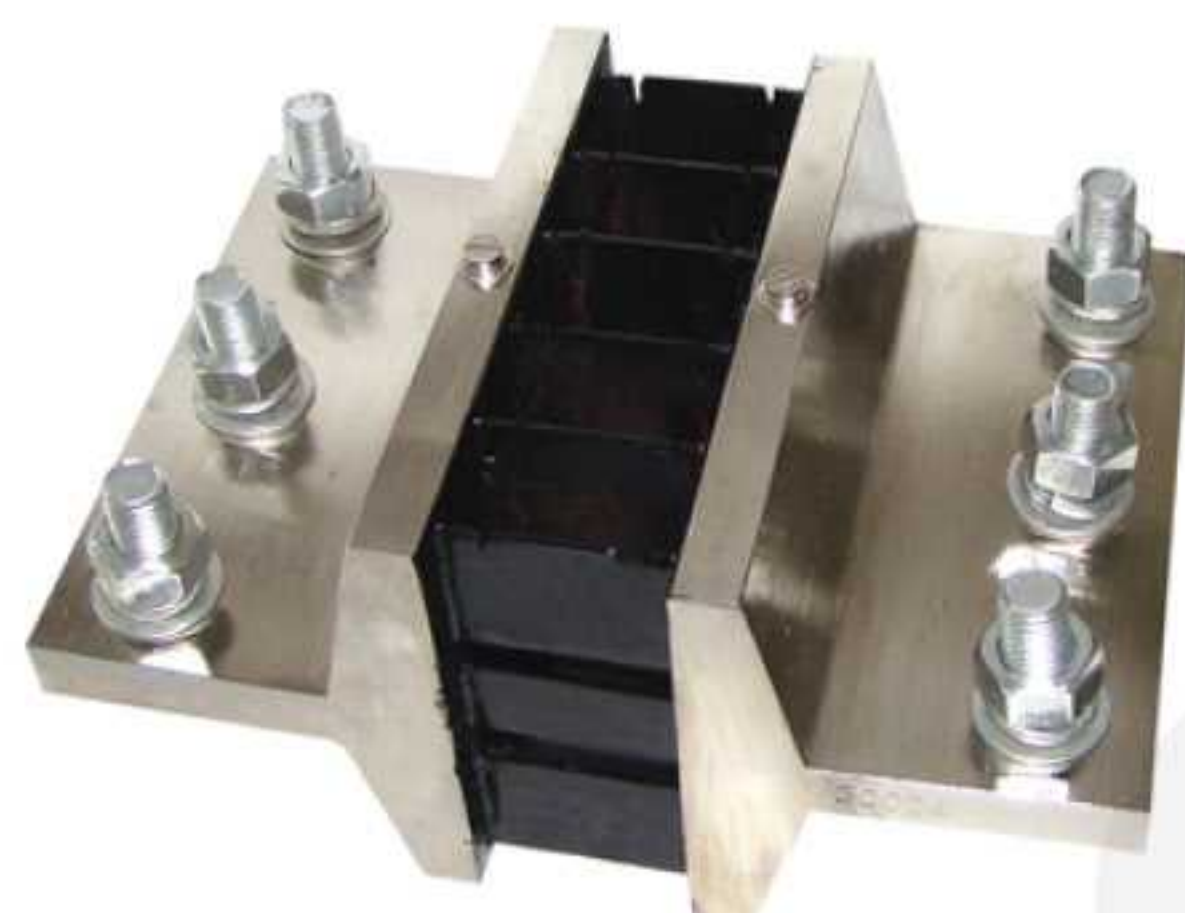
1500A (1000 型 Type)



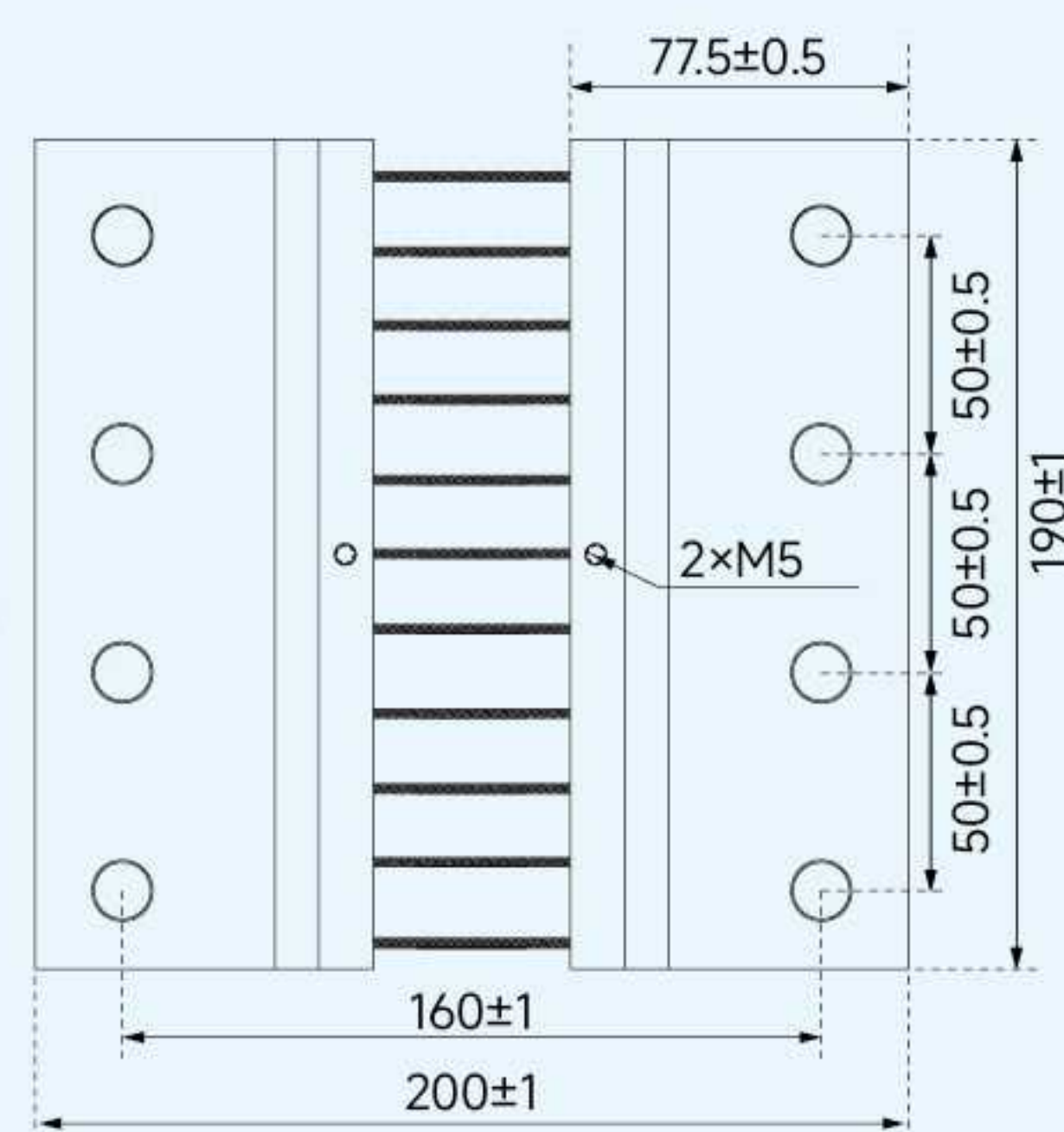
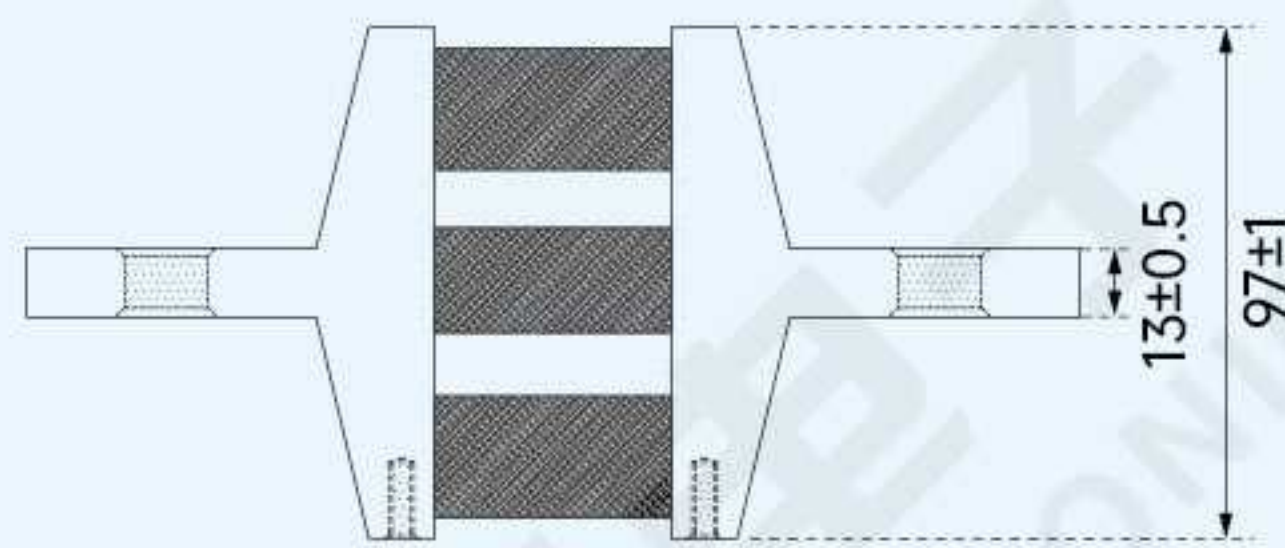
1500A 特大型 Extra large type



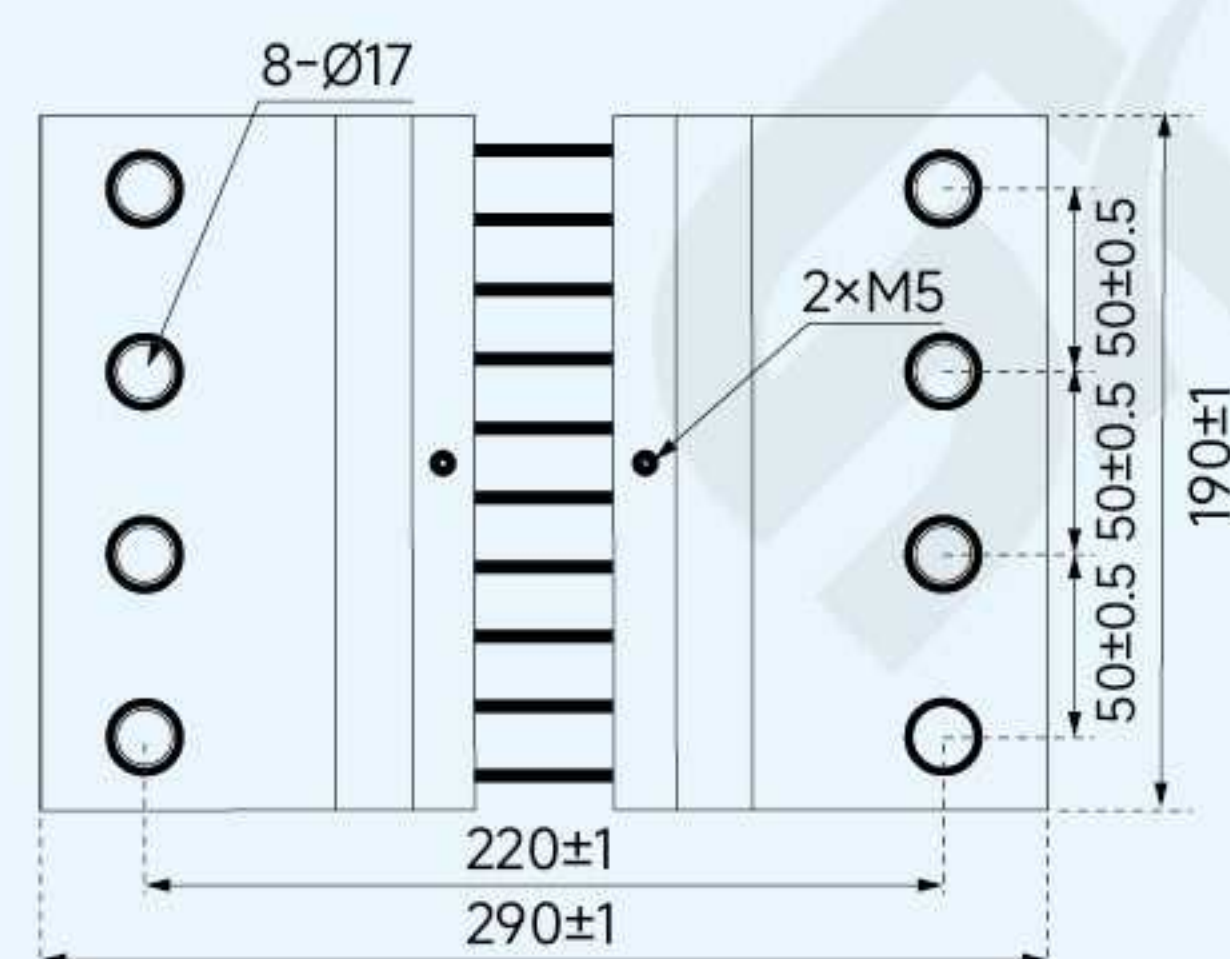
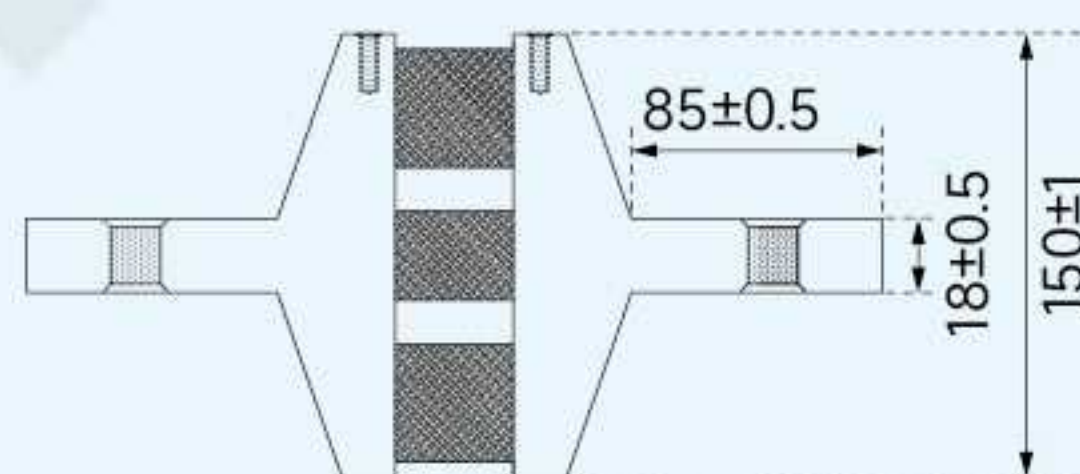
3000A 特大型 Extra large type



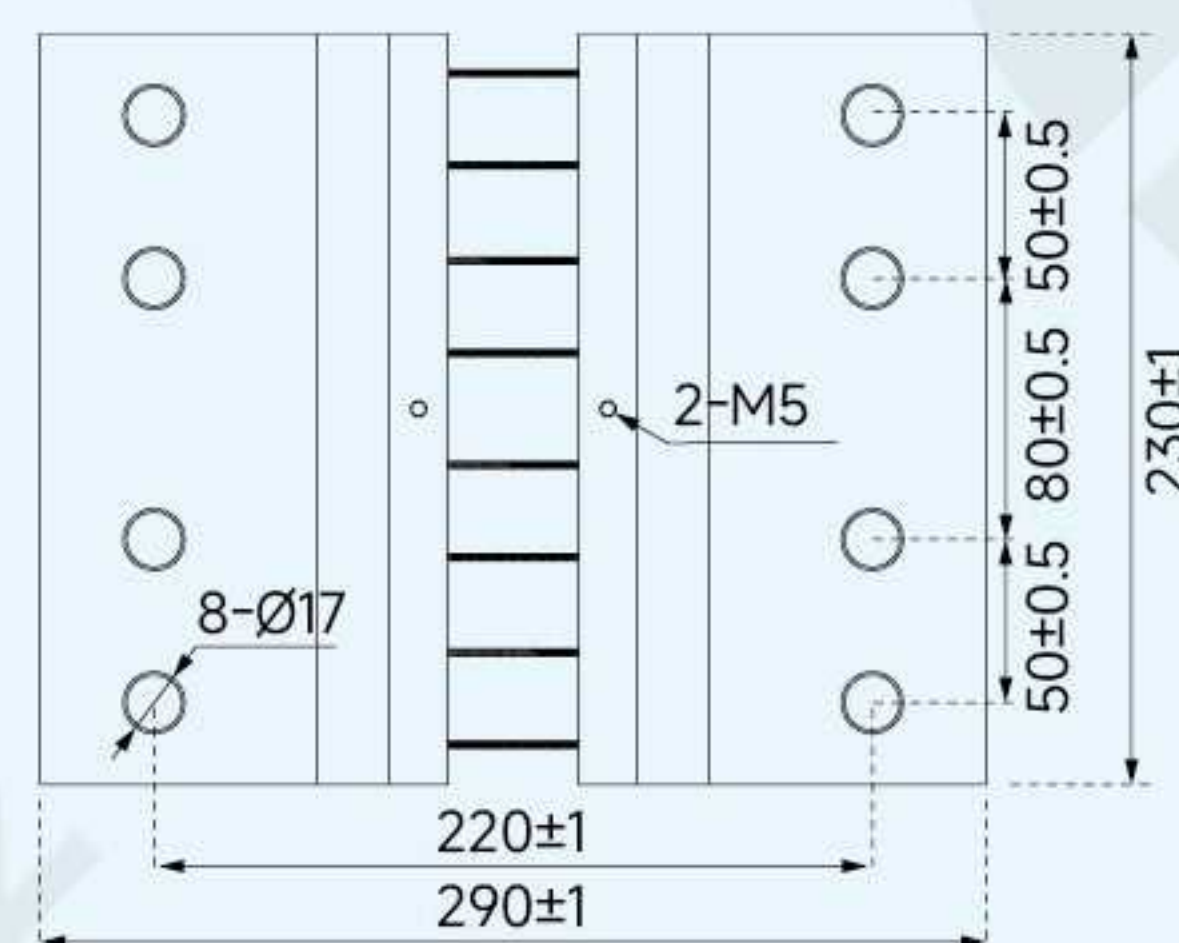
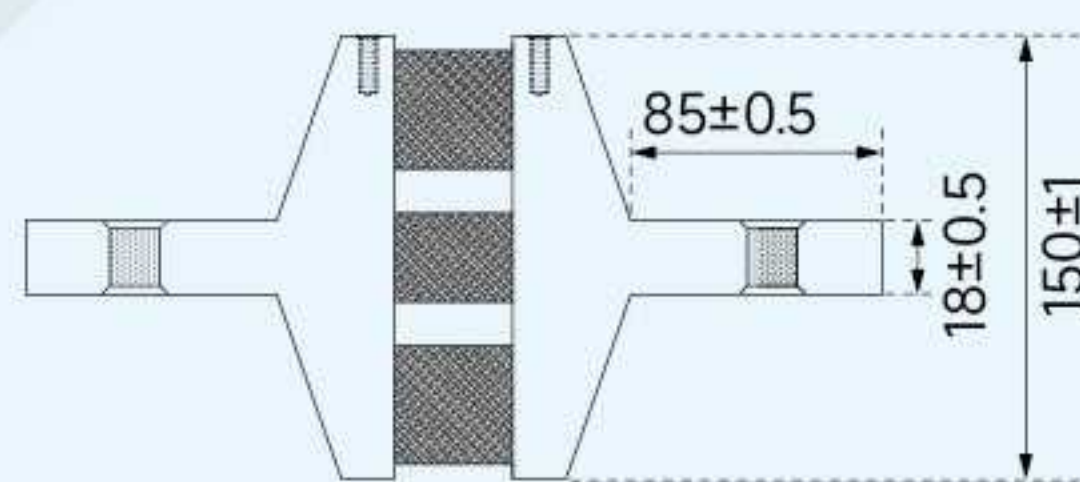
4000A 特大型 Extra large type



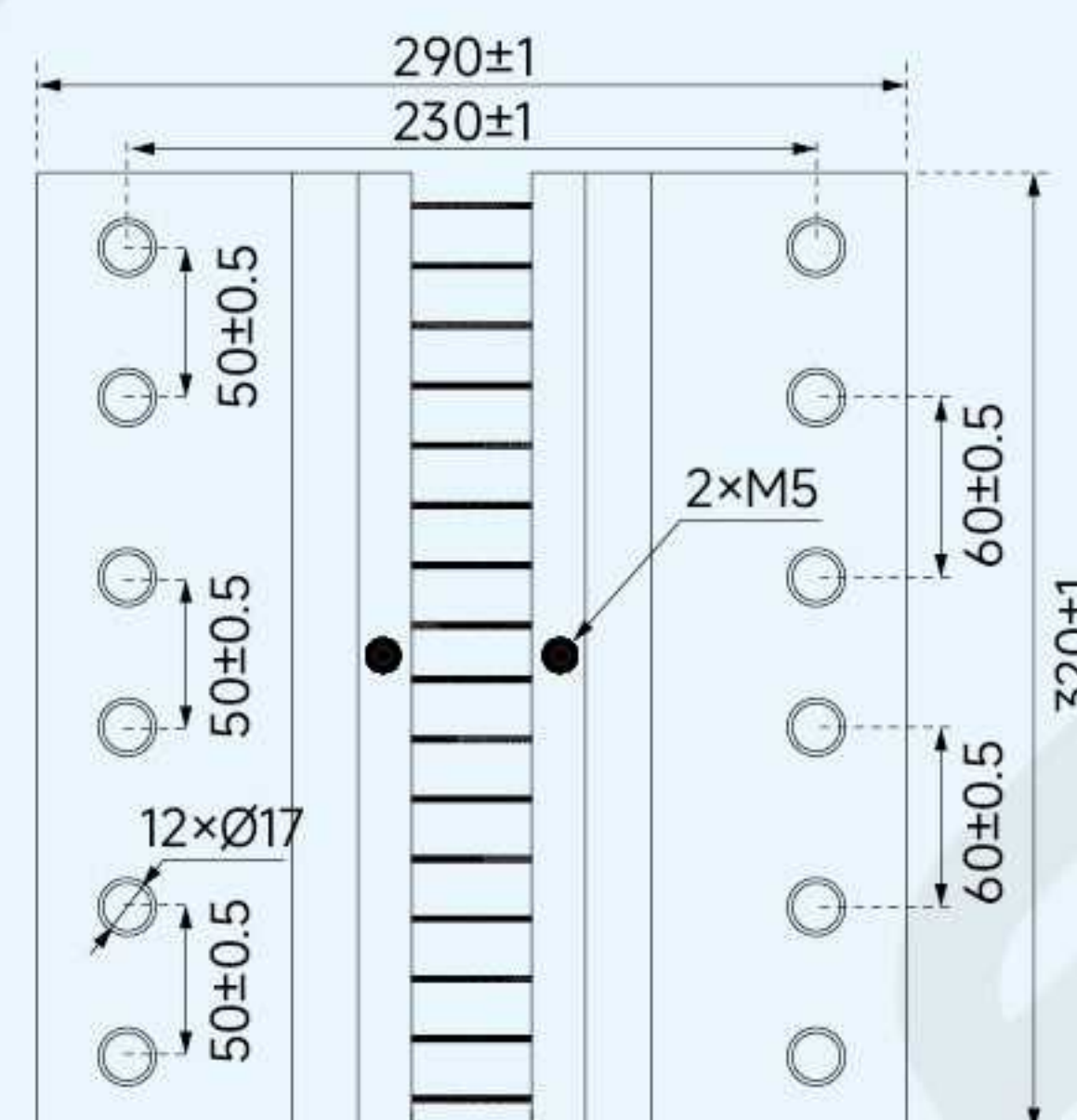
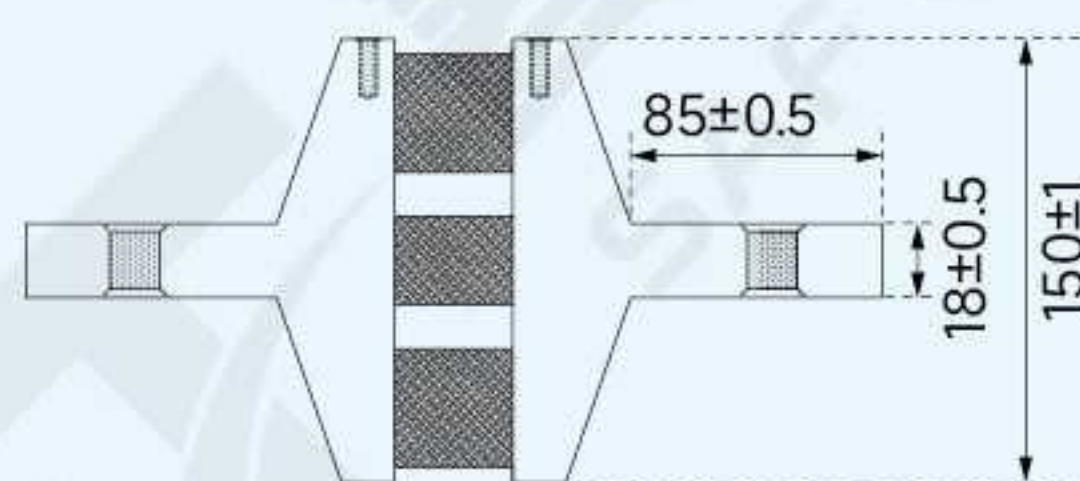
5000A 特大型 Extra large type



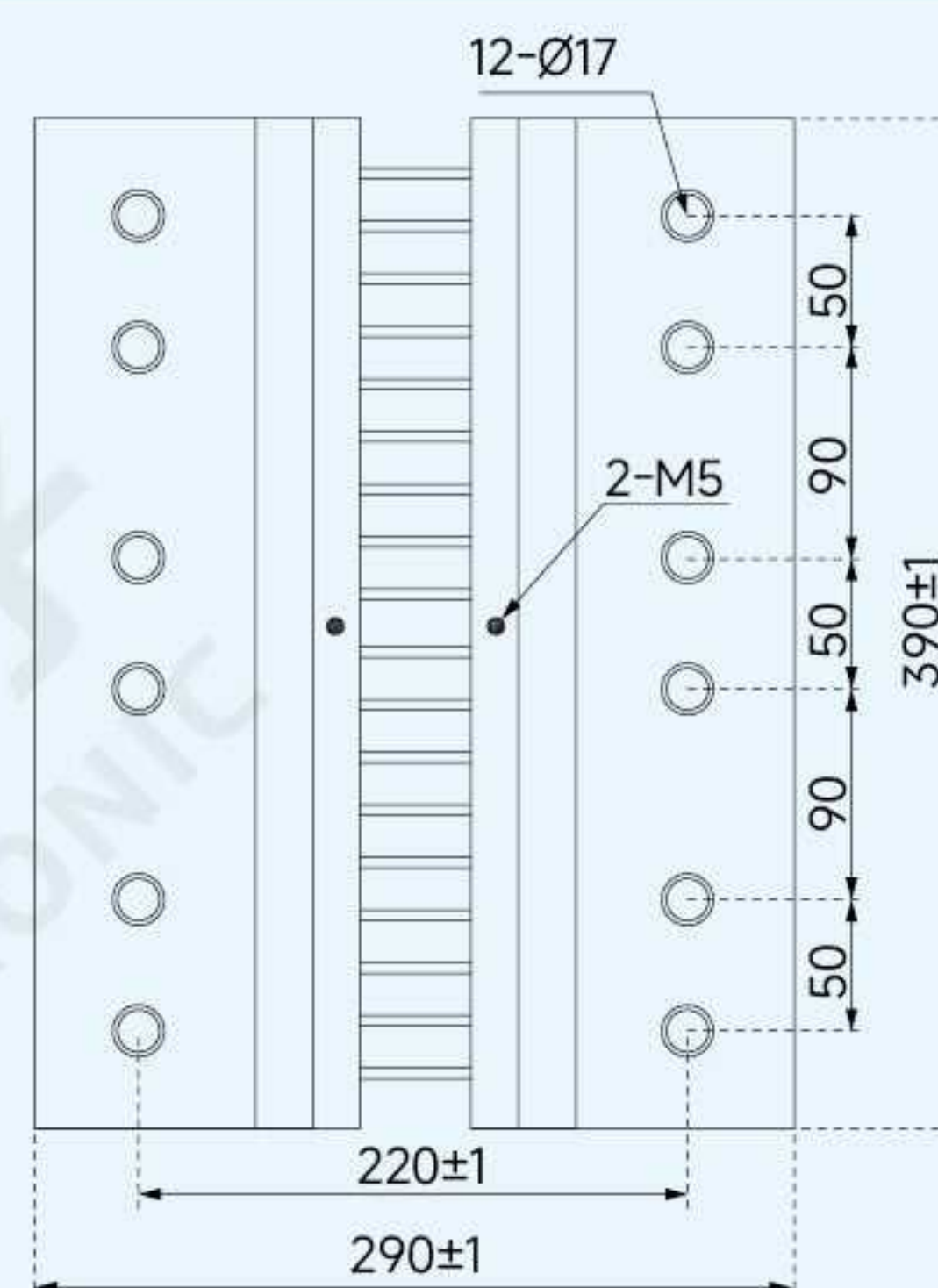
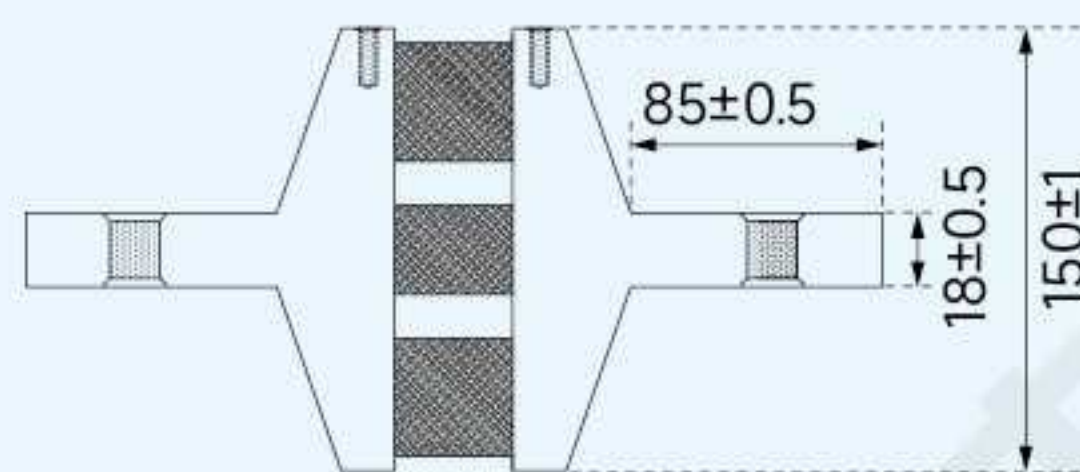
6000A 特大型 Extra large type



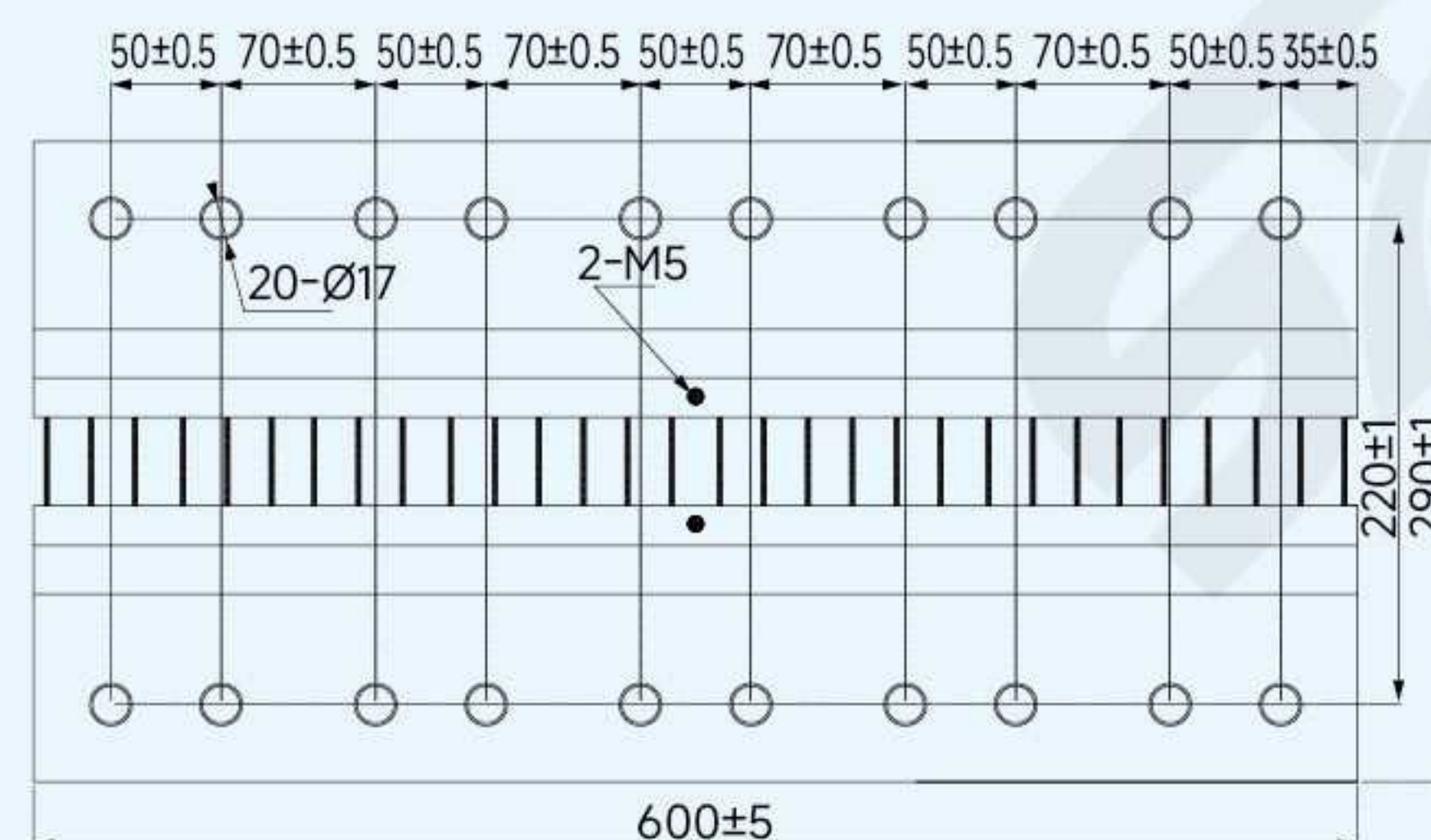
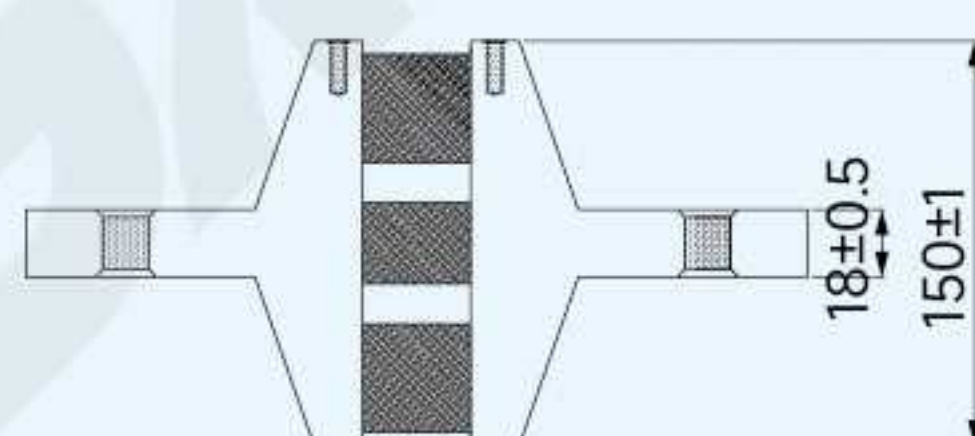
7500A 特大型 Extra large type



10000A 特大型 Extra large type



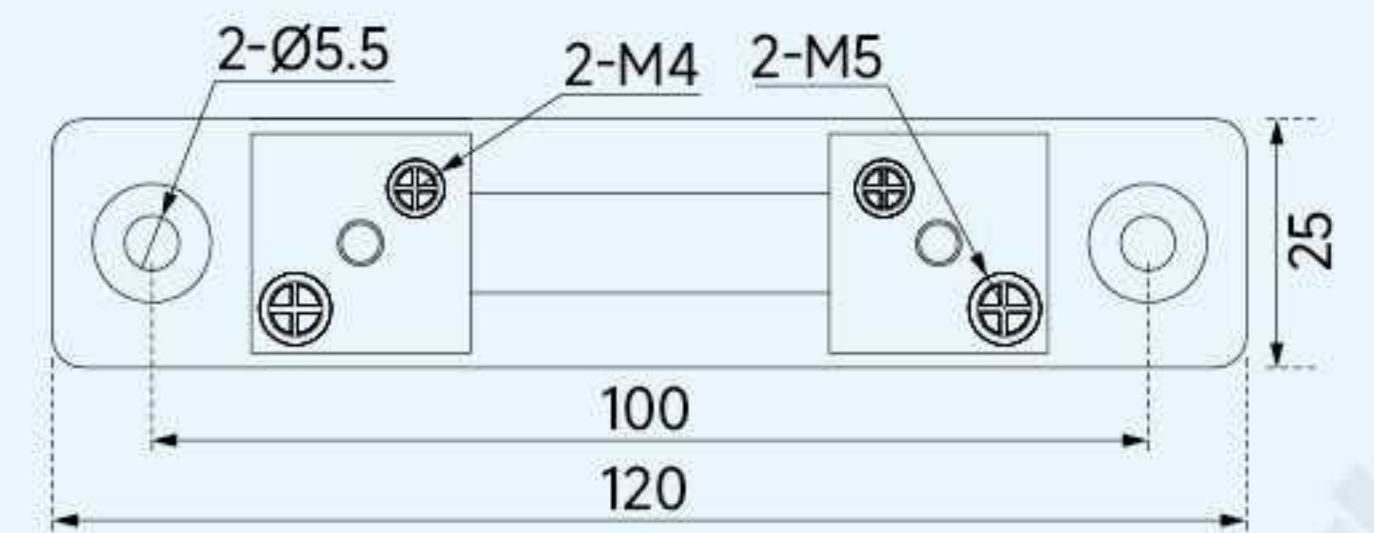
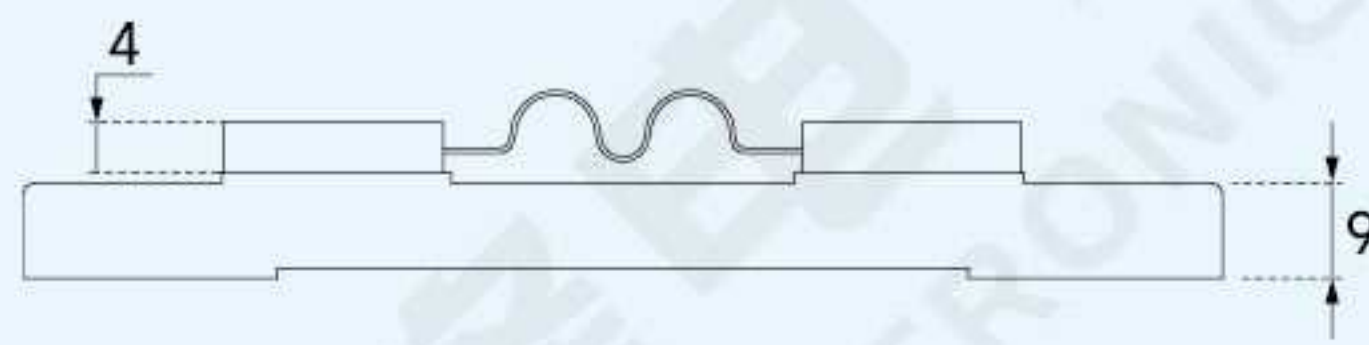
15000A 特大型 Extra large type



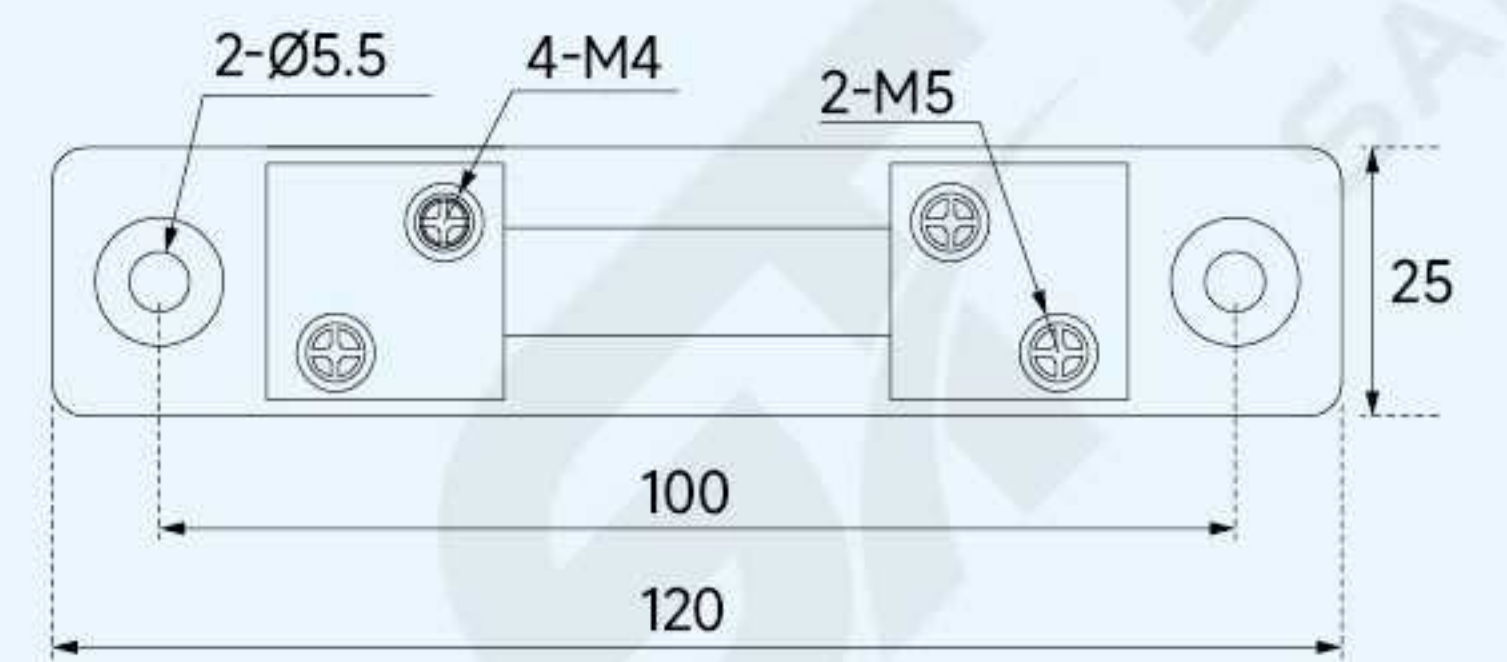
FL-2B TYPE DC SHUNT

FL-2B 型

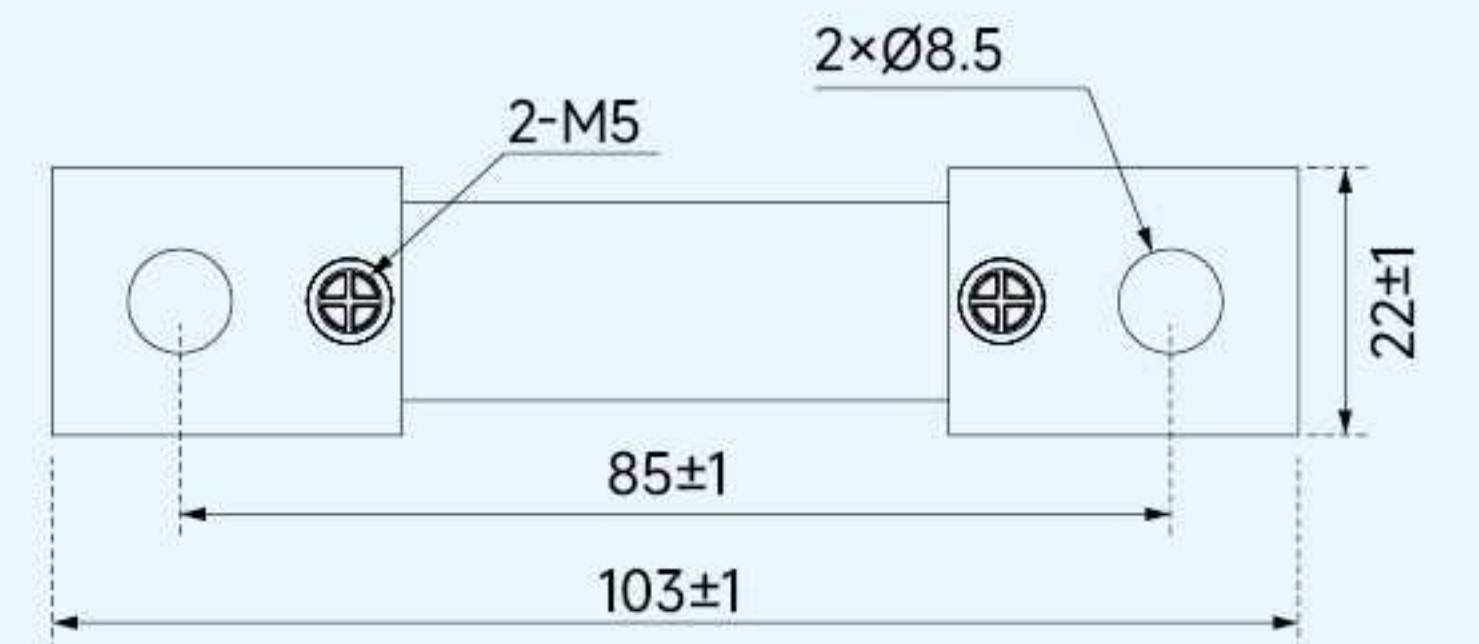
1A-25A



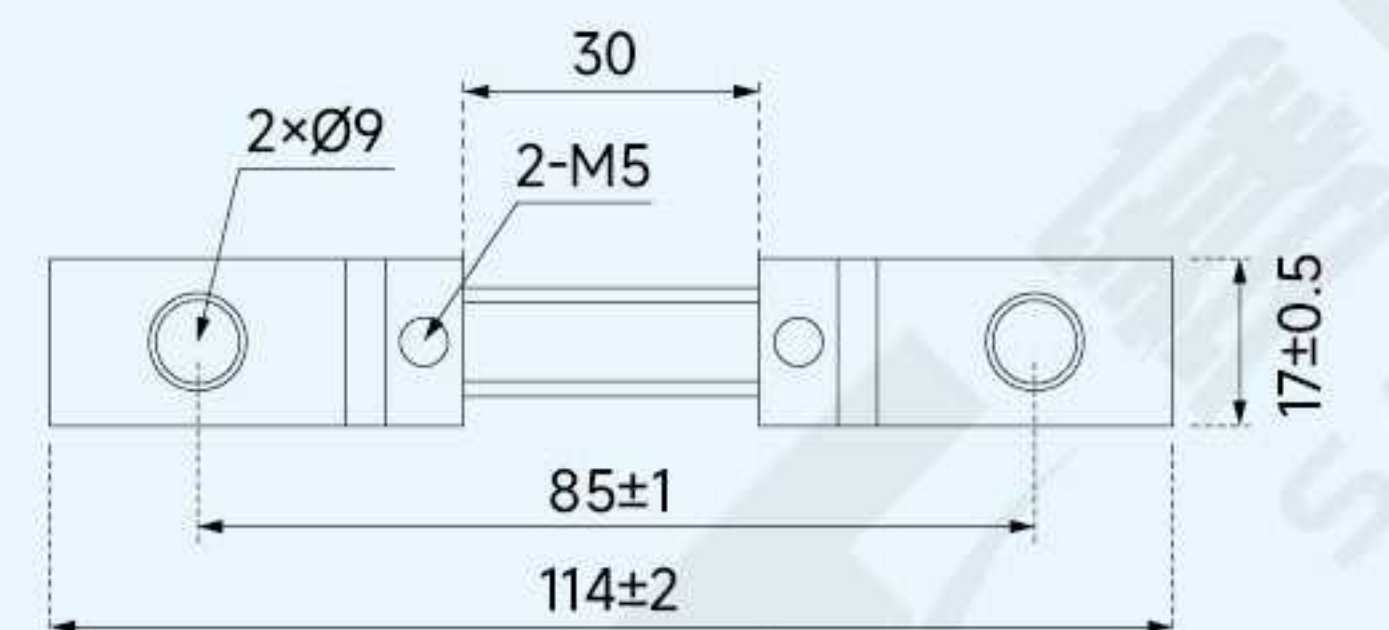
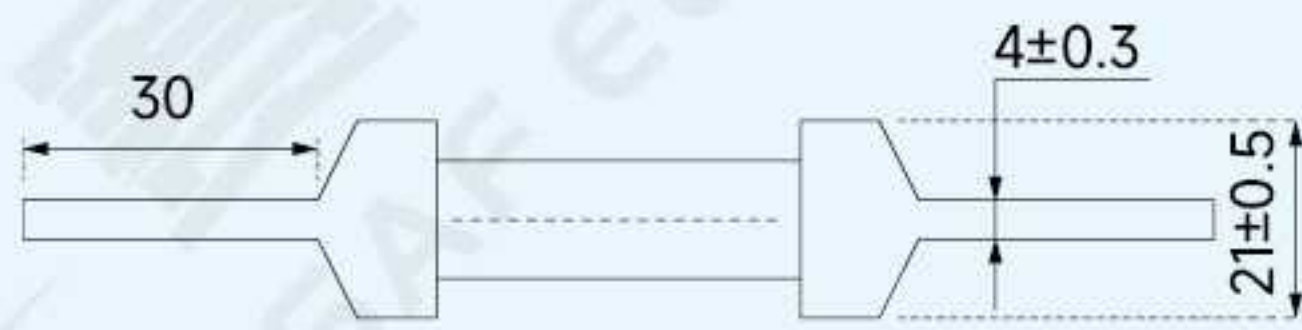
30A-60A



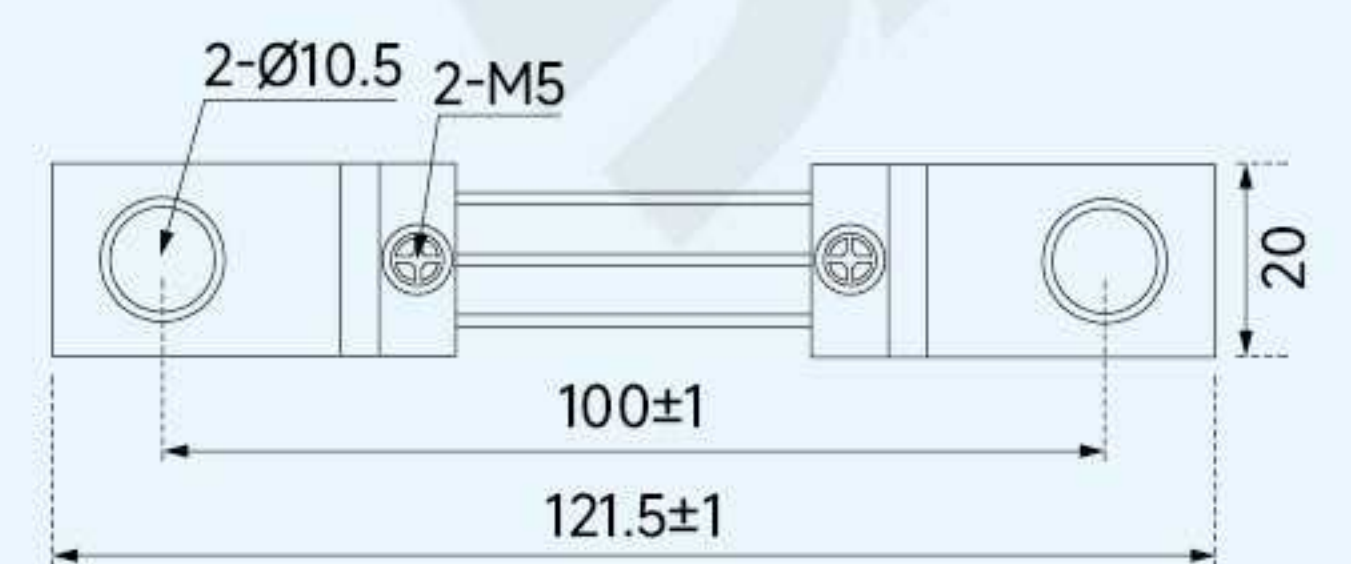
75A-100A



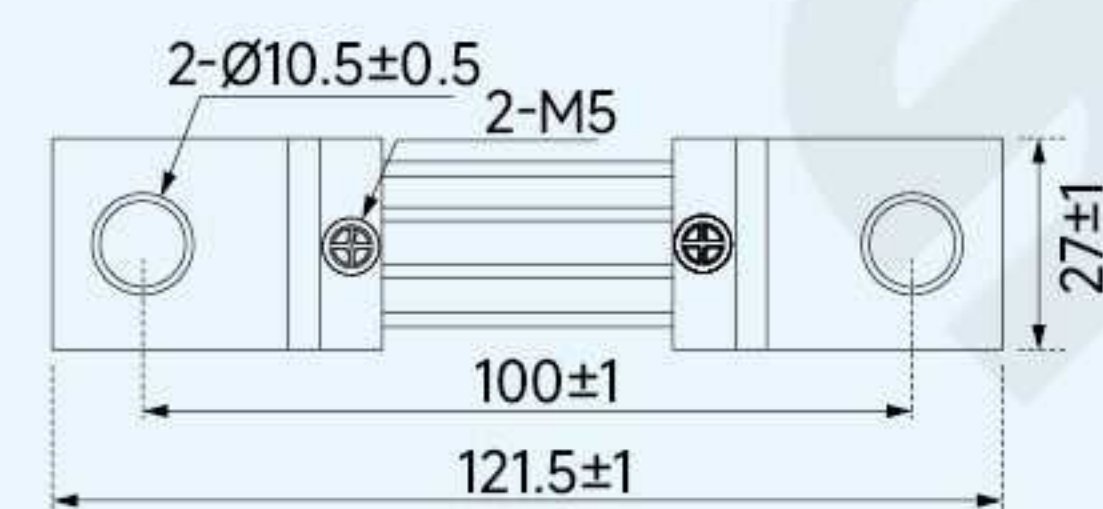
150A-250A



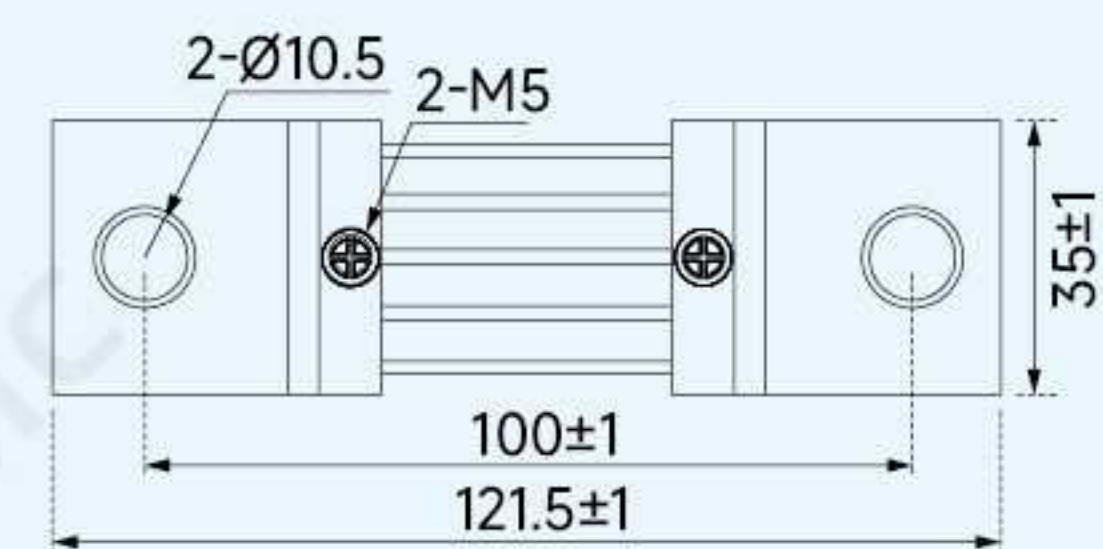
300A



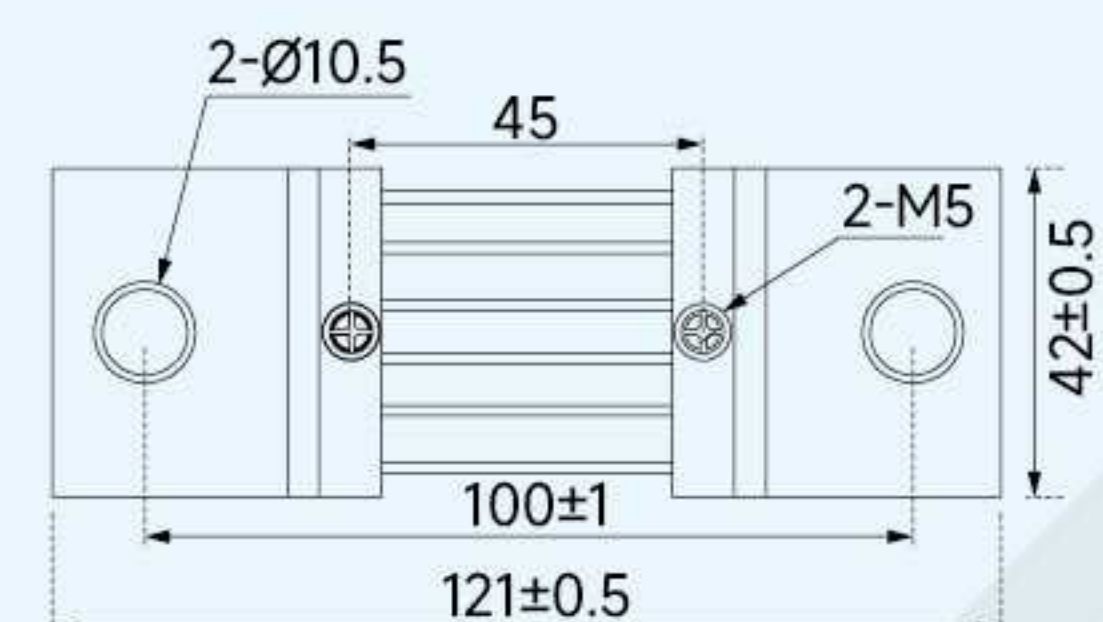
400A



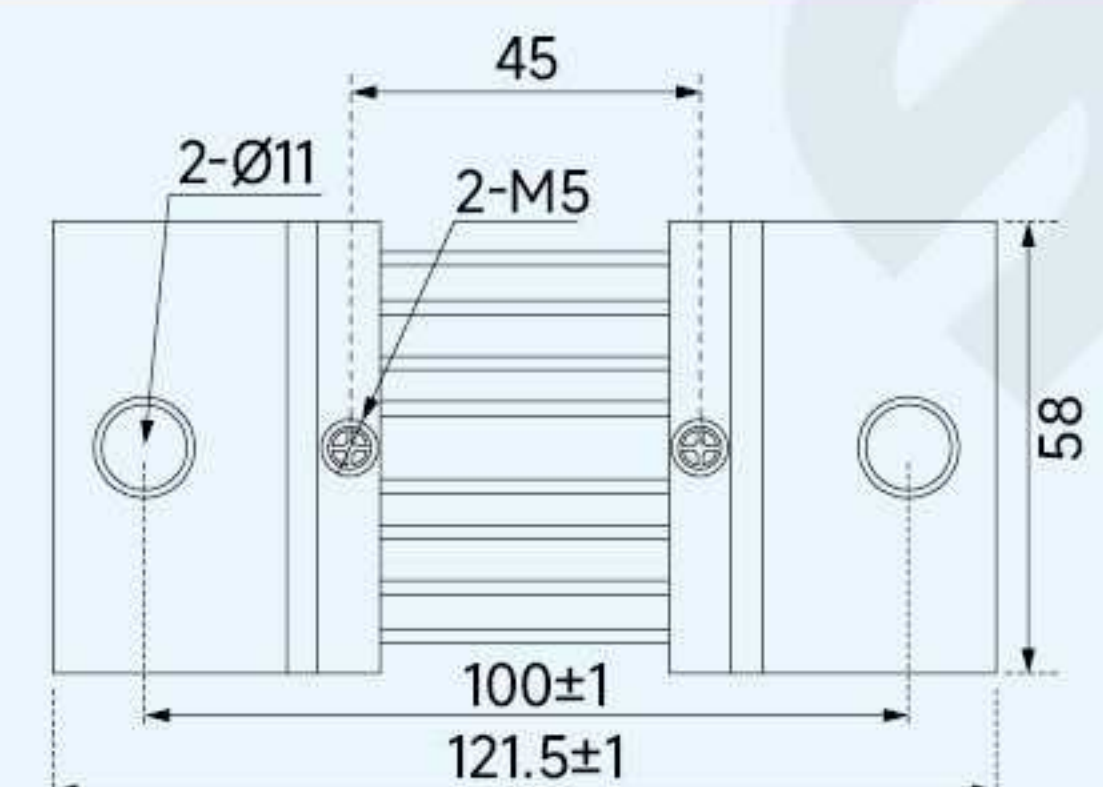
500A



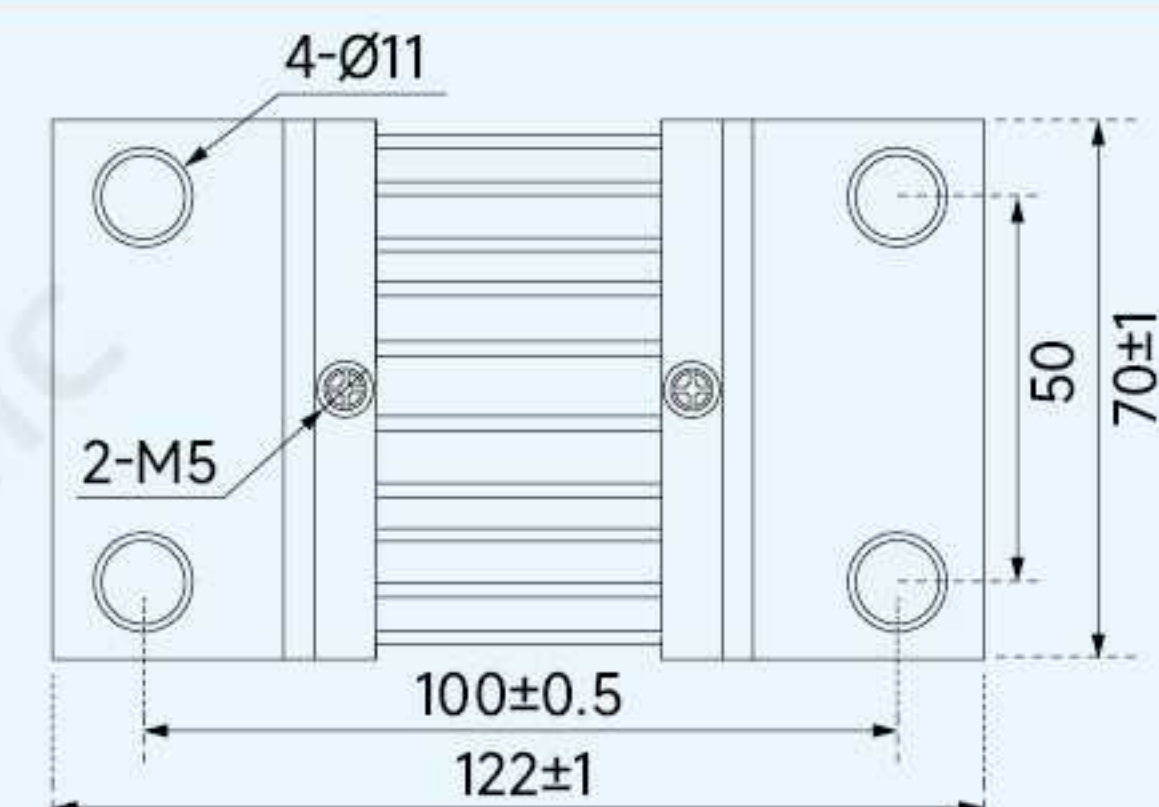
600A



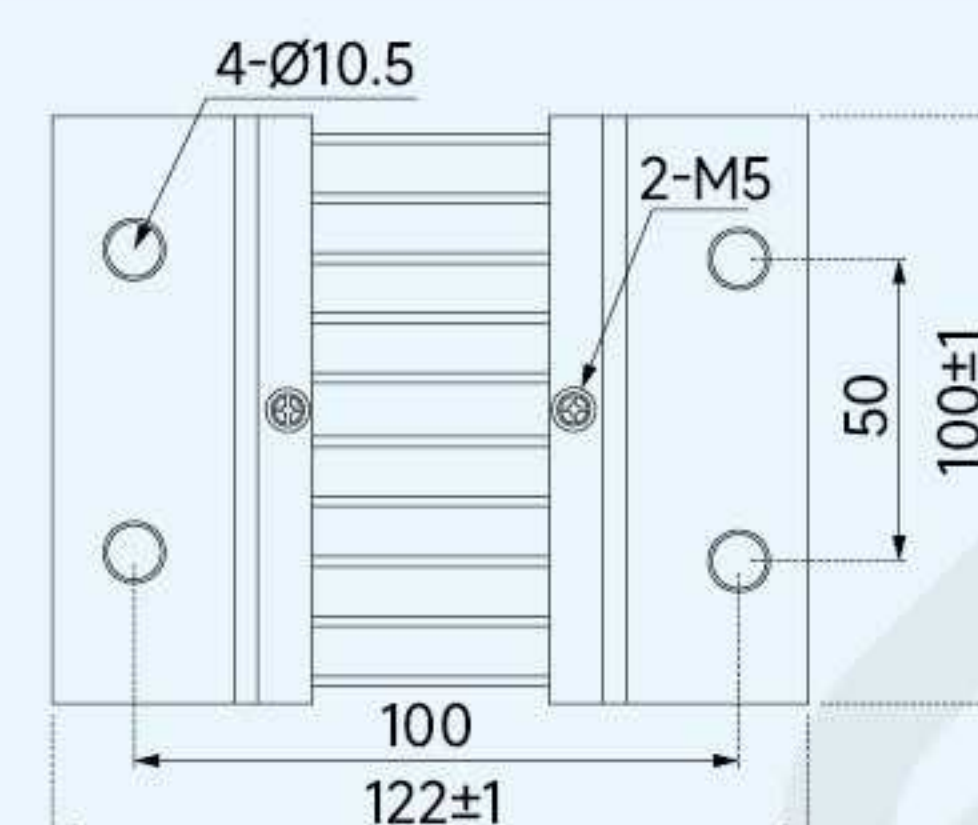
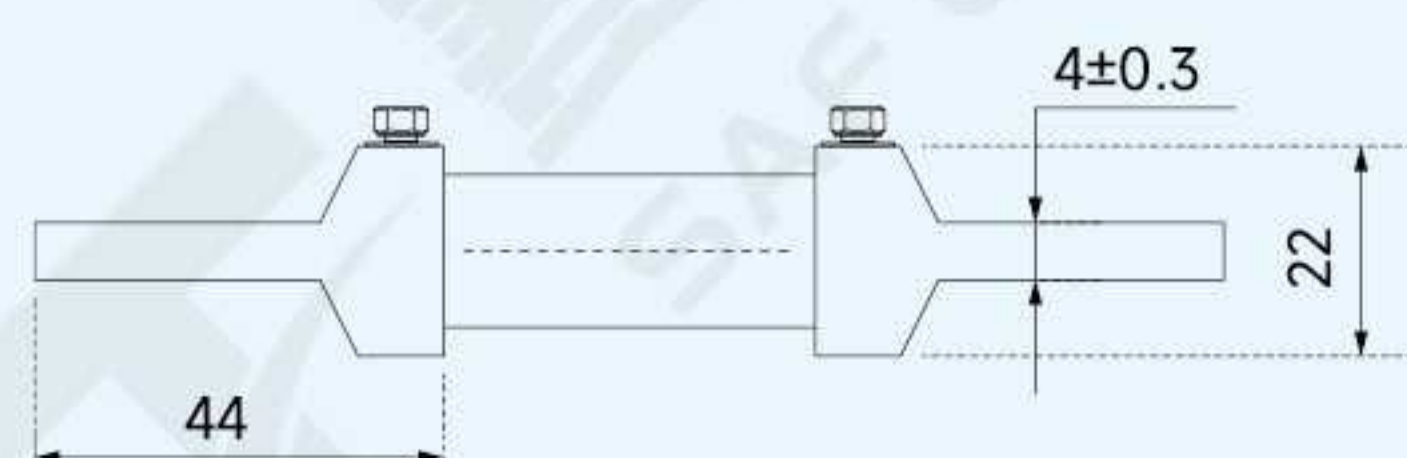
750A-800A



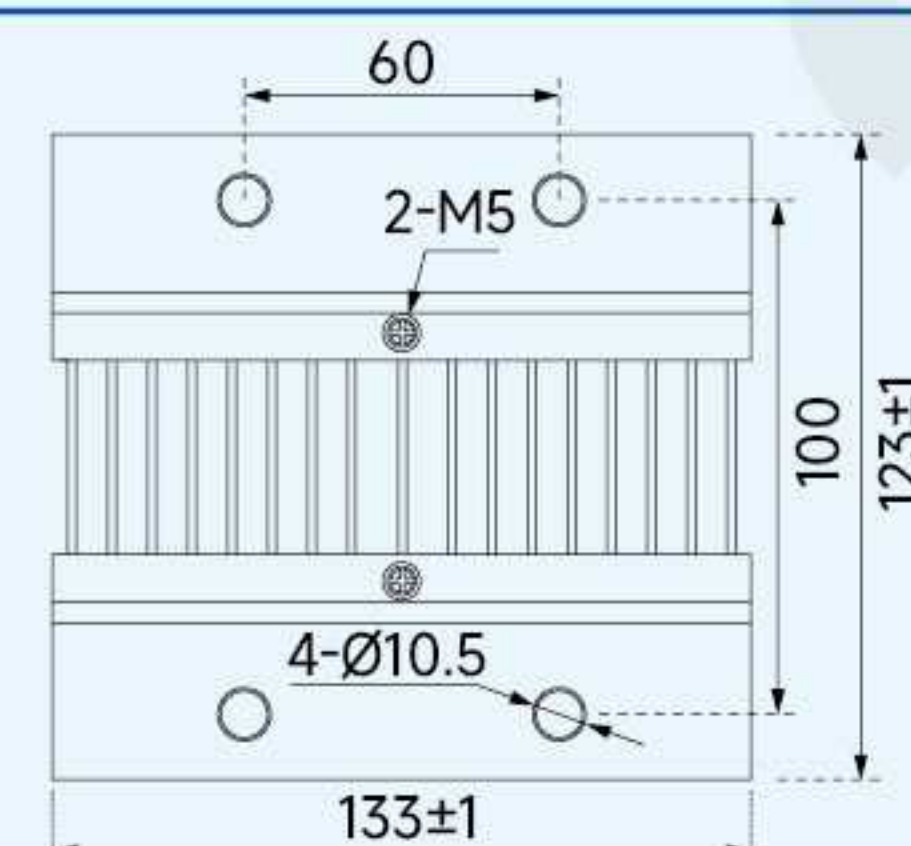
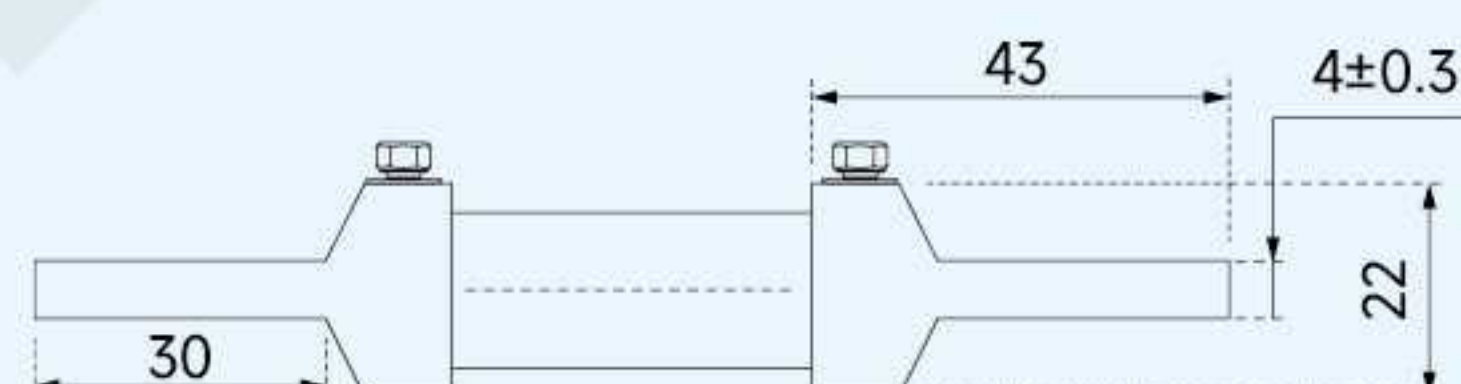
1000A



1500A 小



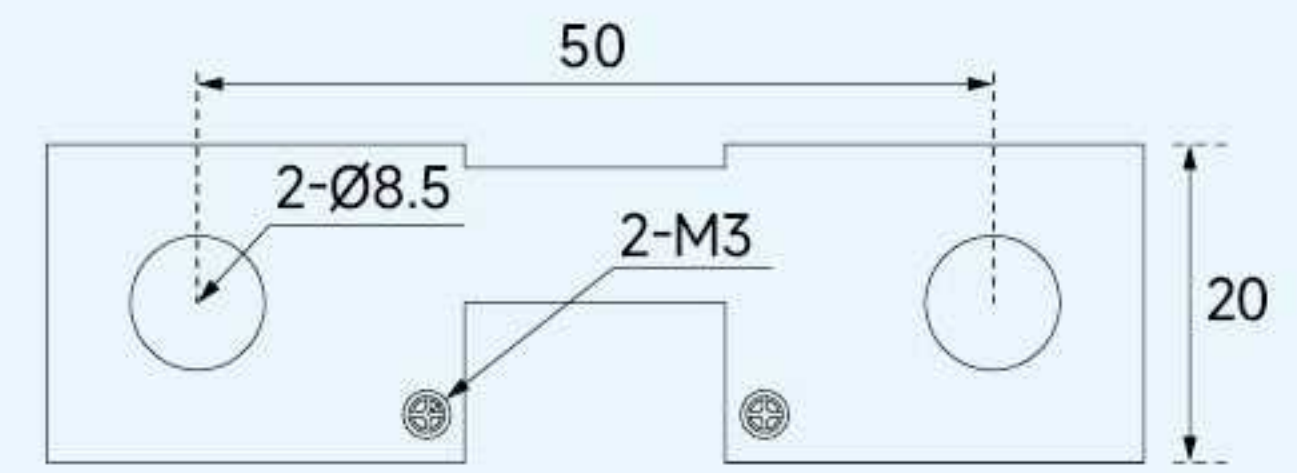
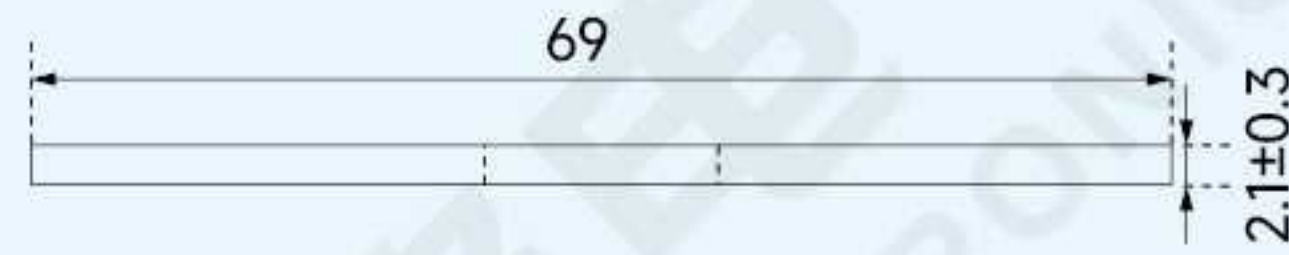
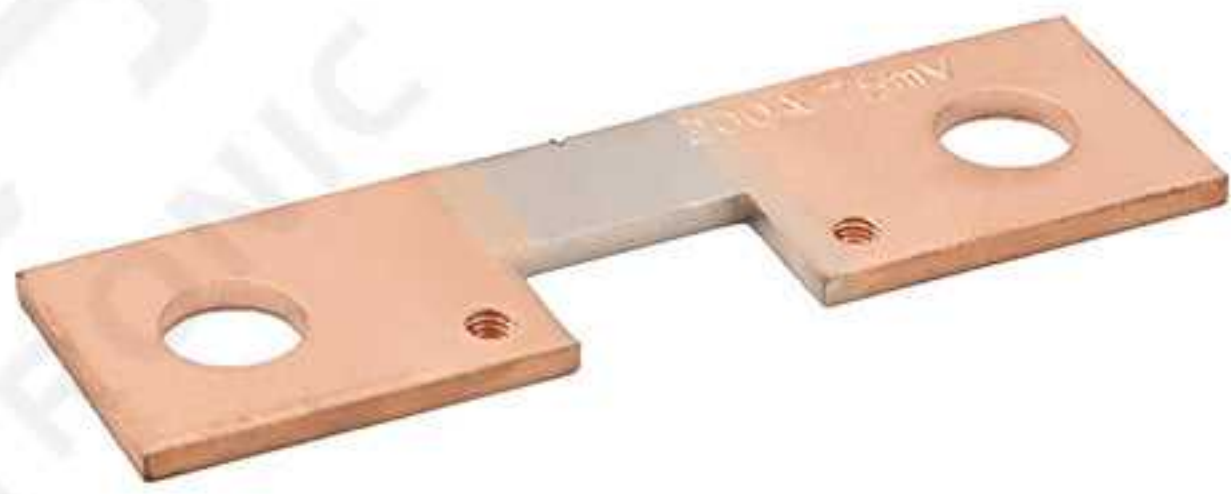
1500A 大



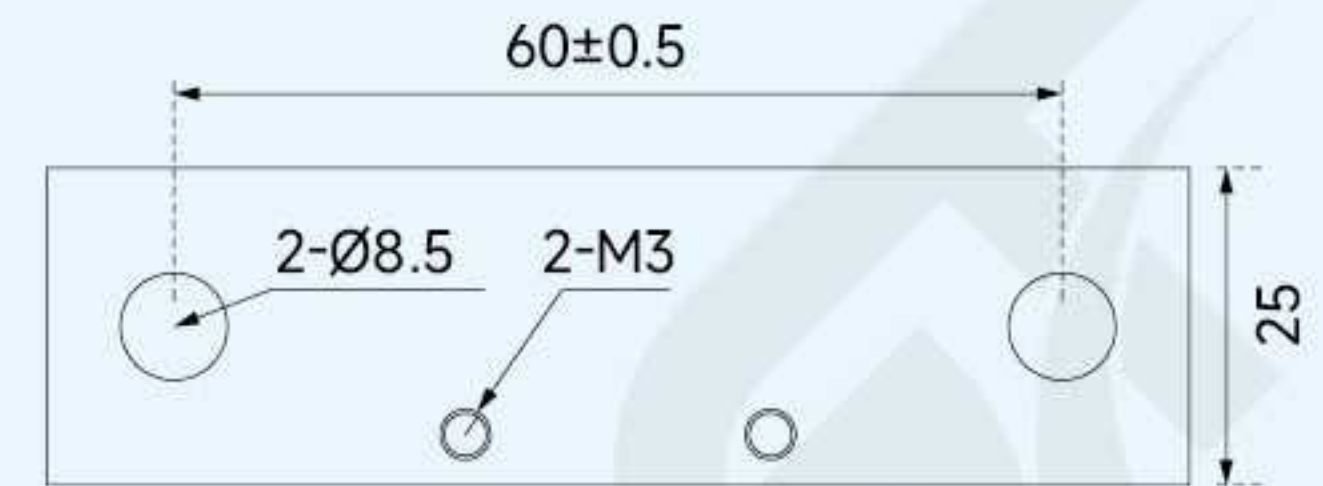
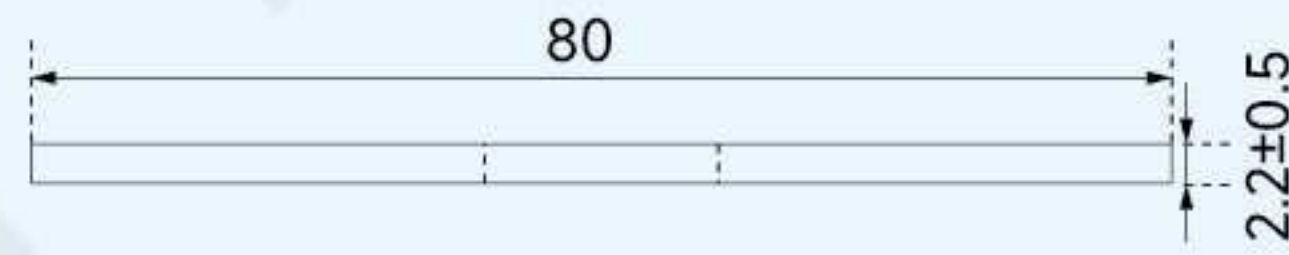
FL-PATENT TYPE DC SHUNT

FL-P 型

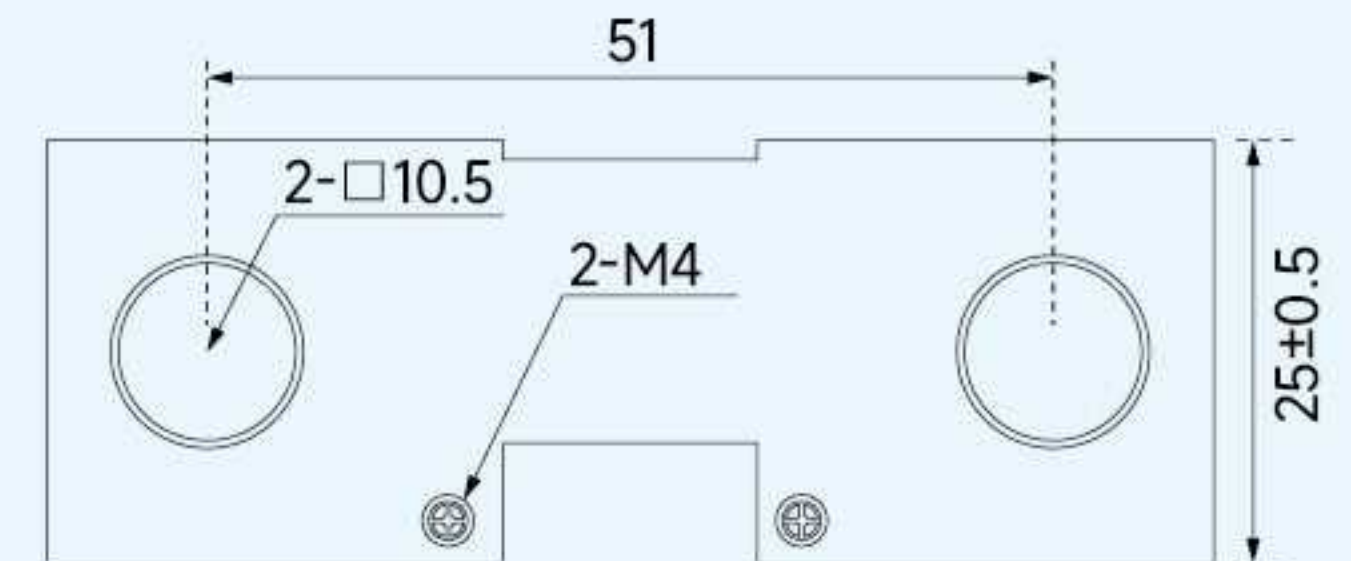
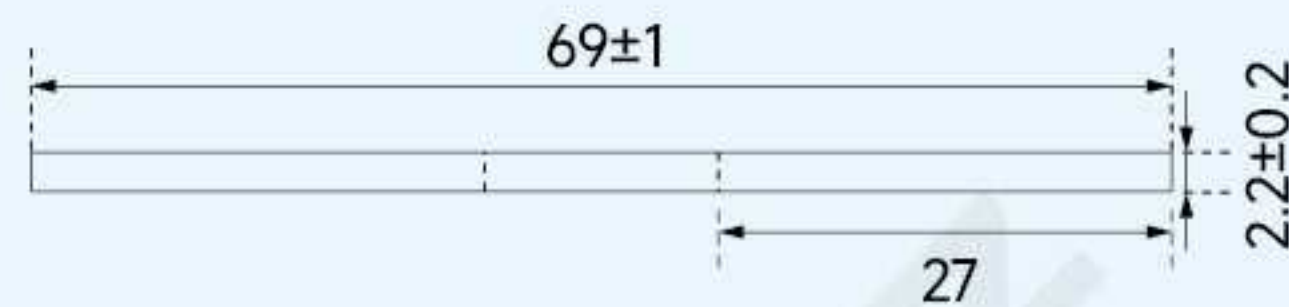
150A-200A 75mV



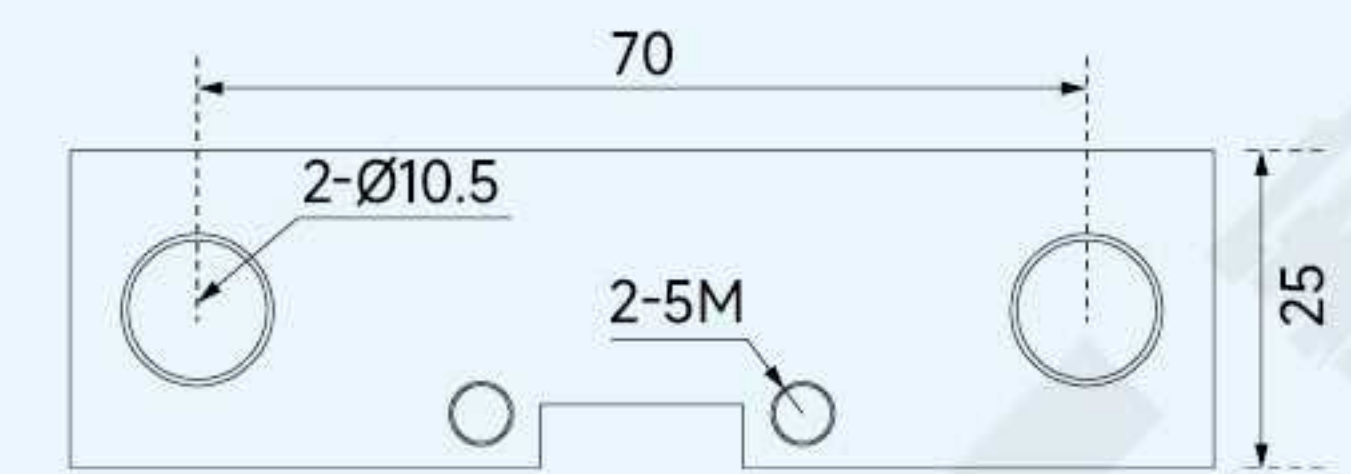
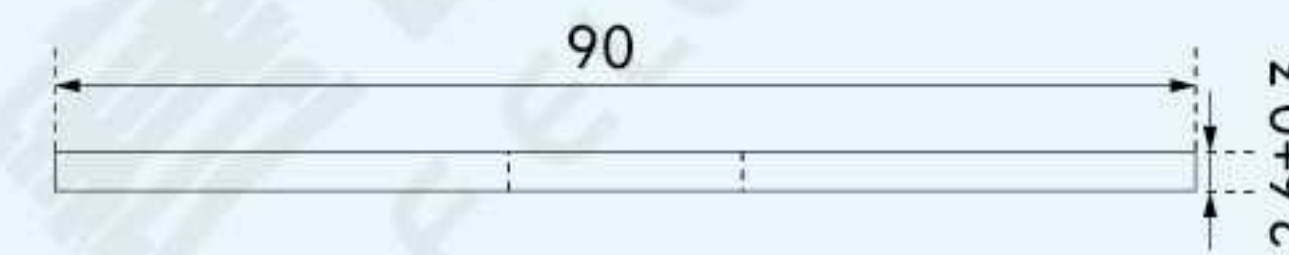
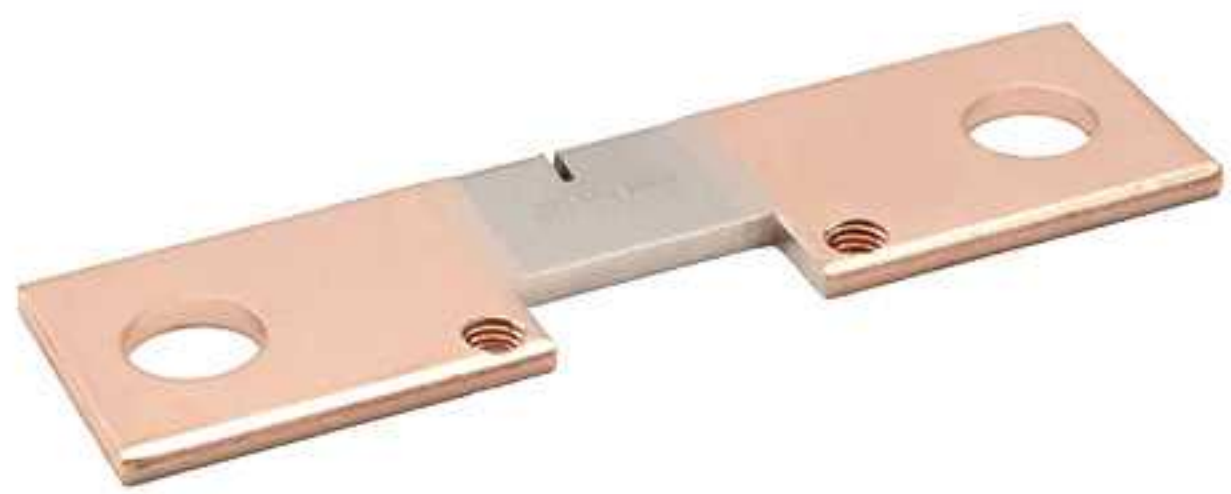
300A 25mV



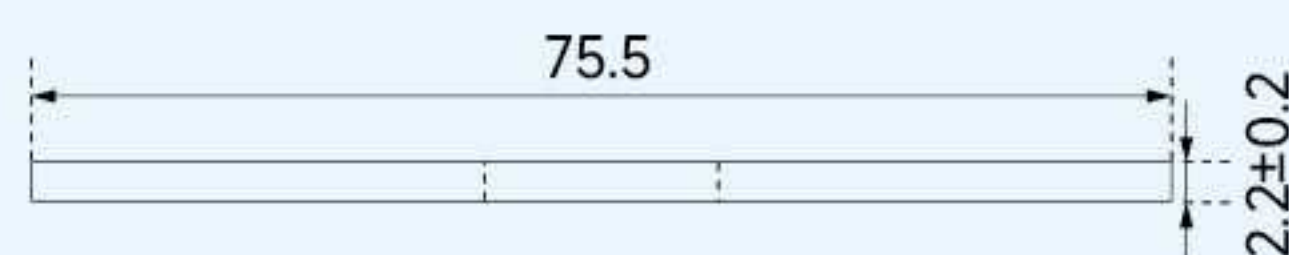
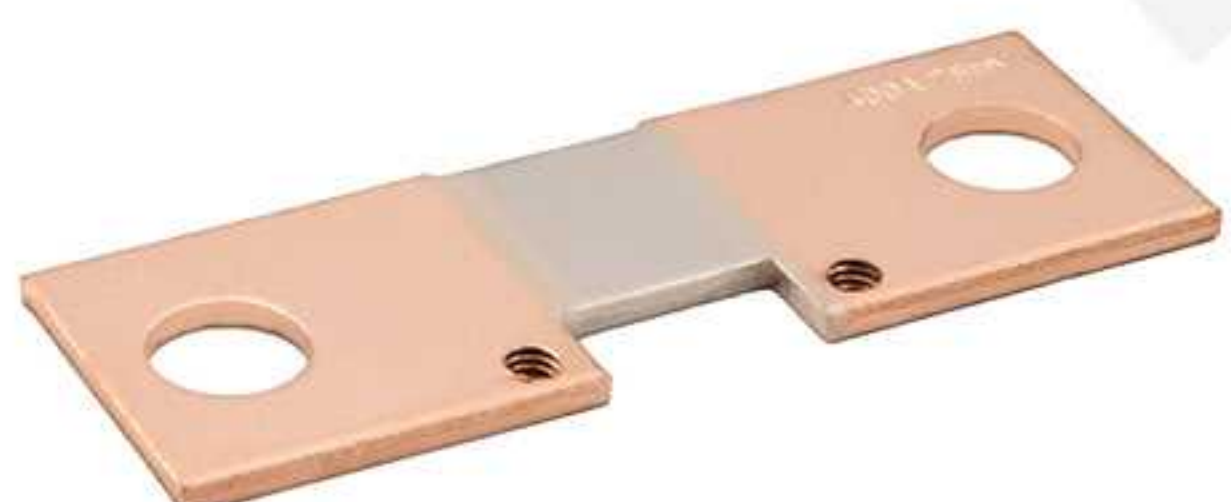
300A 75mV



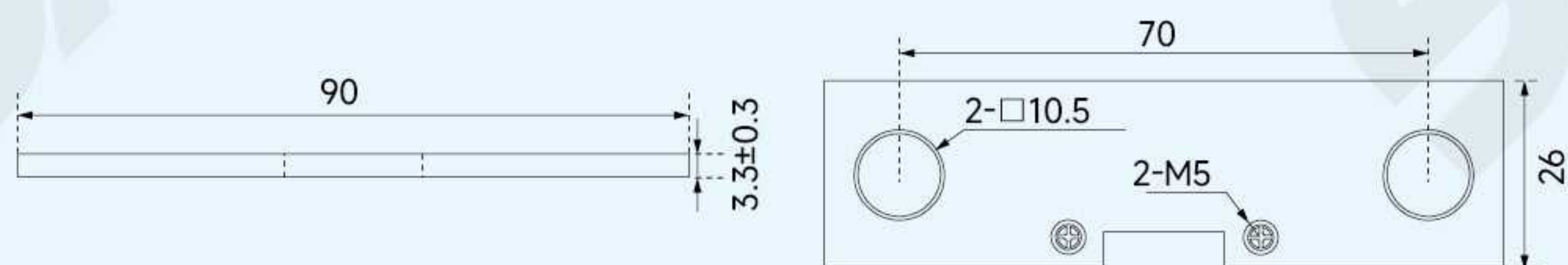
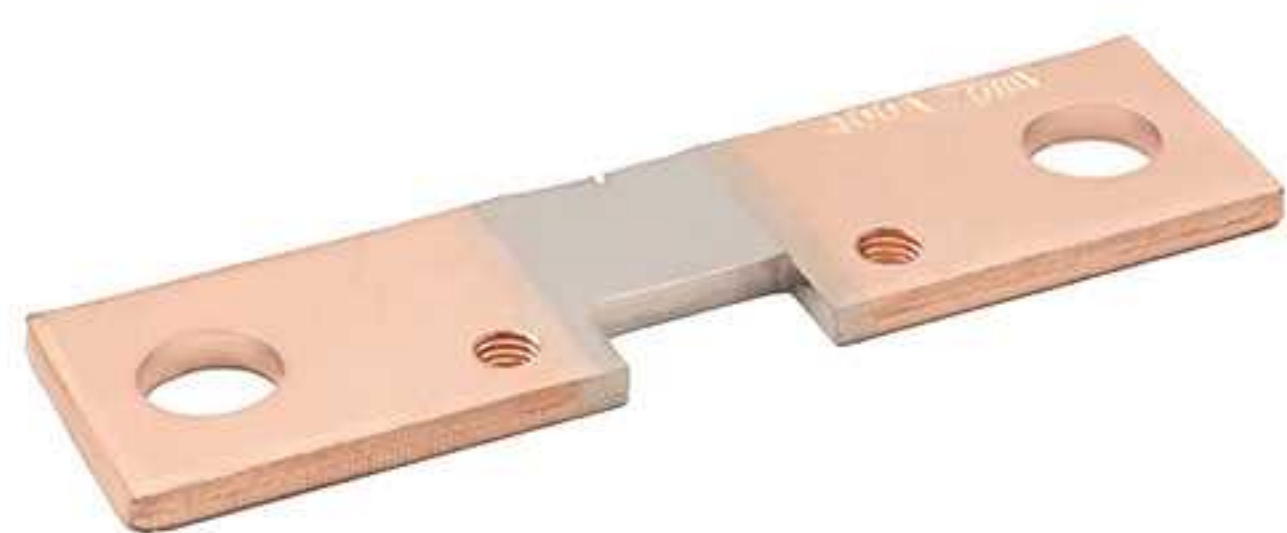
300A 75mV 90mm



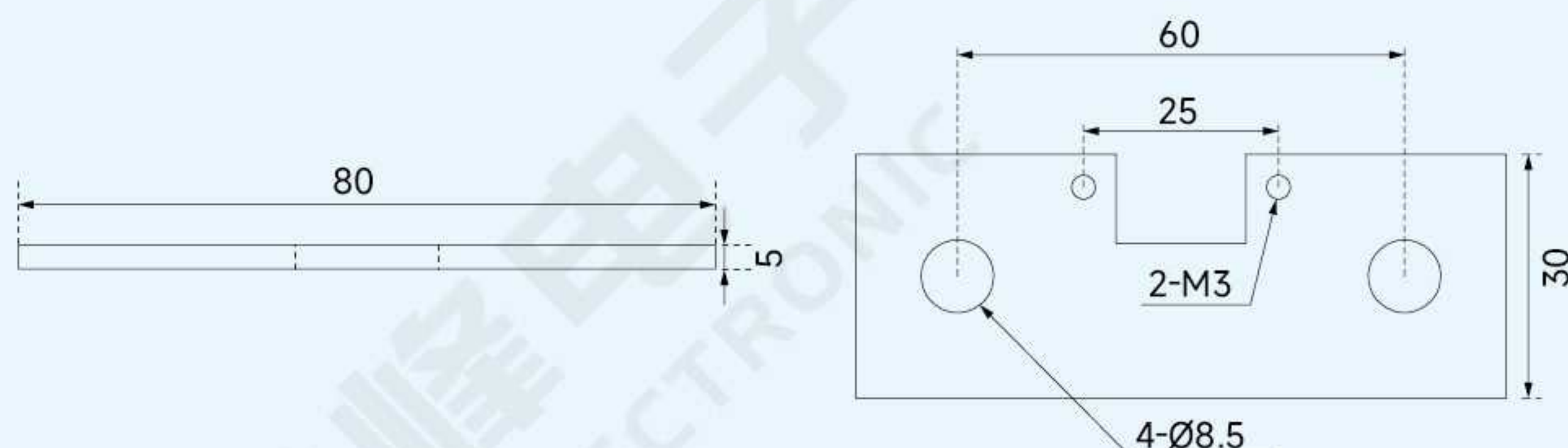
400A 75mV



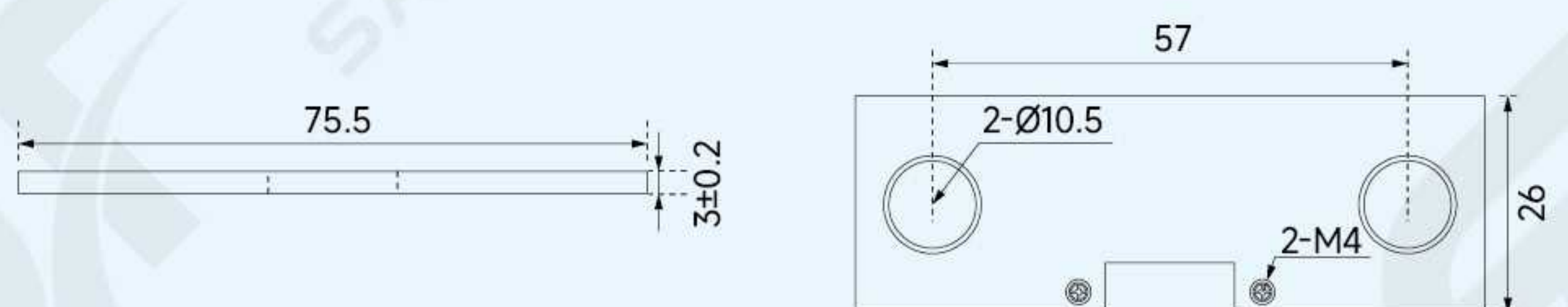
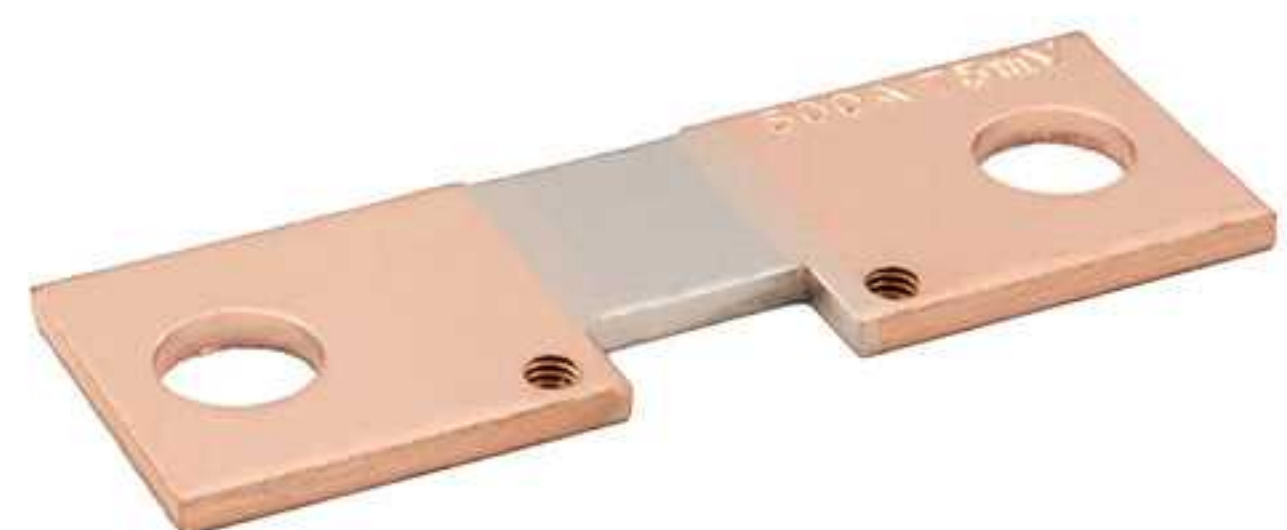
400A 75mV 90mm



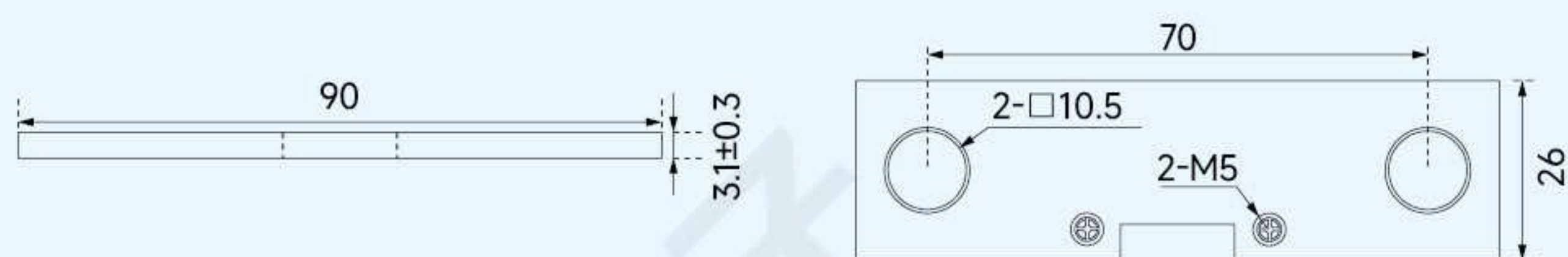
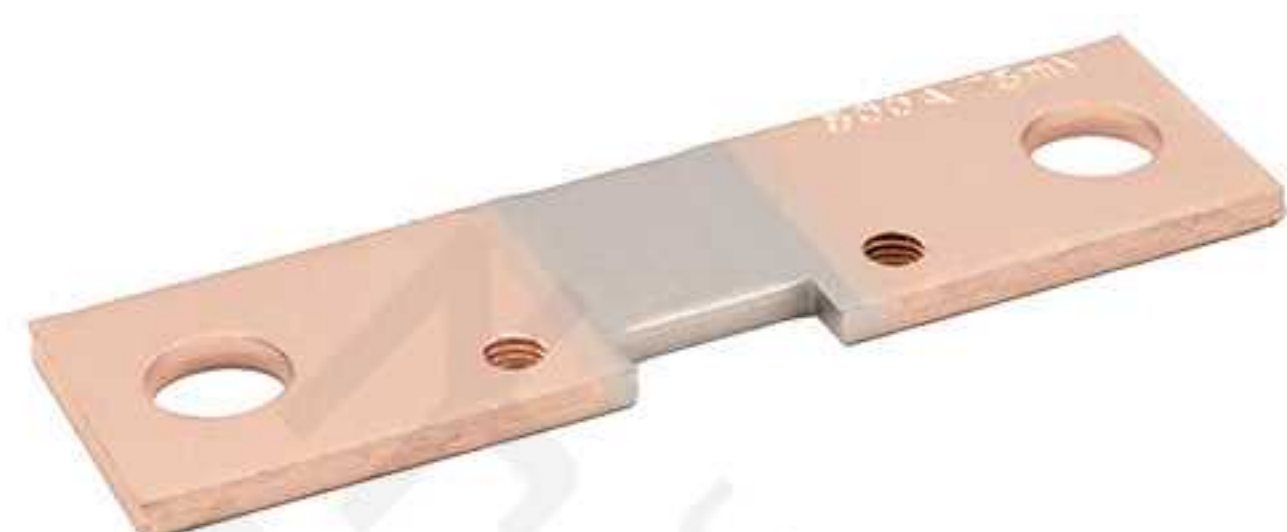
500A 25mV



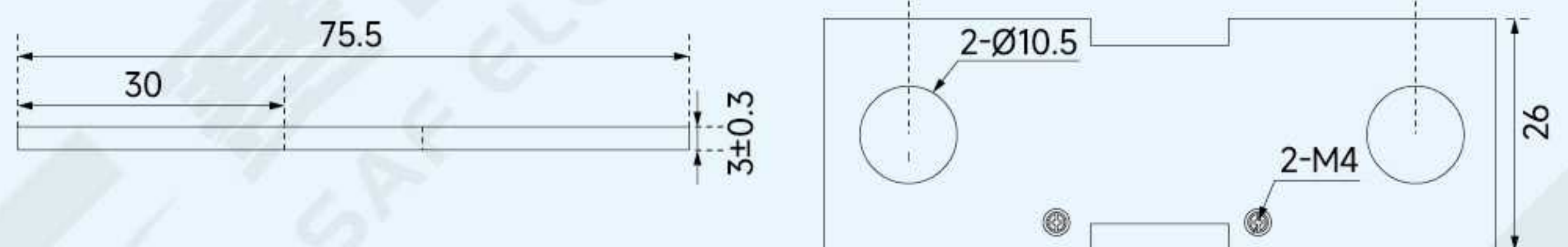
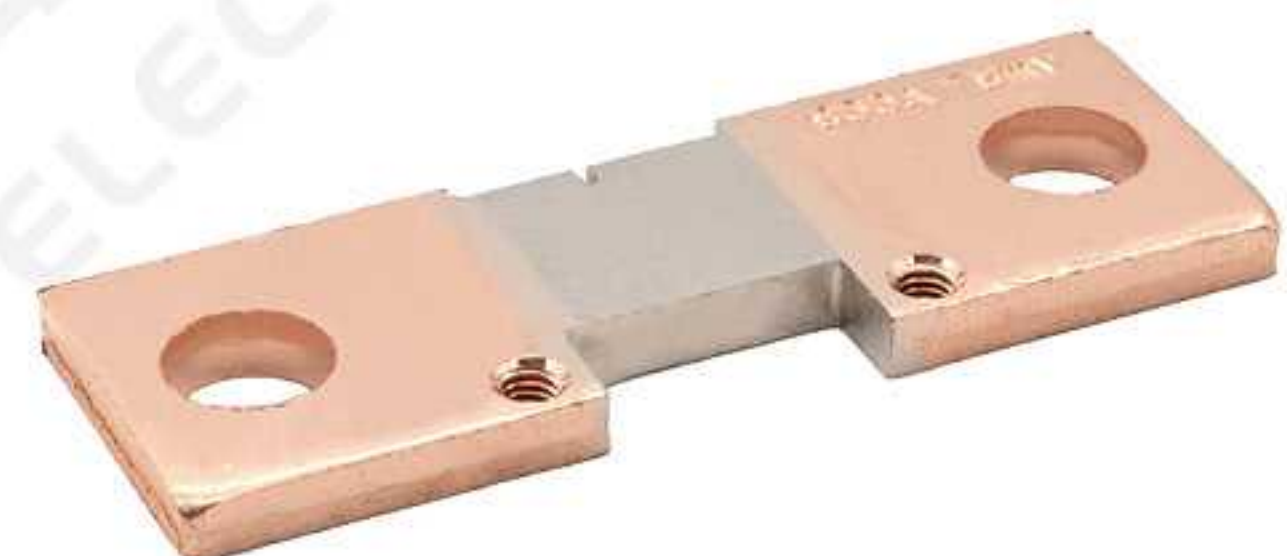
500A 75mV



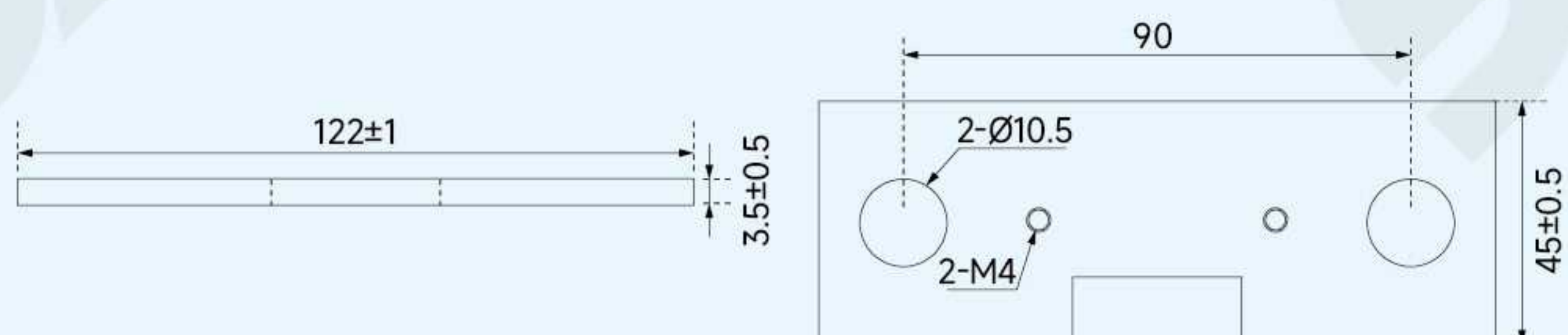
500A 75mV 90mm



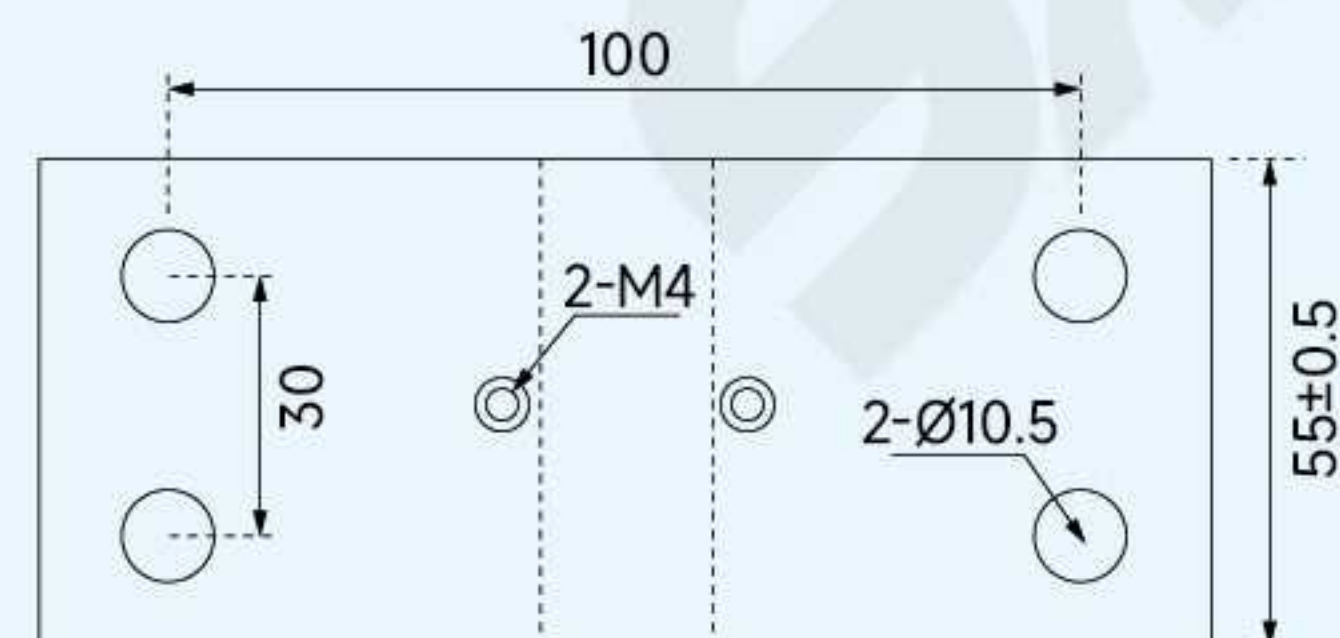
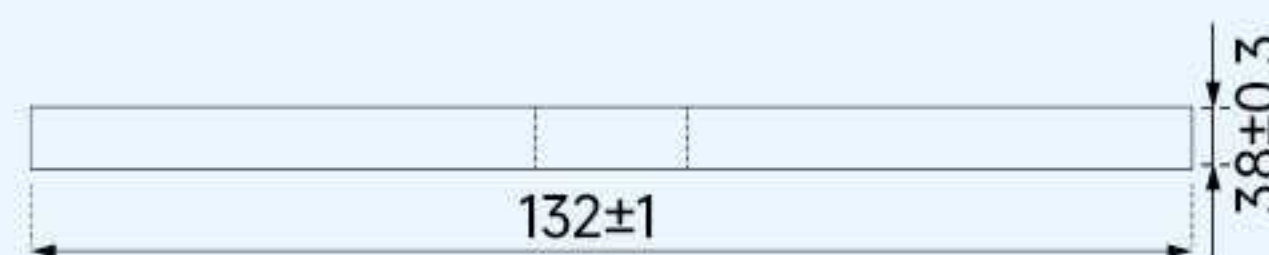
600A 75mV



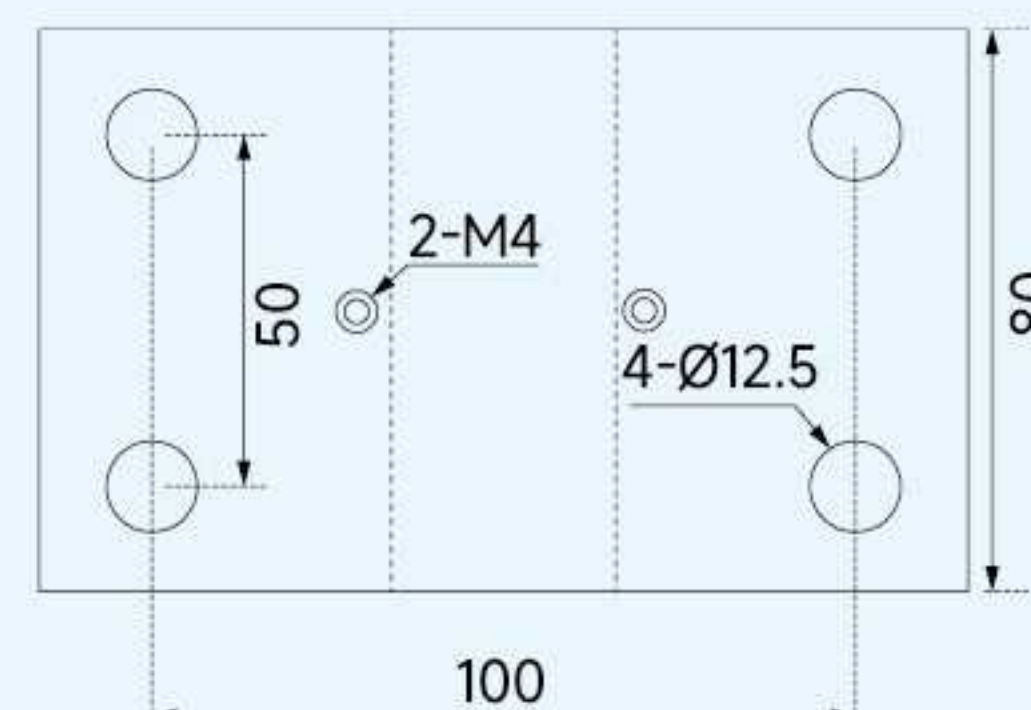
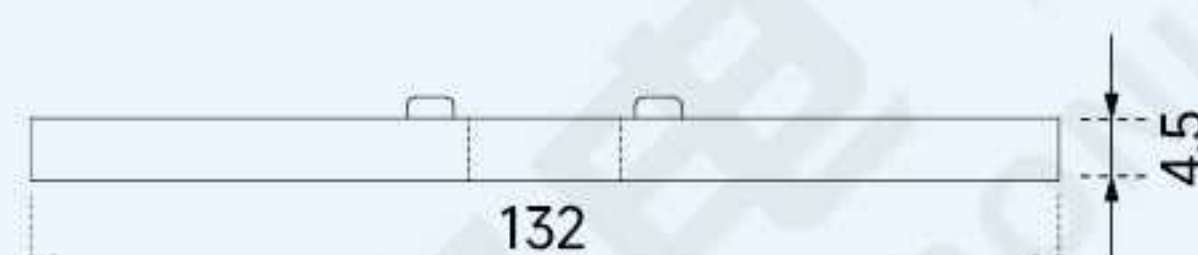
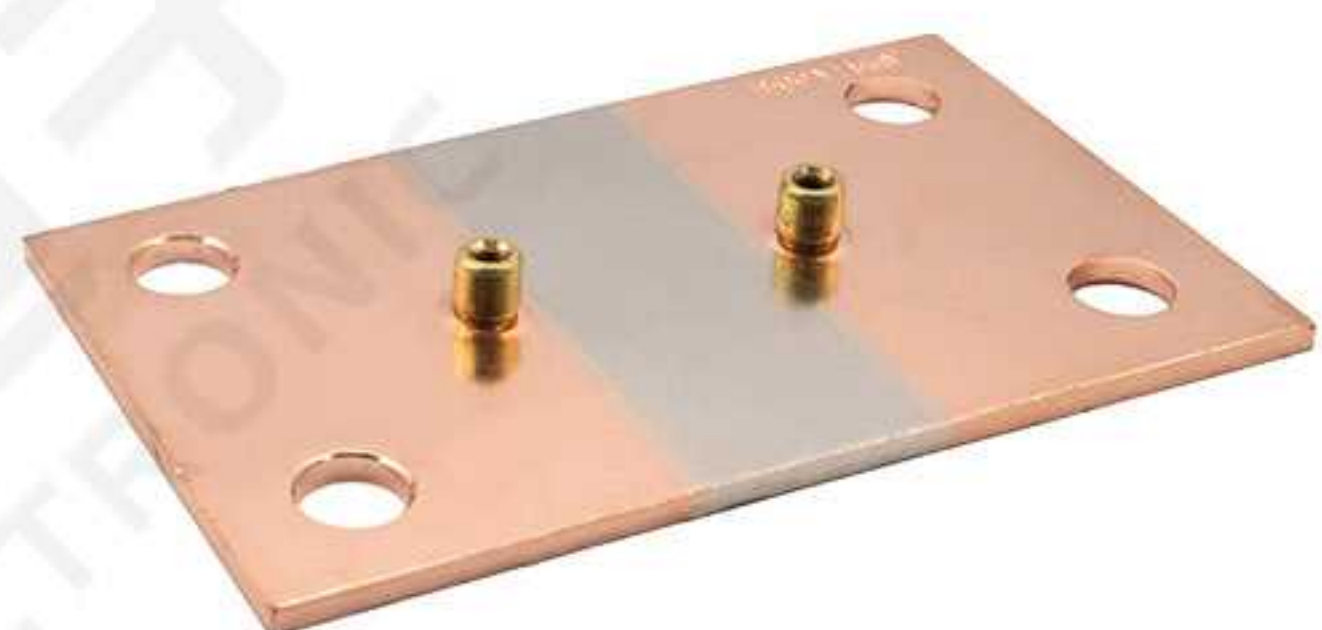
750A 75mV



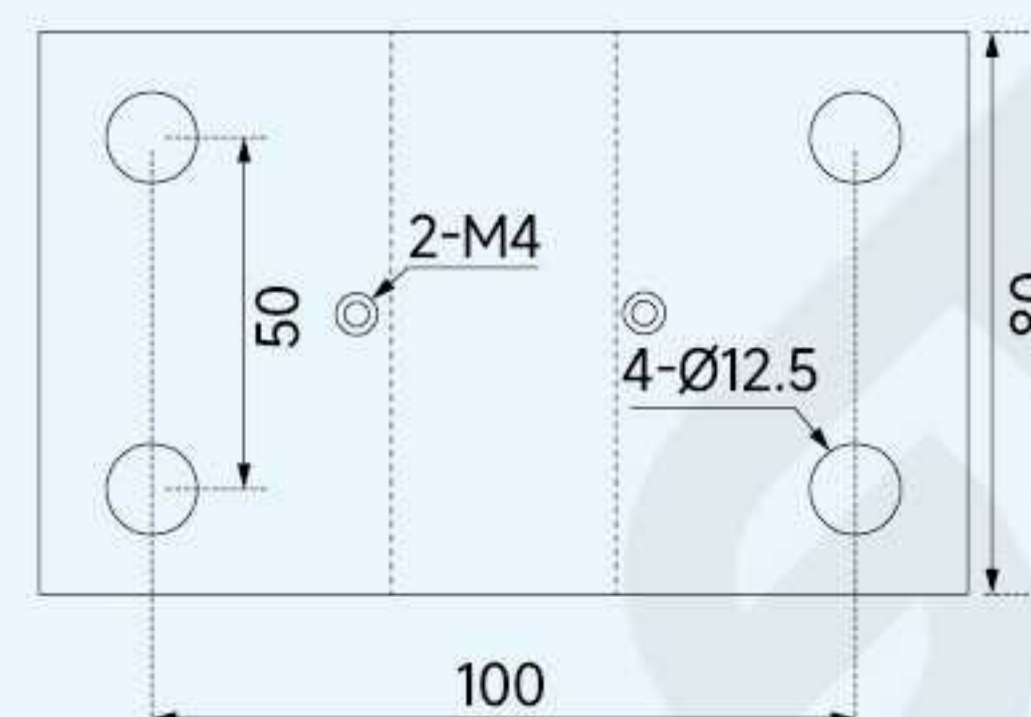
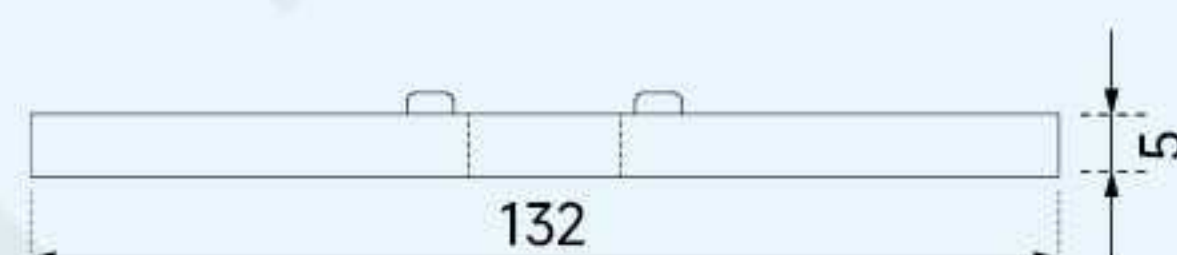
1000A 75mV



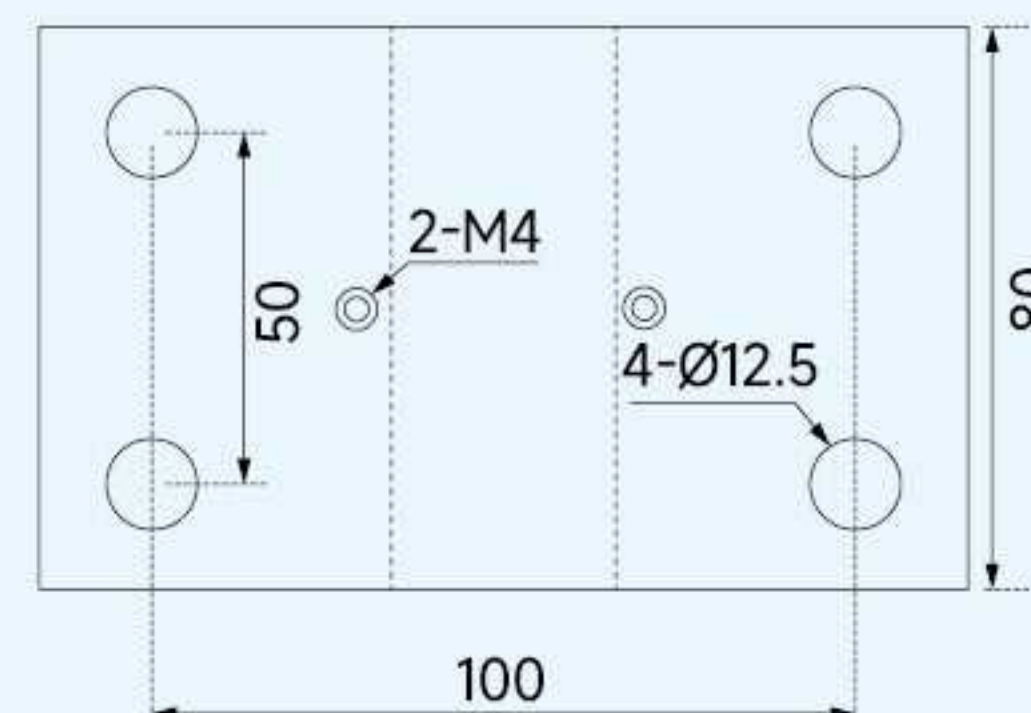
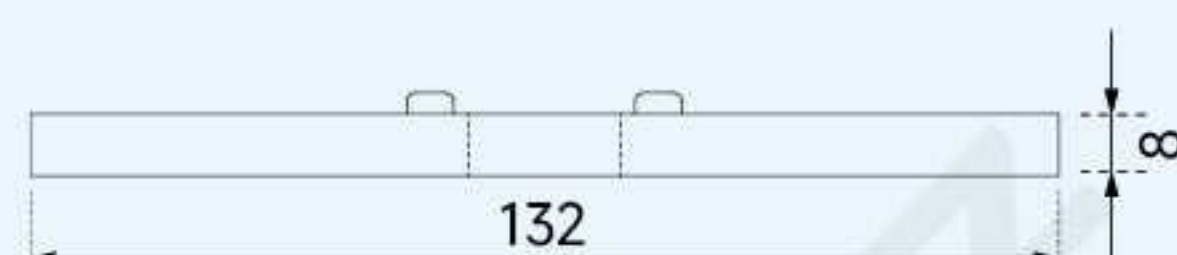
1500A 75mV



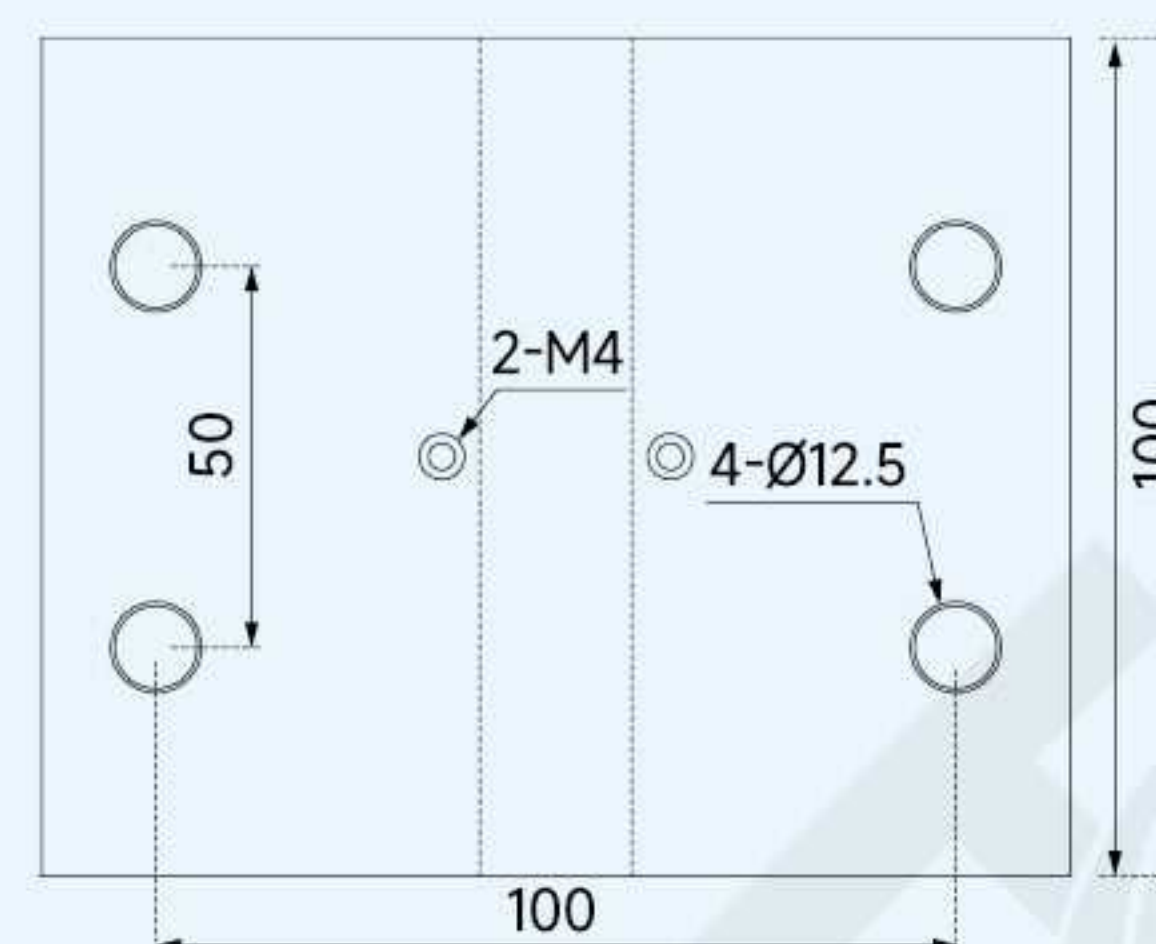
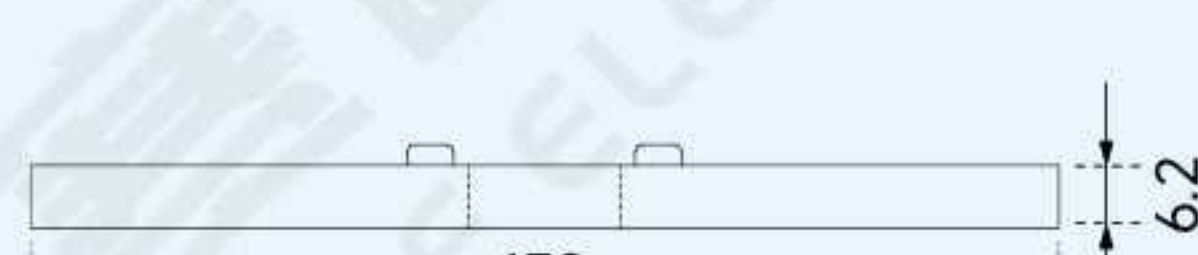
2000A 75mV



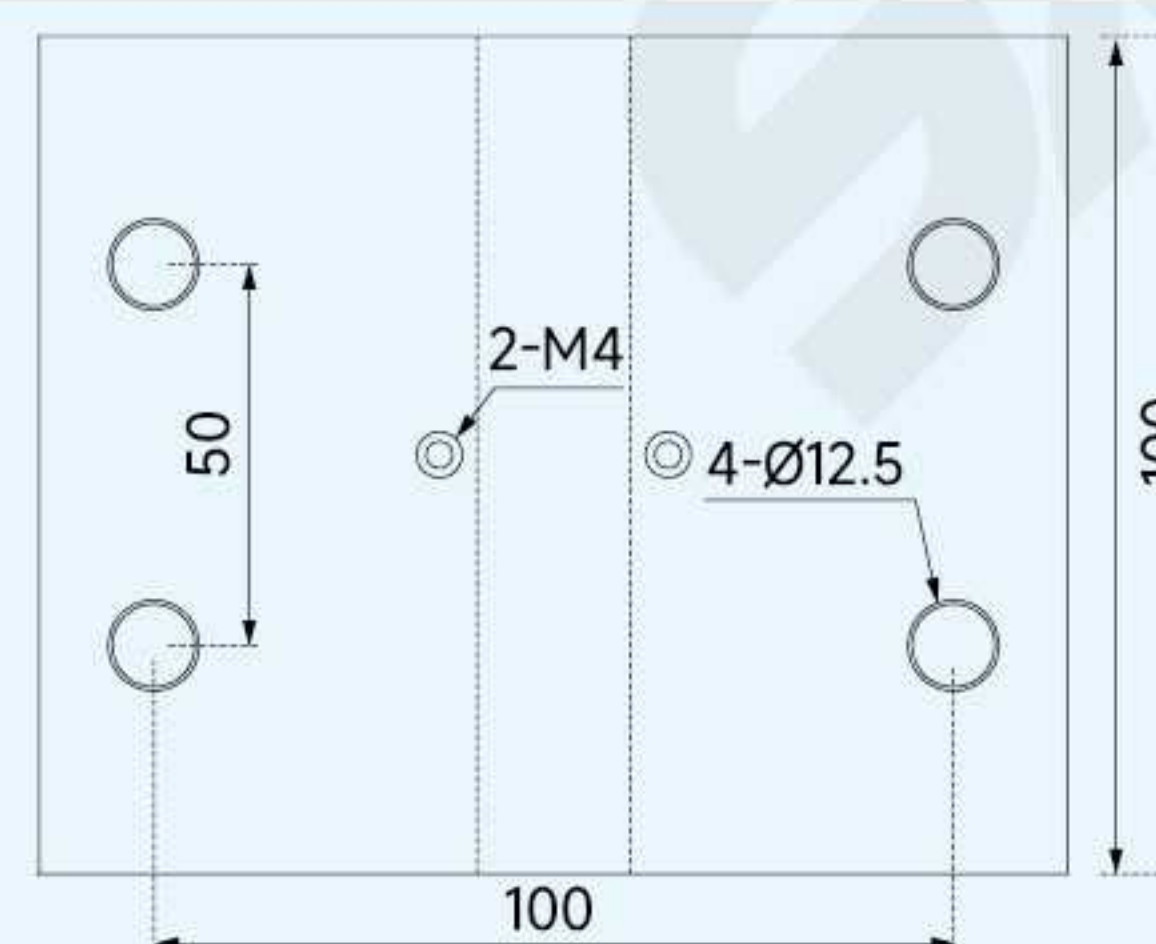
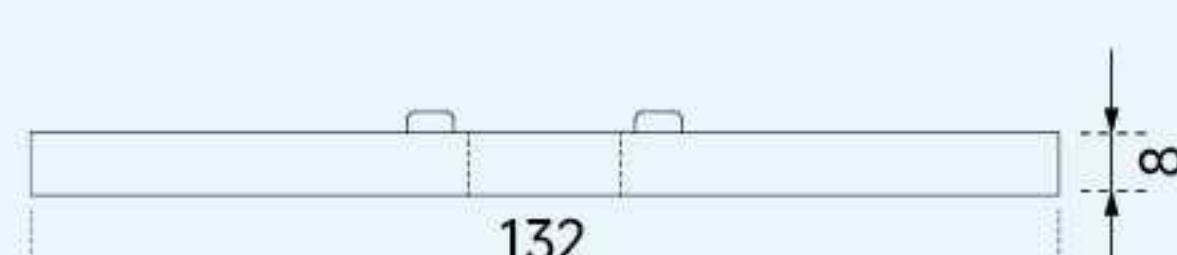
2500A 75mV



3000A 75mV



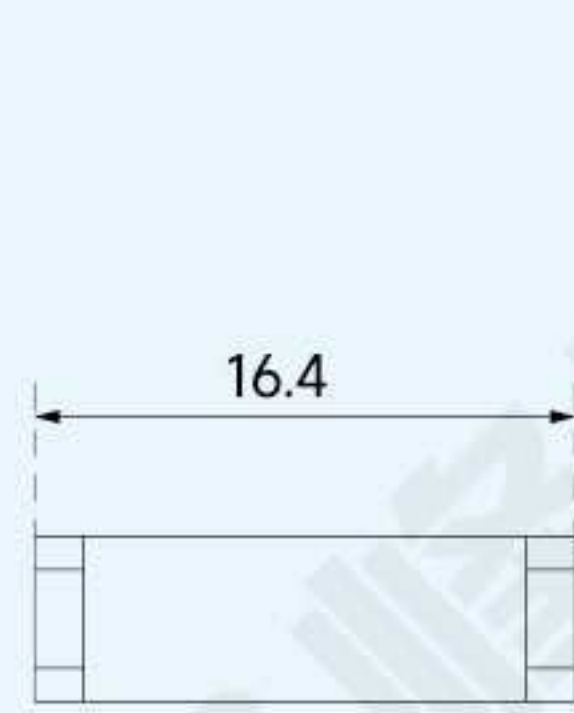
4000A 75mV



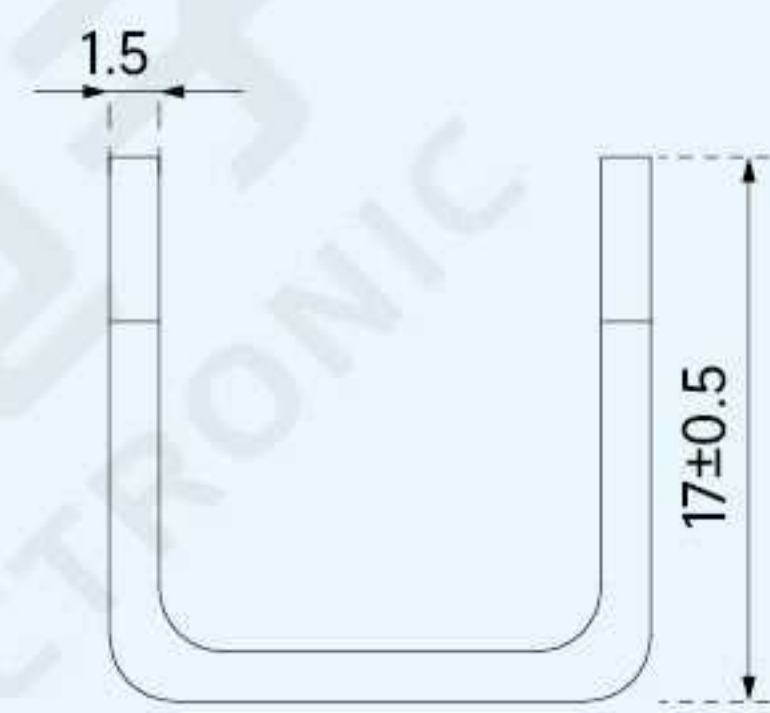
FL-U TYPE DC SHUNT

FL-U 型

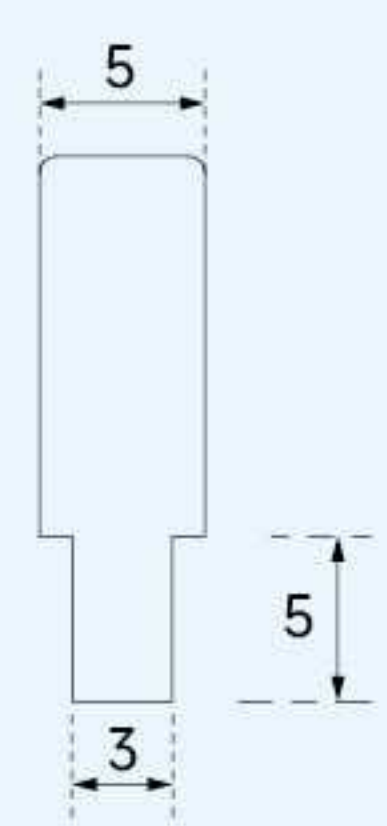
40A



正视图

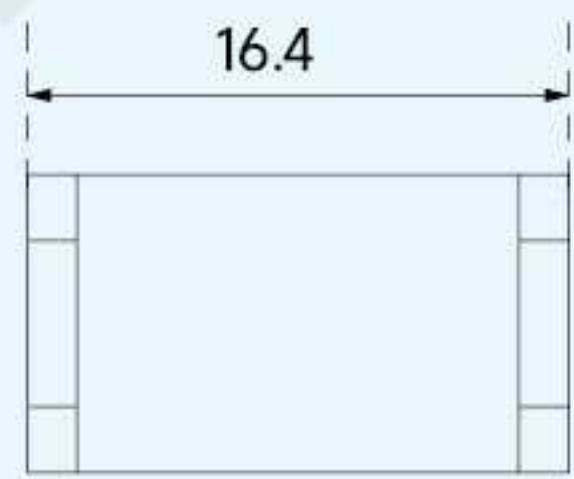


俯视图

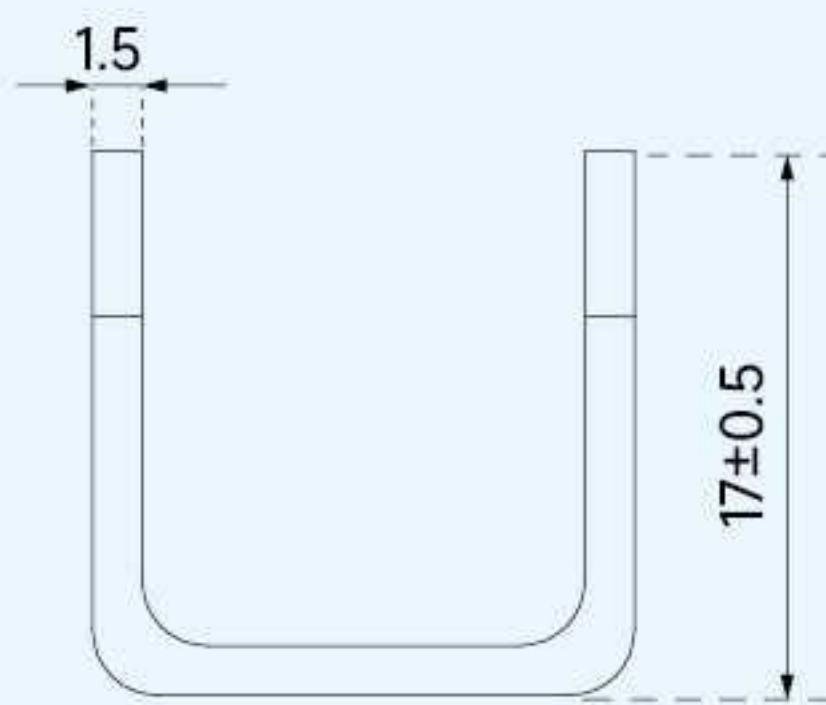


侧视图

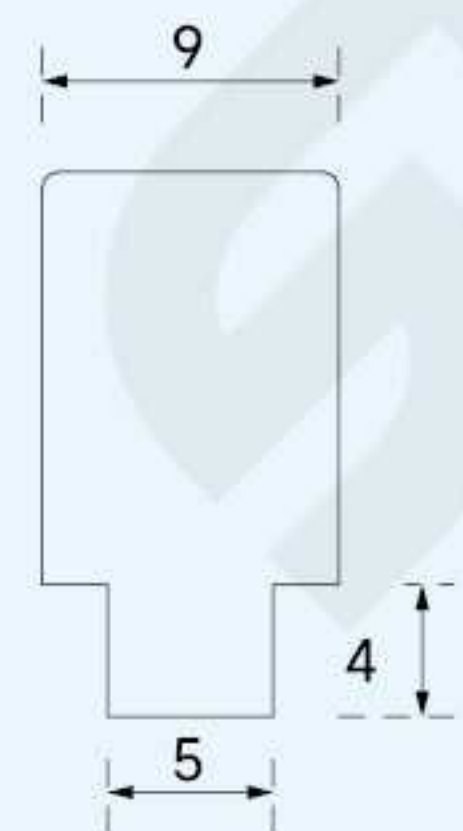
60A



正视图

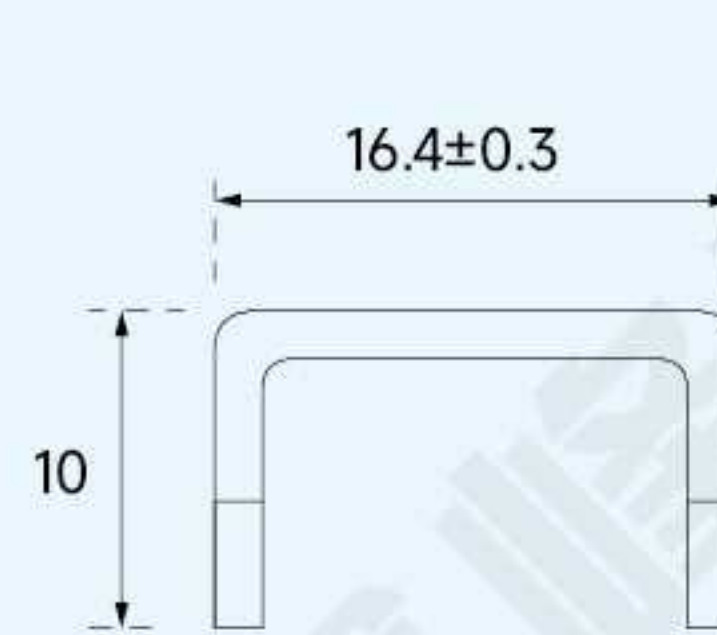


俯视图

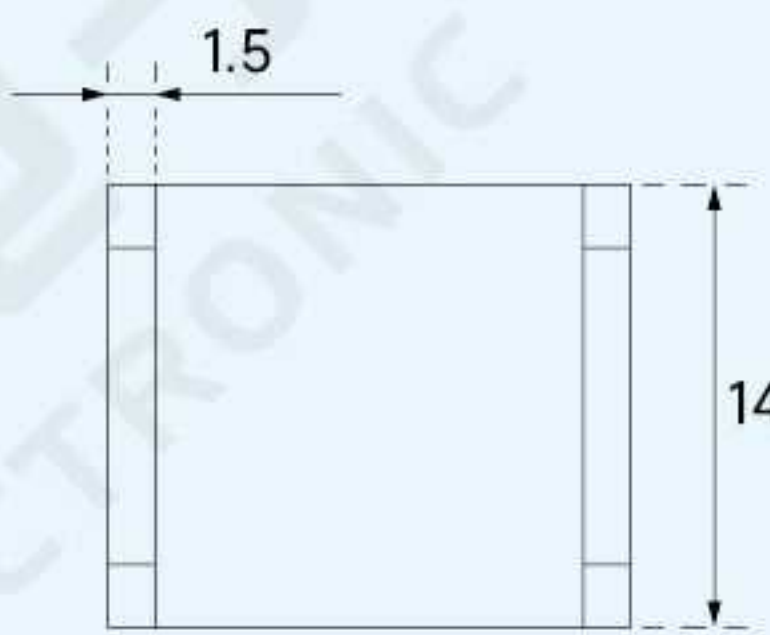


侧视图

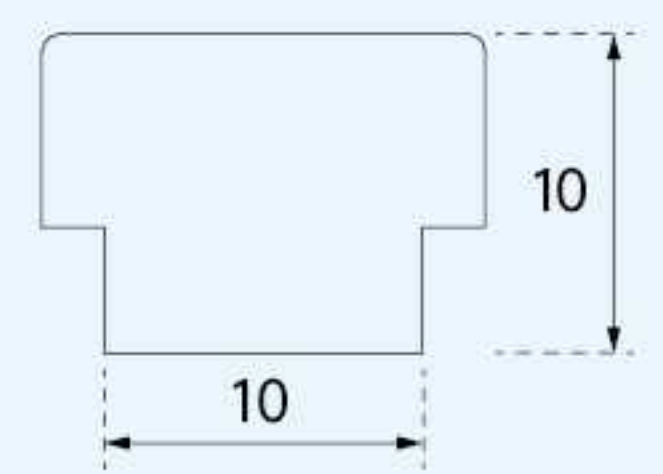
180A



正视图

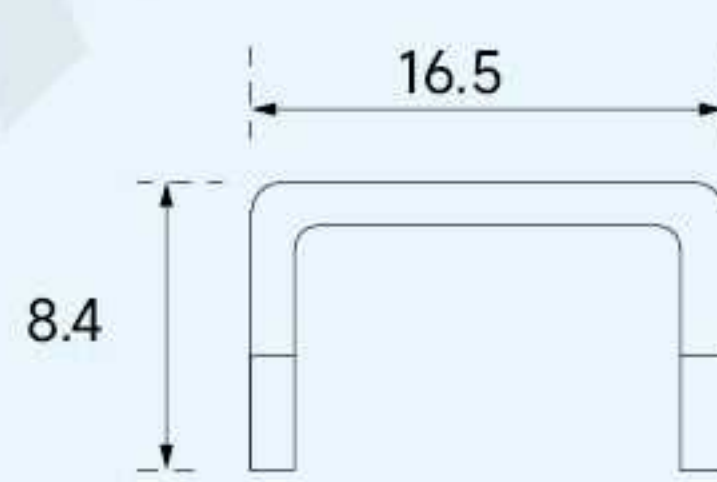


俯视图

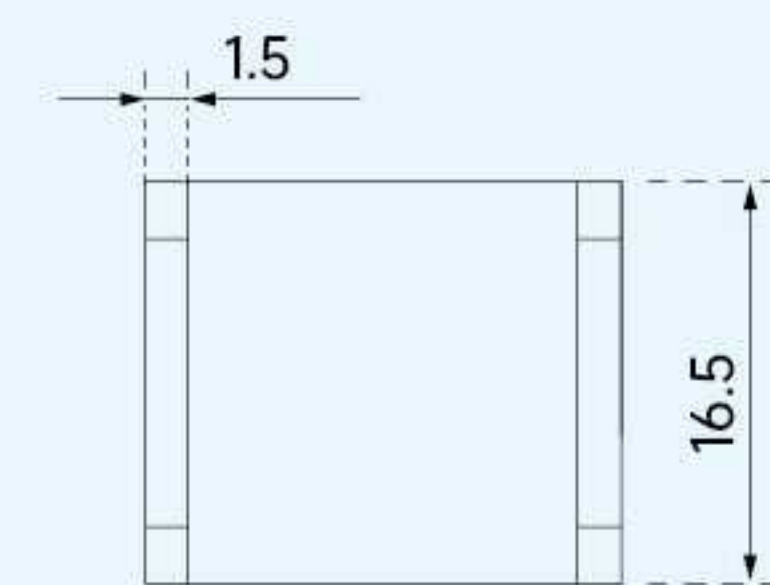


侧视图

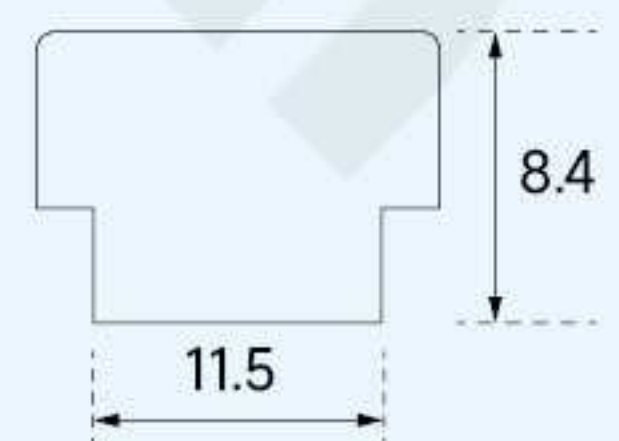
220A



正视图



俯视图

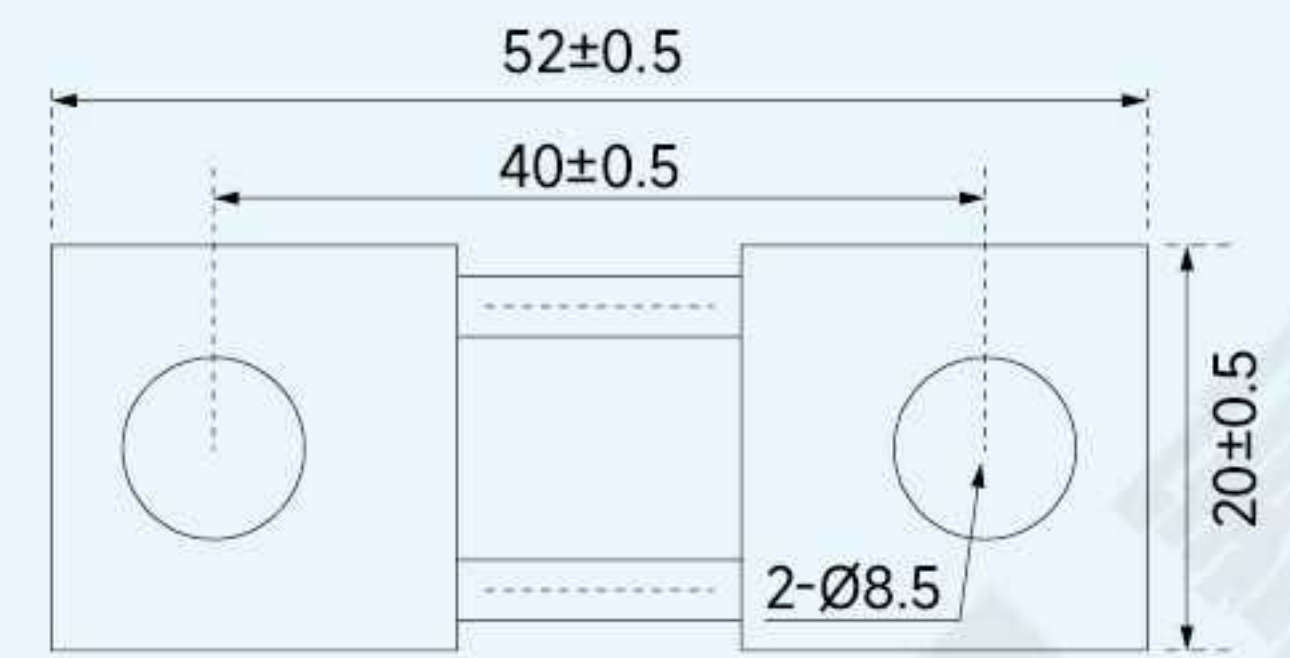
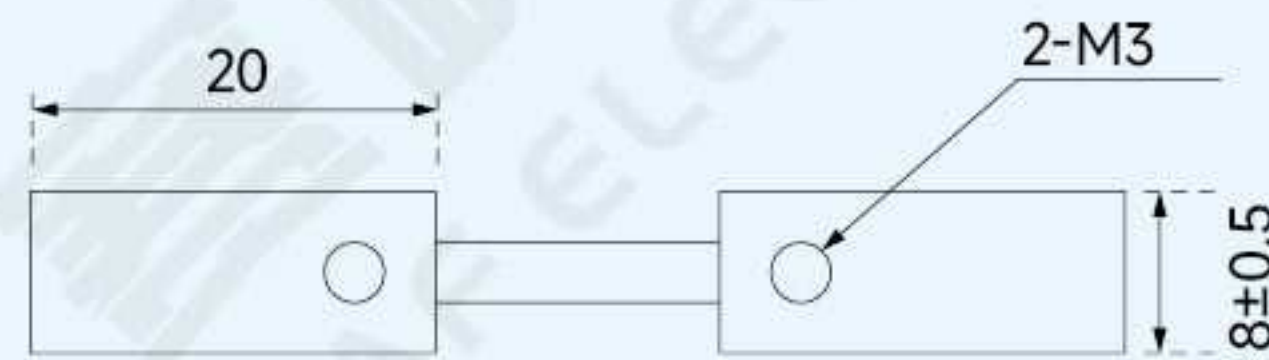


侧视图

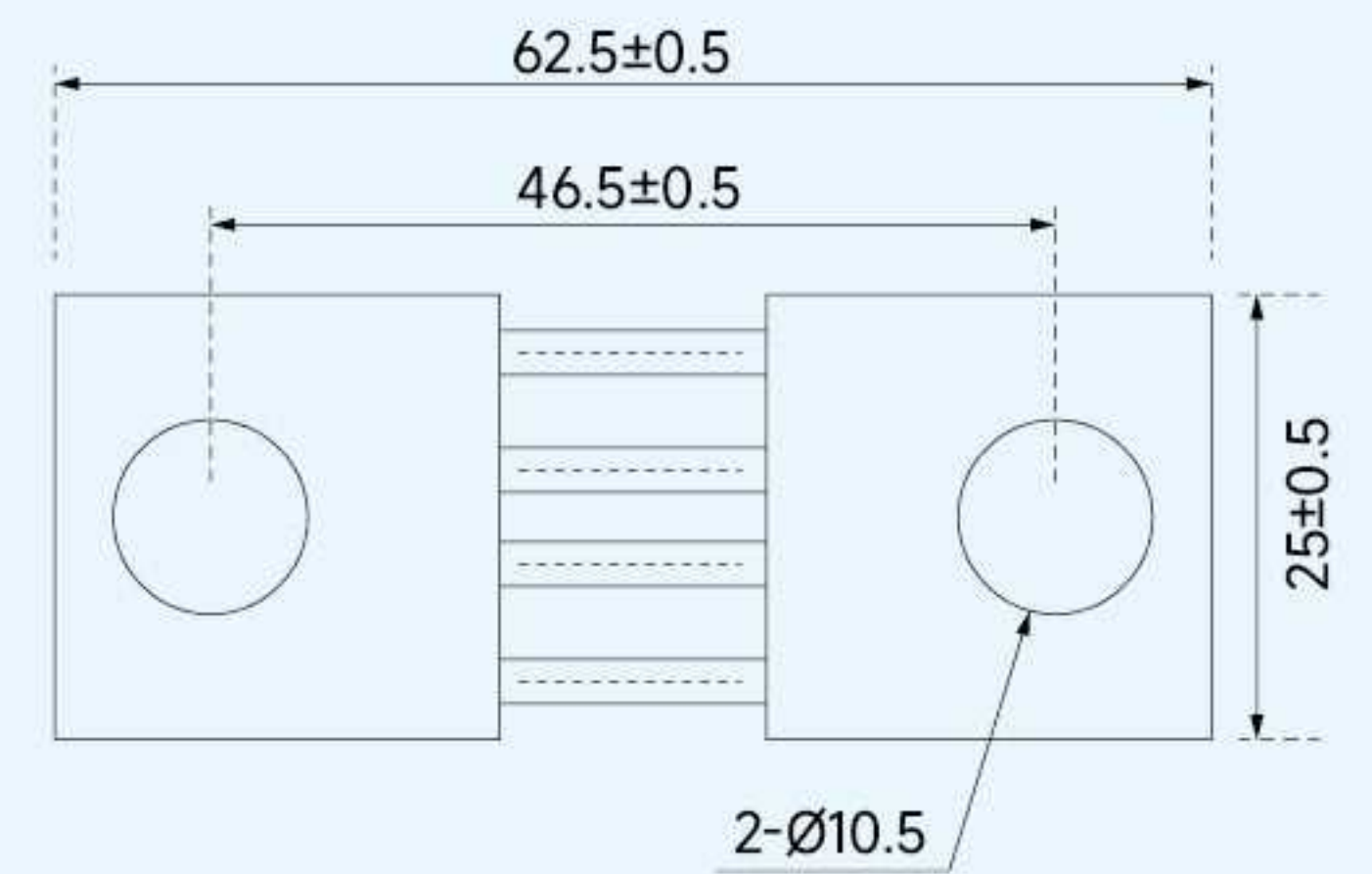
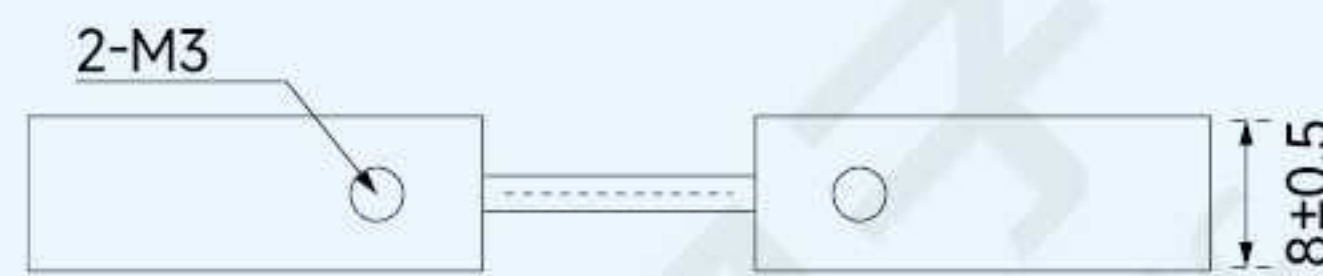
FL-19 TYPE DC SHUNT

FL-19 型

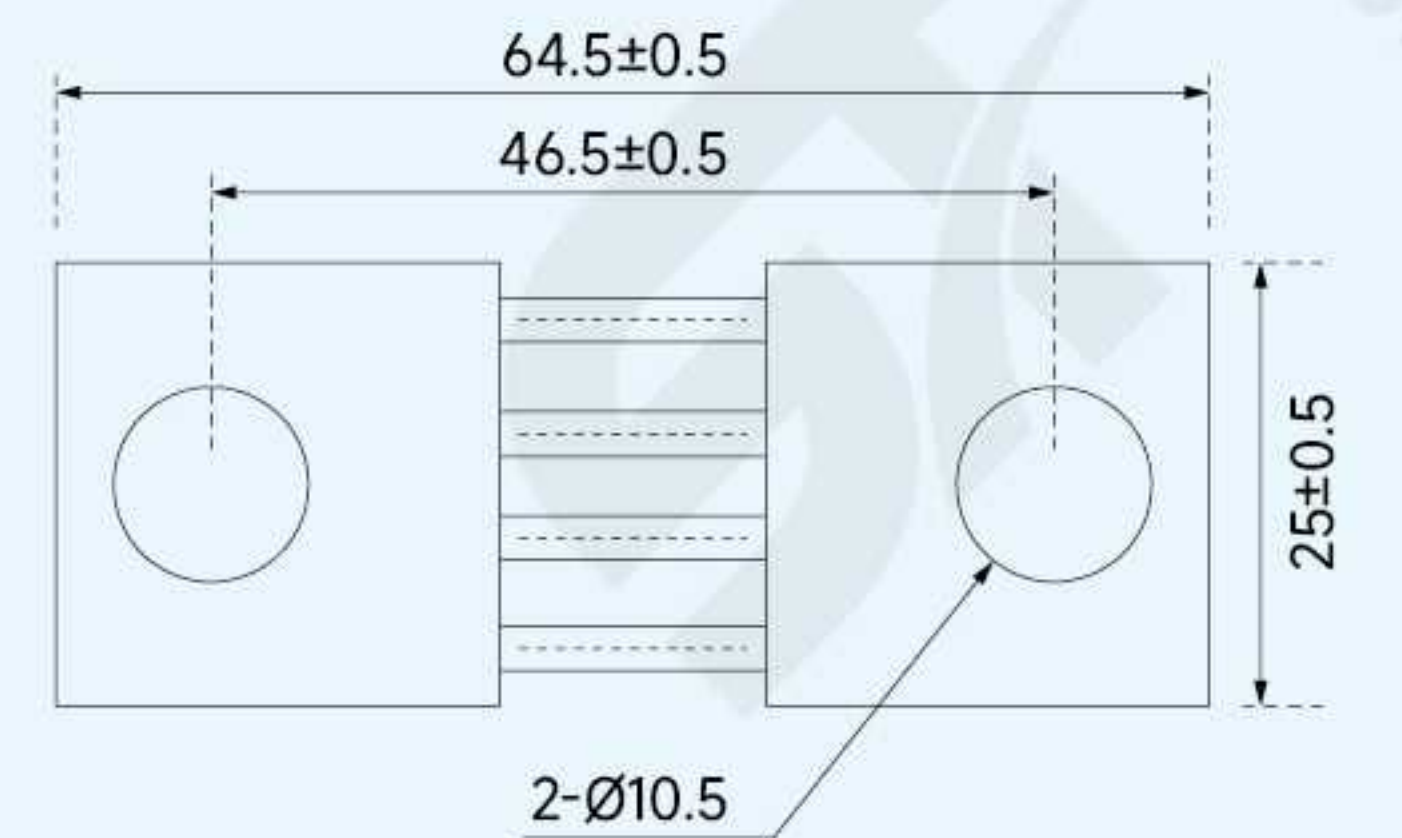
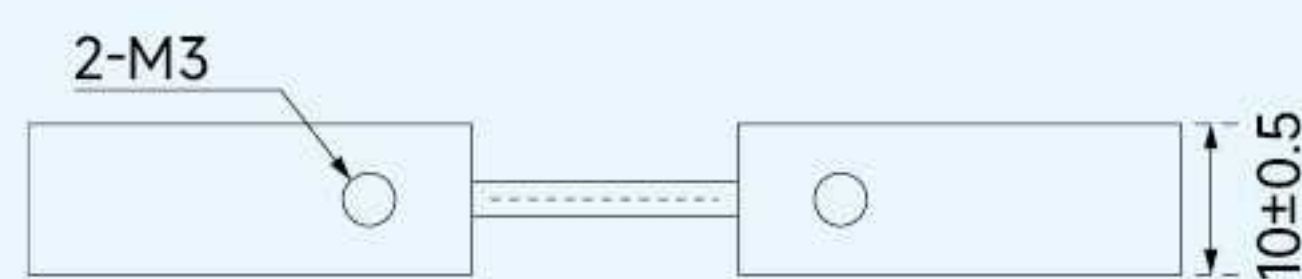
100A-200A



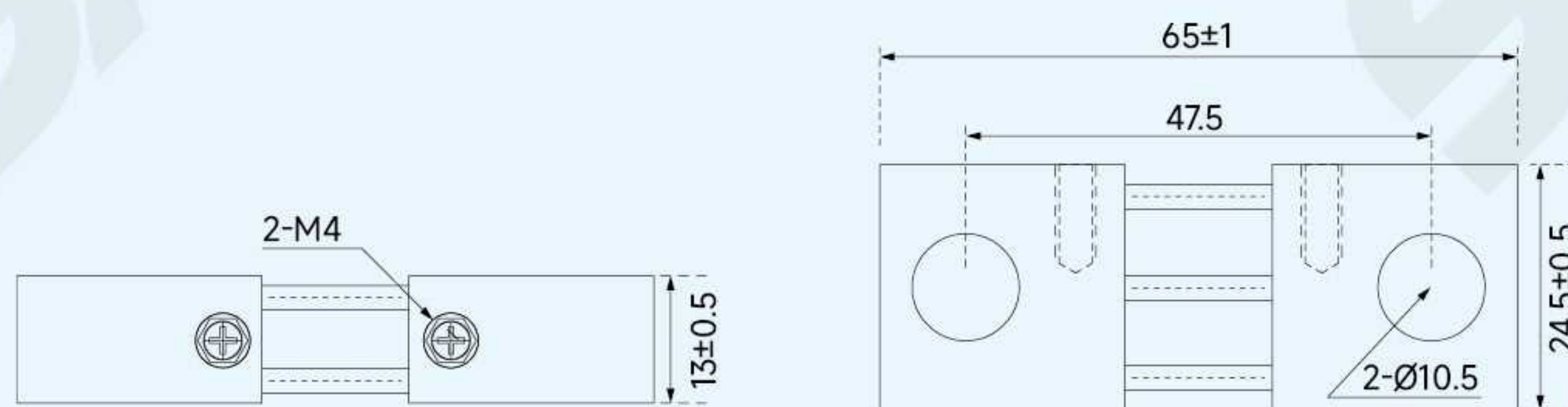
300A 薄 Slim type



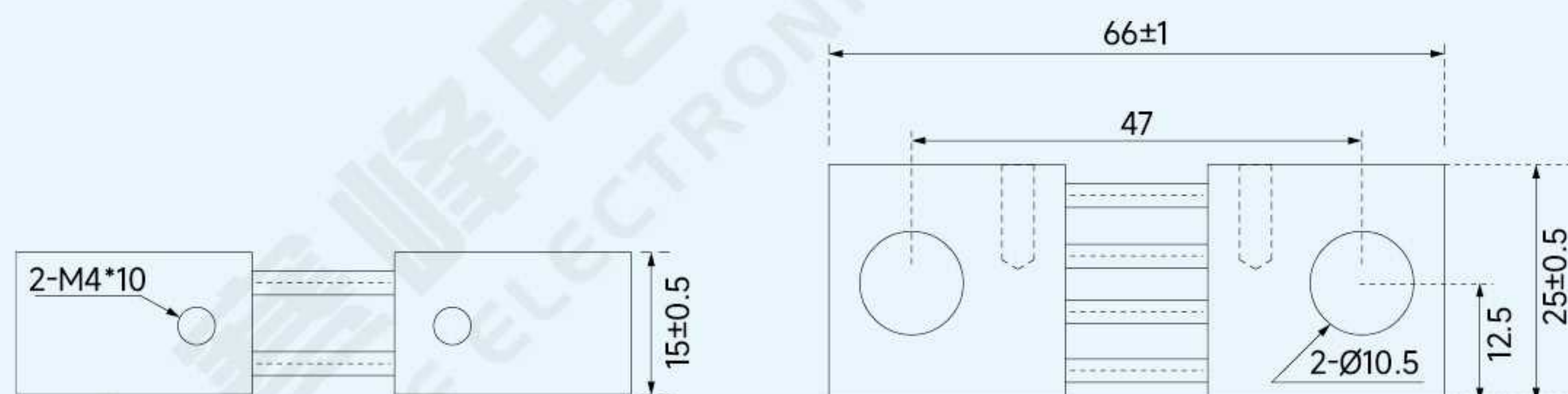
300A 厚 Thick type



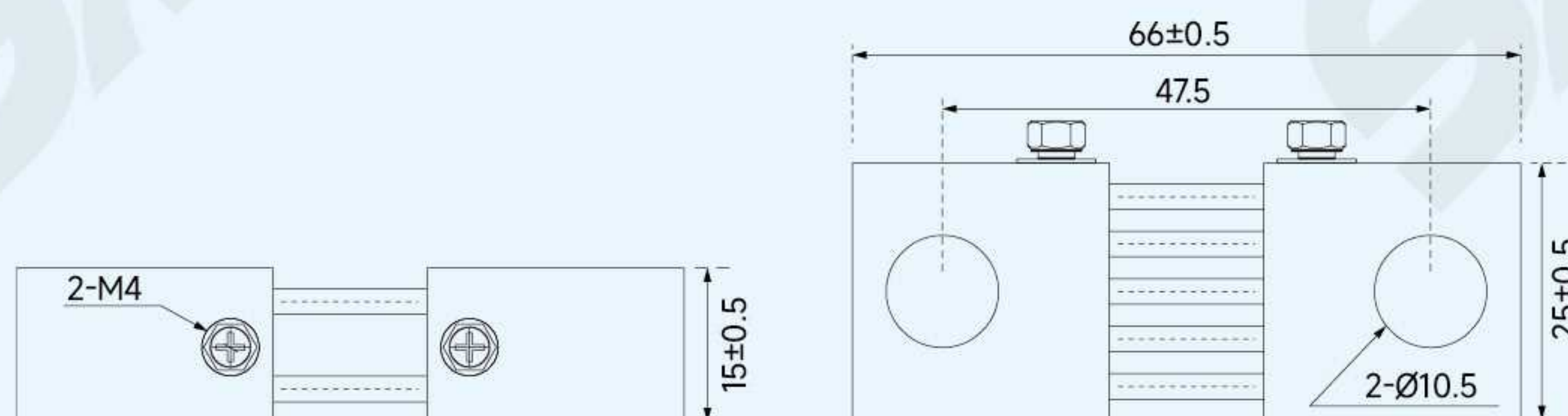
400A



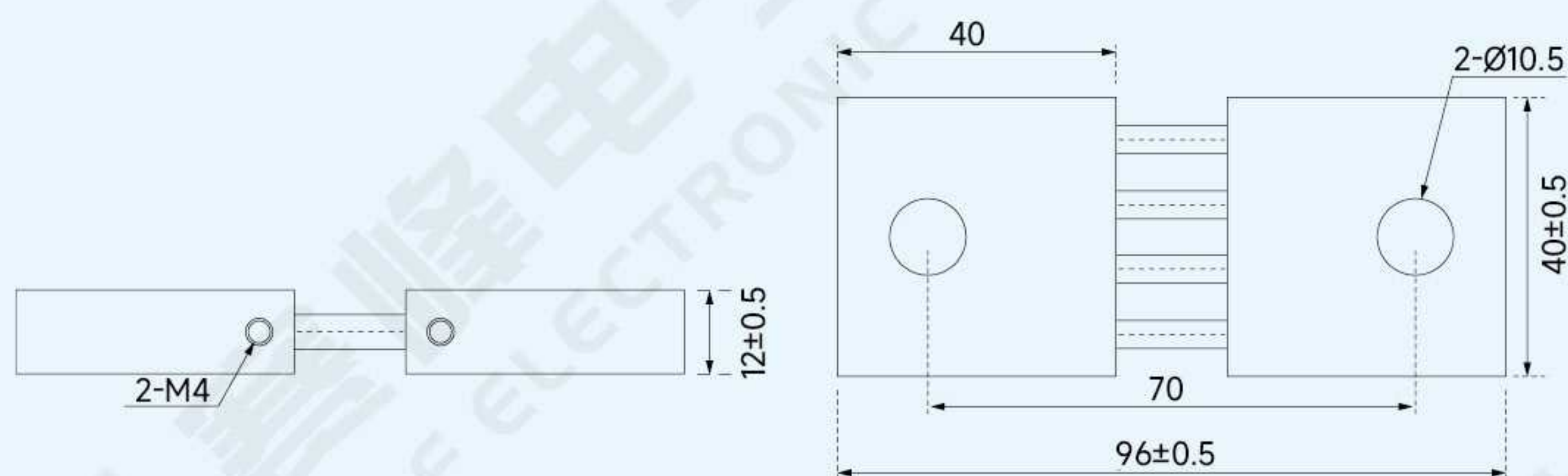
500A



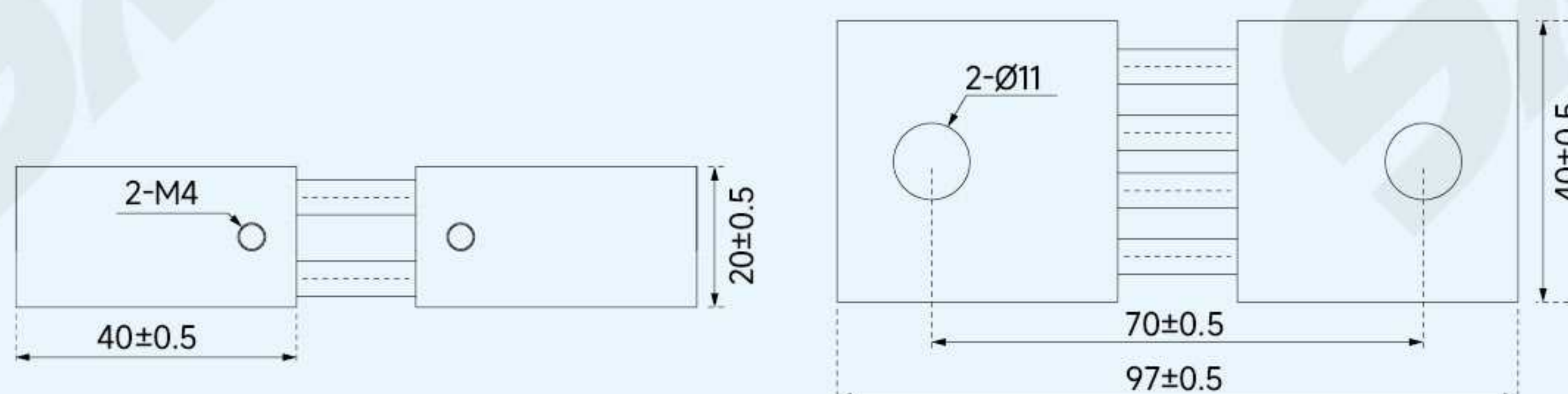
600A



750A-800A



1000A

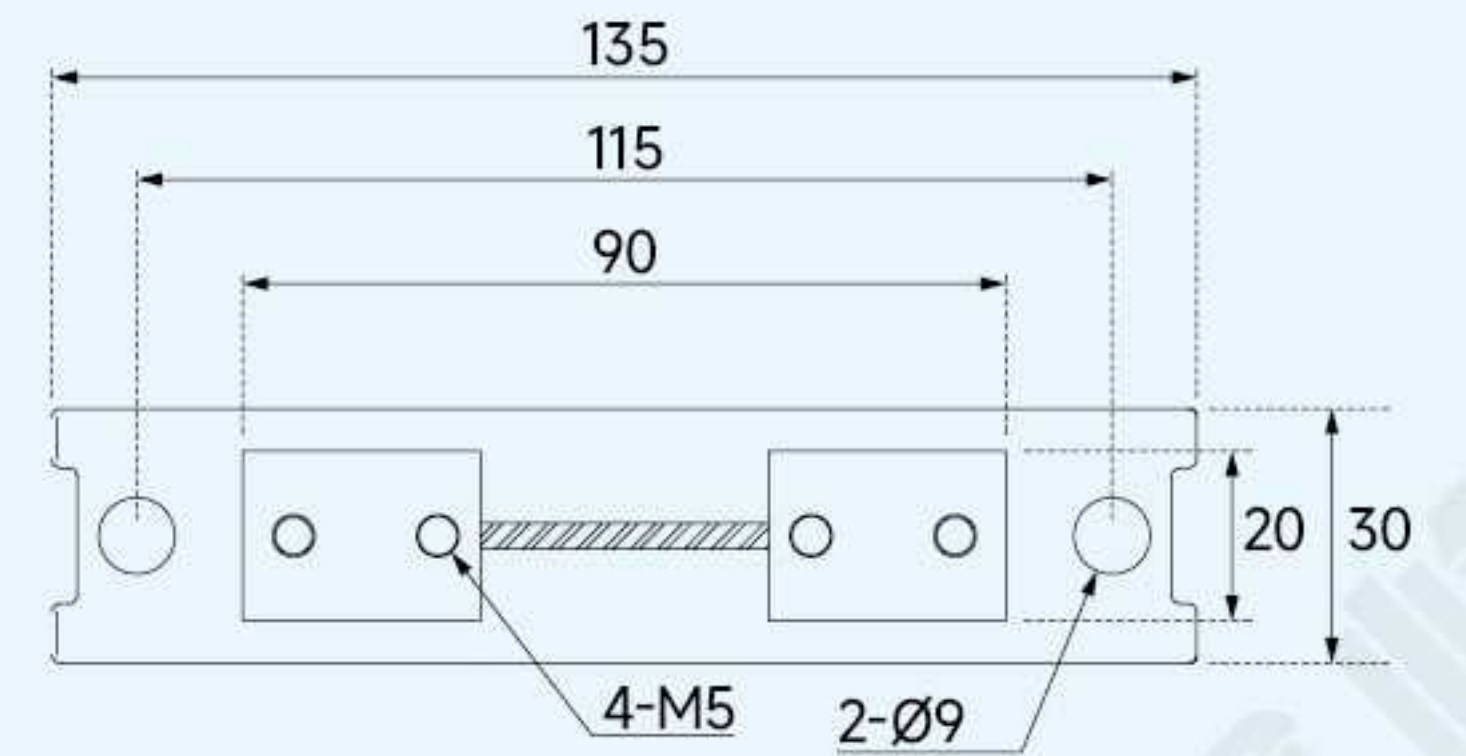


FL-21 EXPORT TYPE

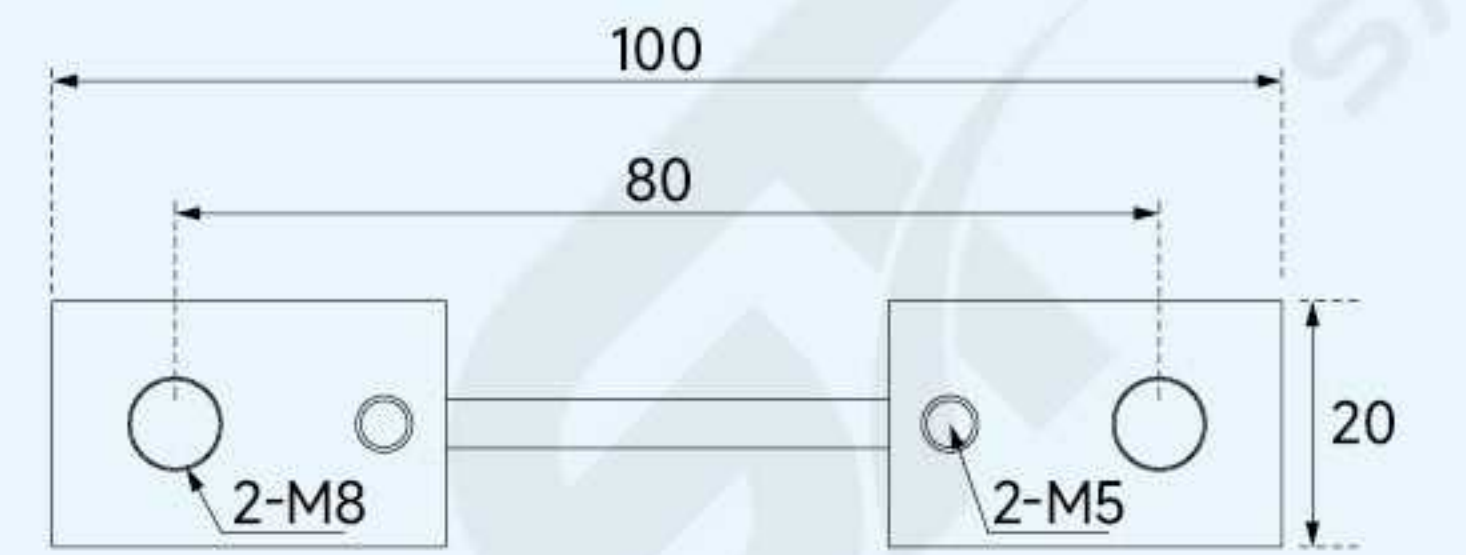
DC SHUNT

FL-21 出口型

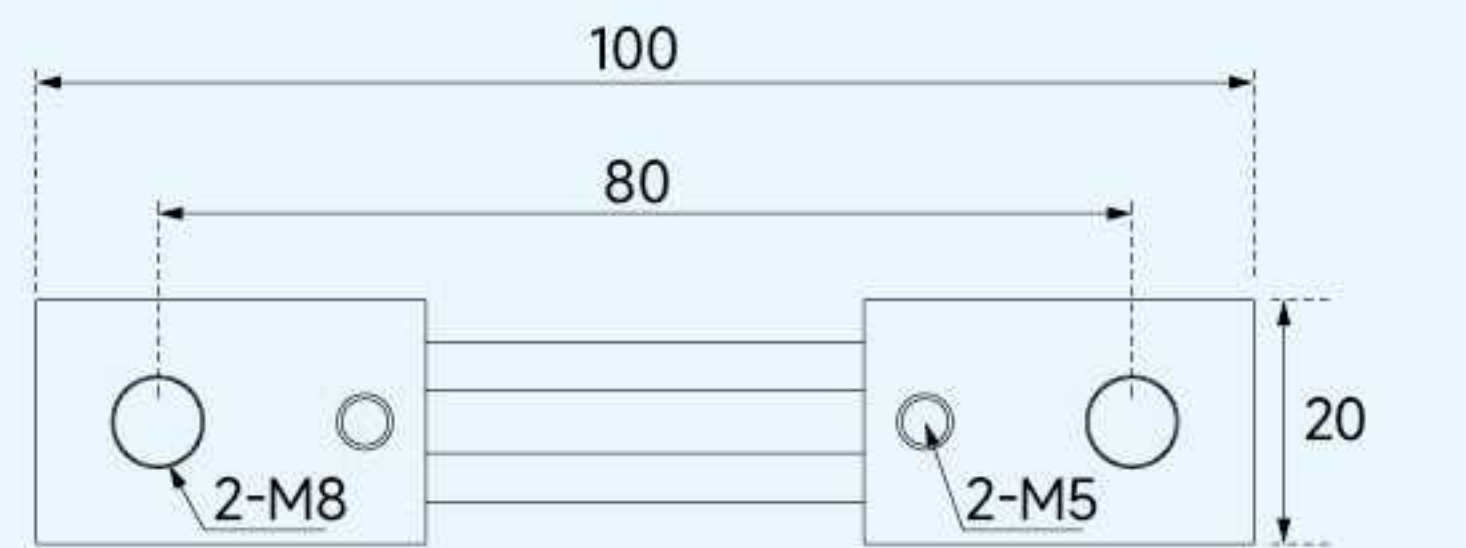
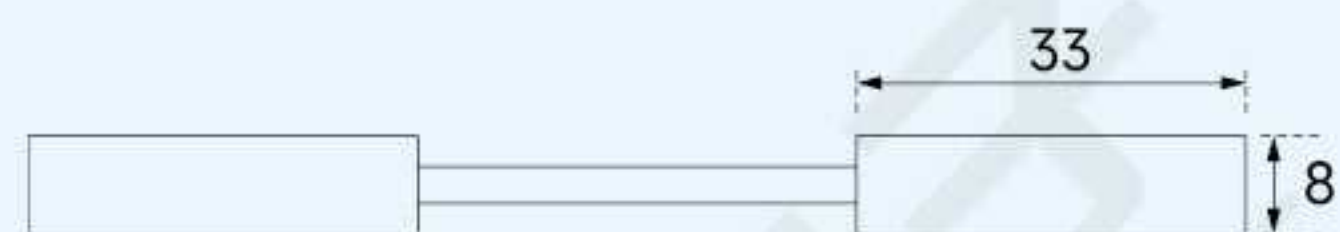
15A-20A



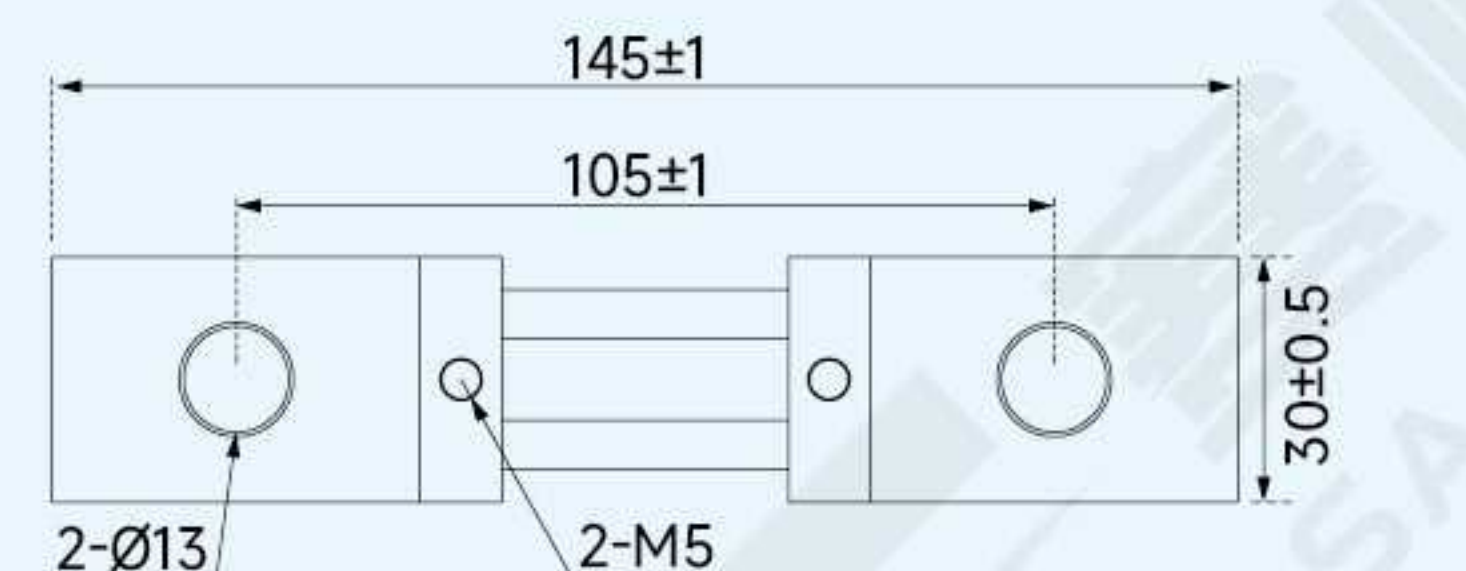
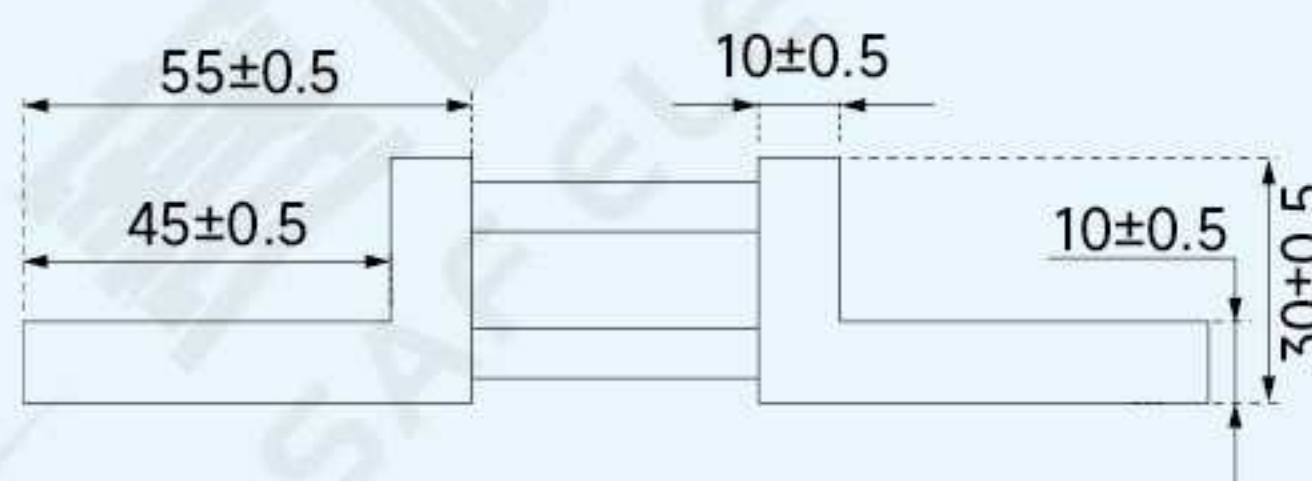
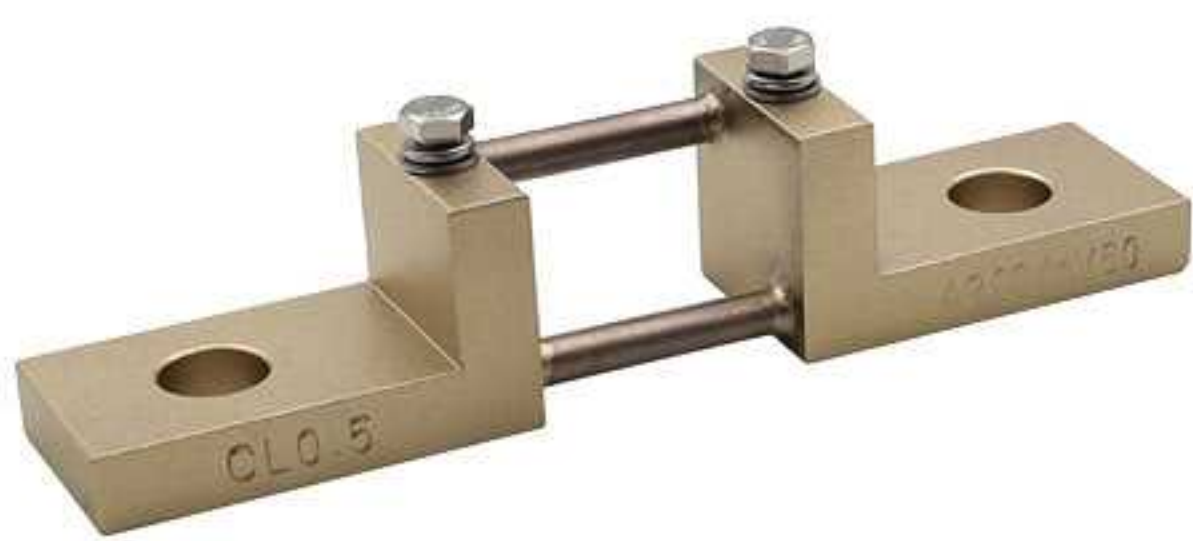
30A-60A



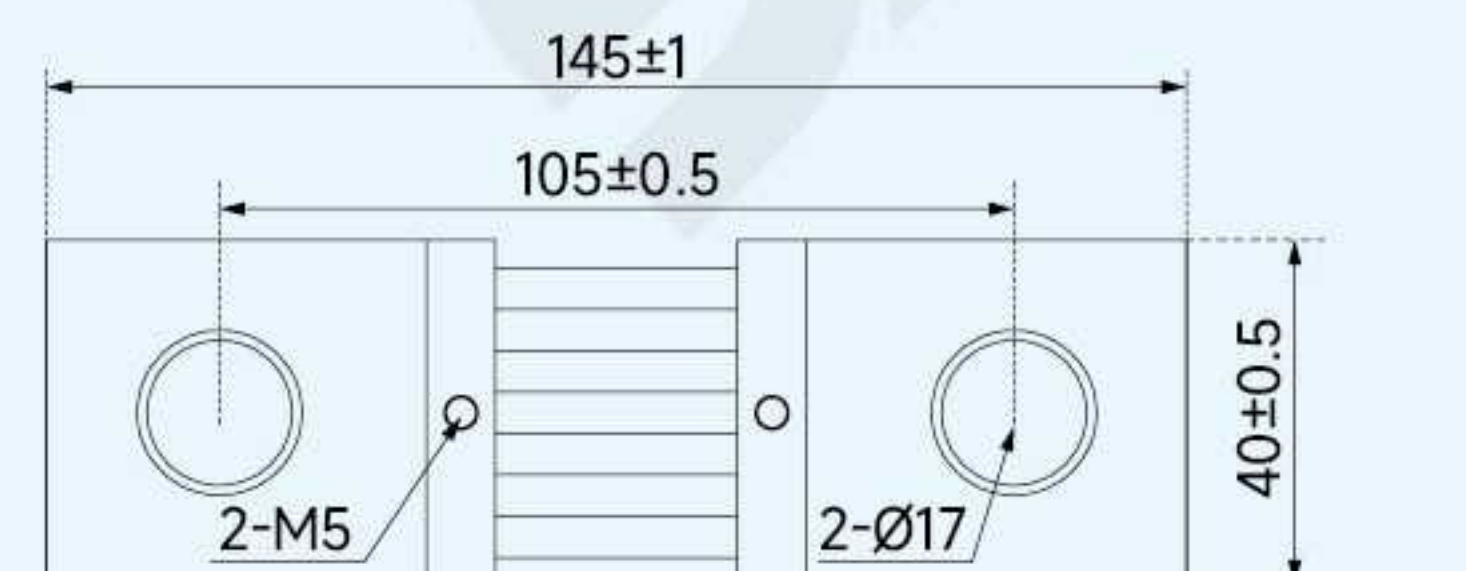
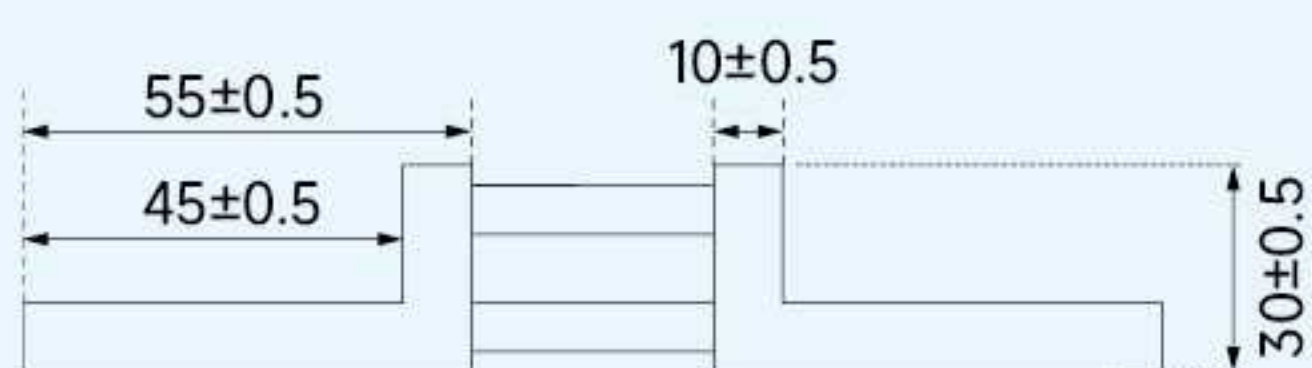
80A-150A



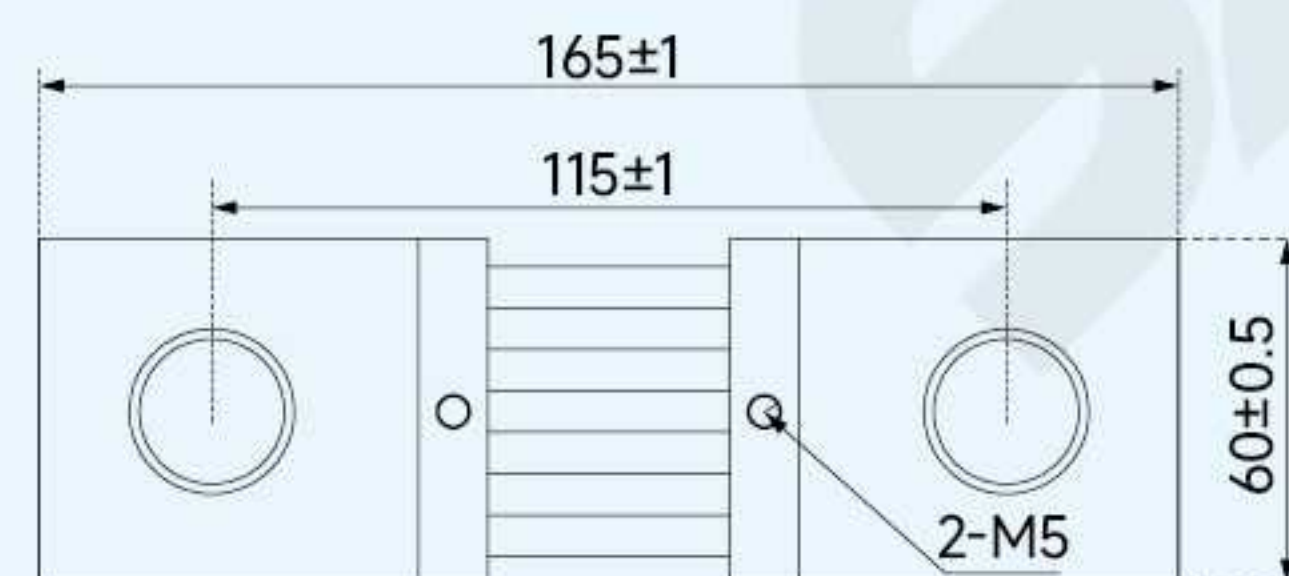
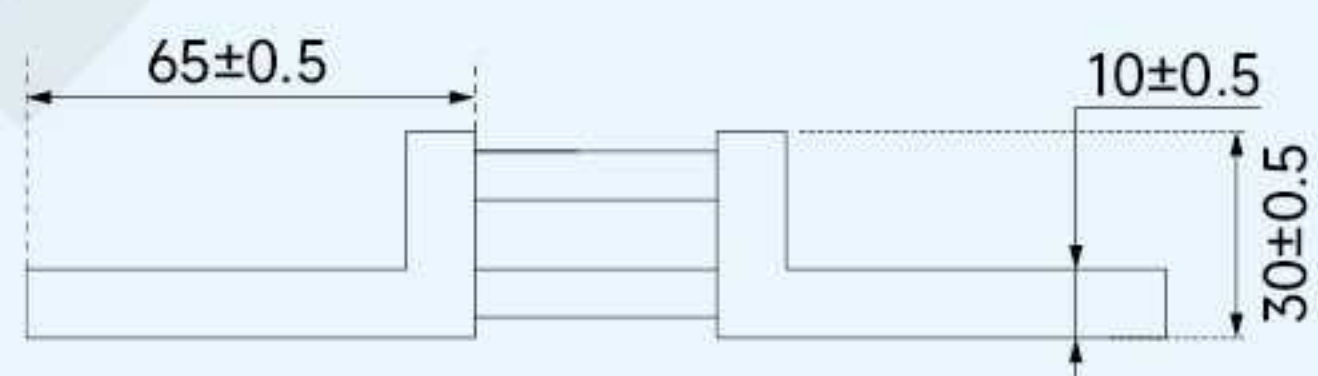
200A-300A



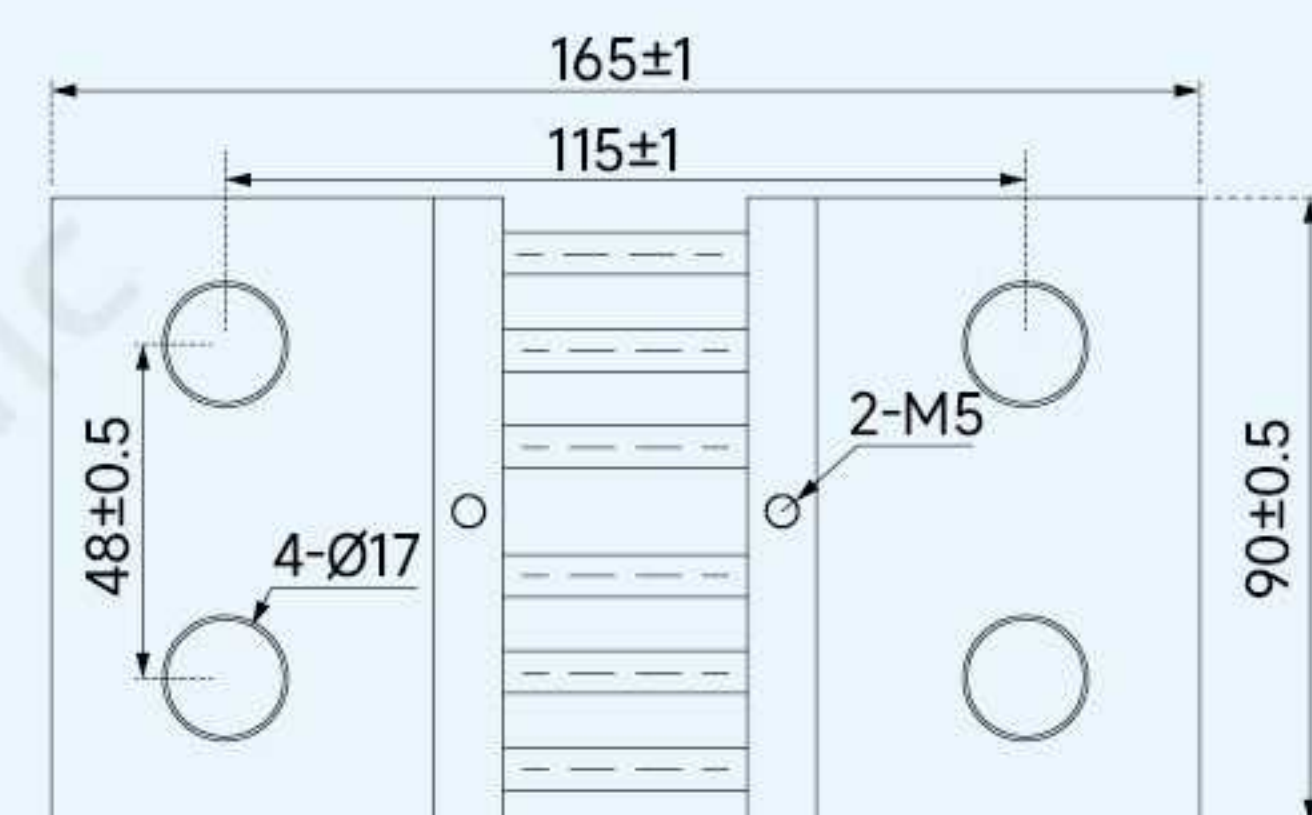
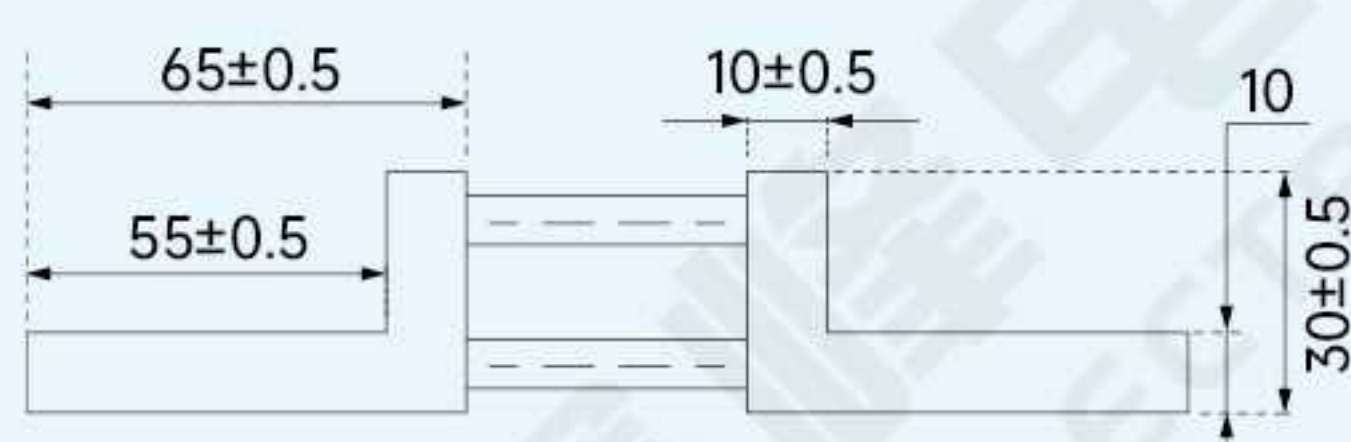
400A-600A



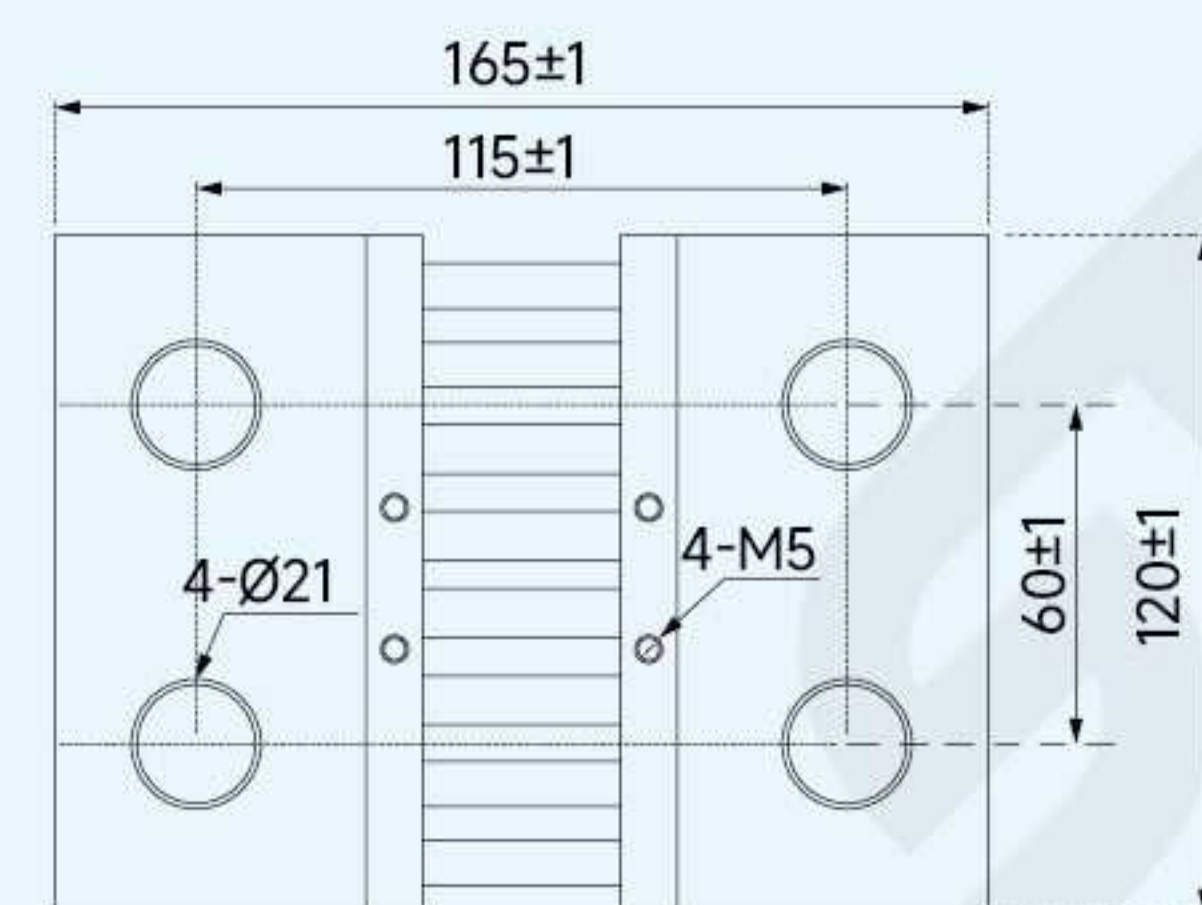
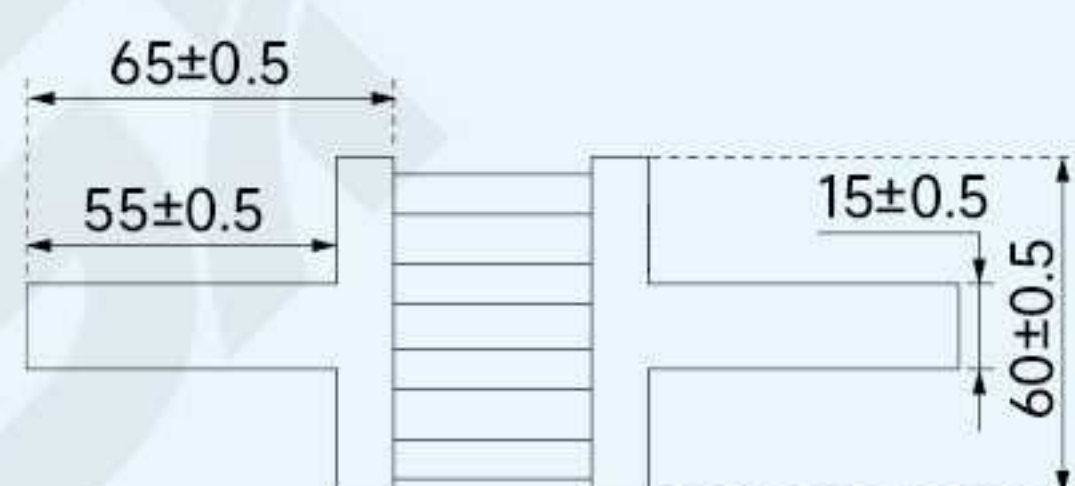
800A-1000A



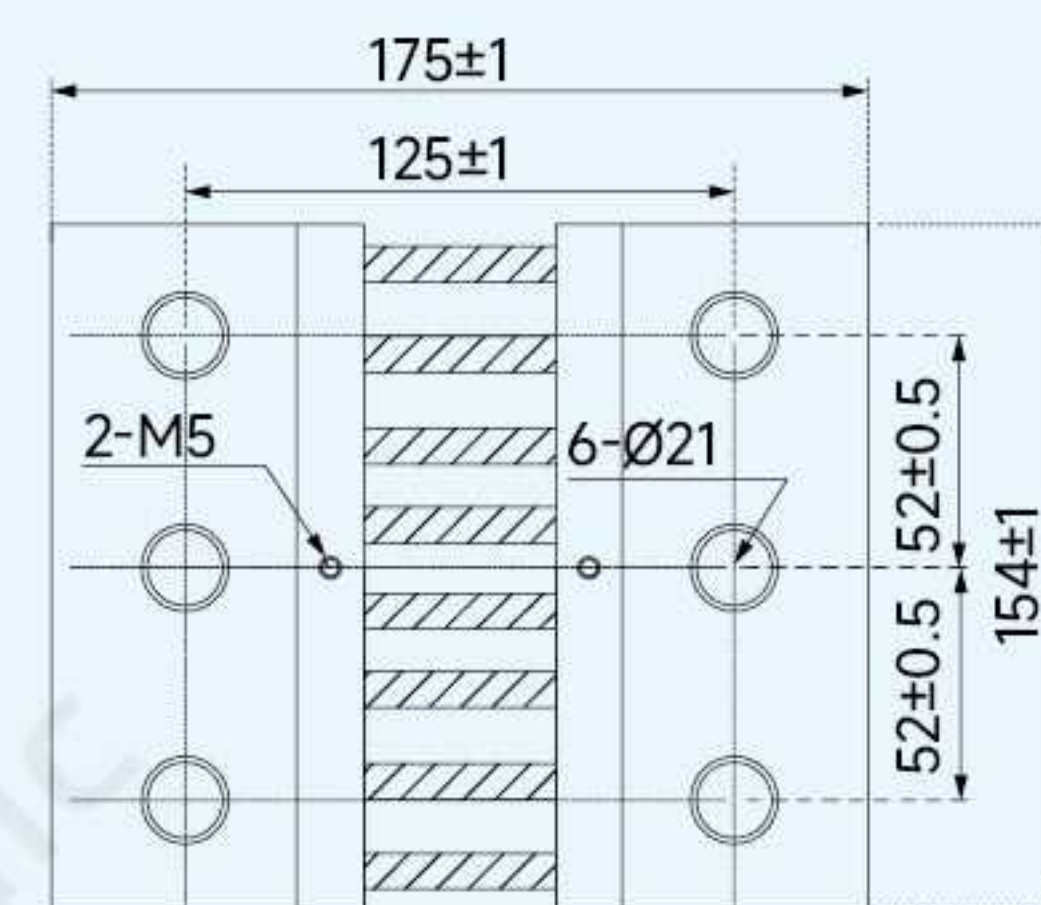
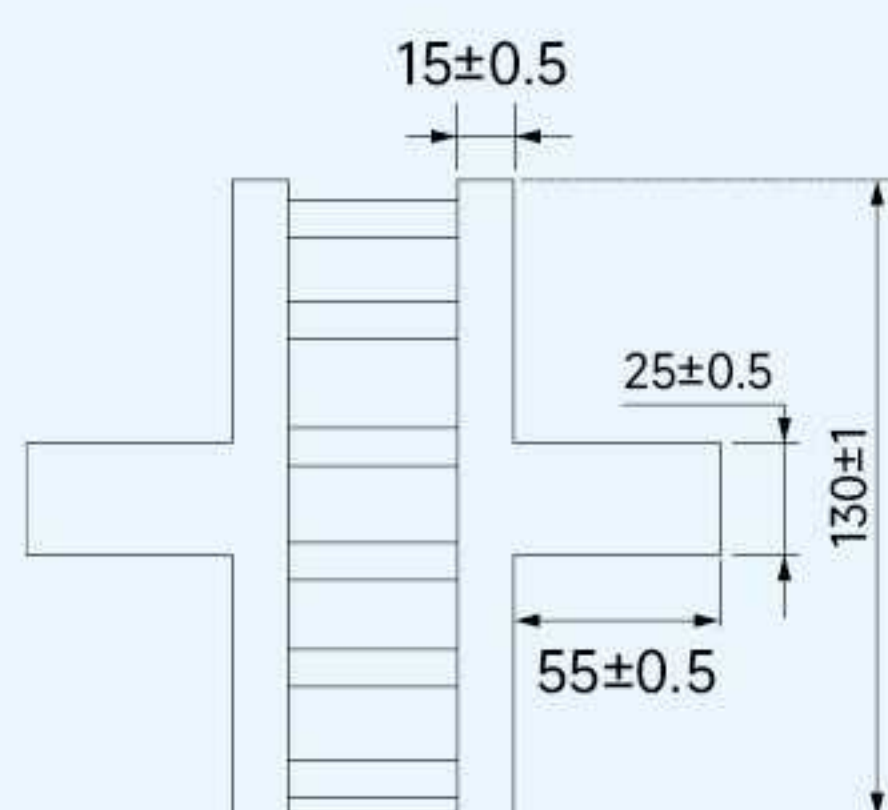
1500A-2000A



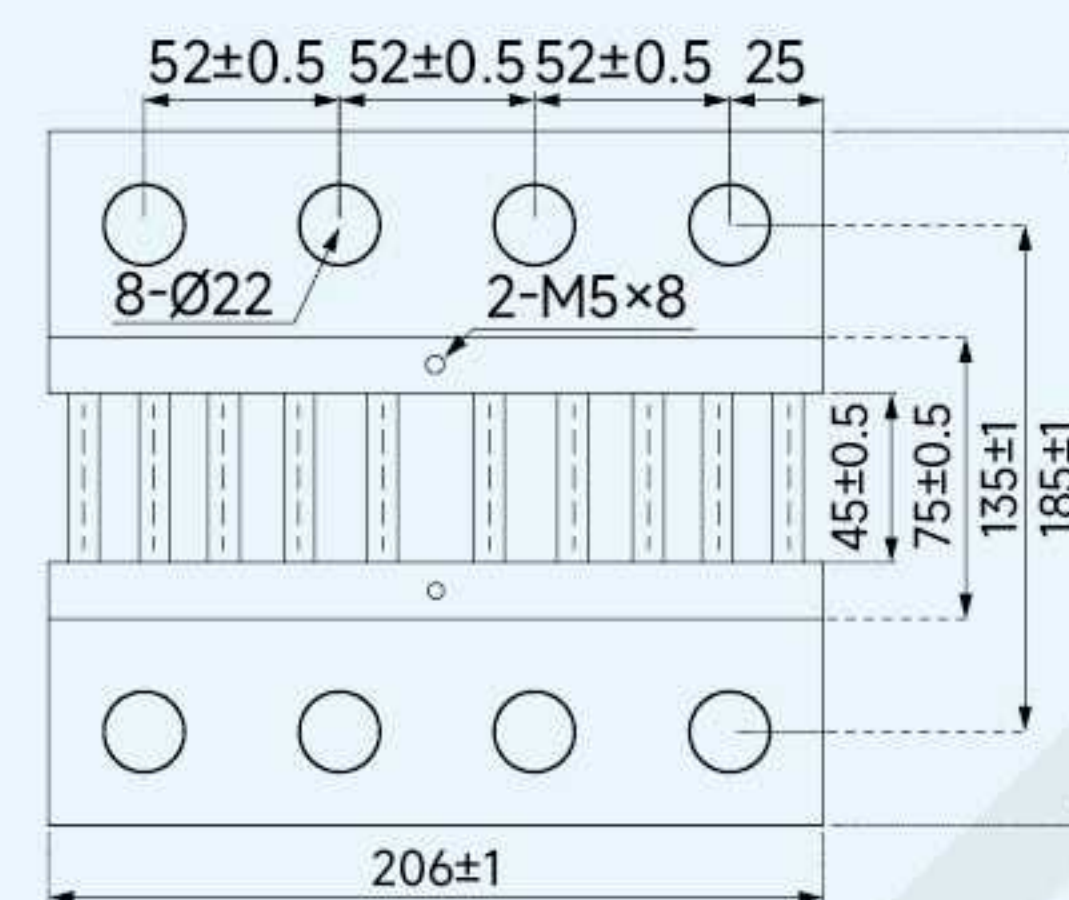
3000A-5000A



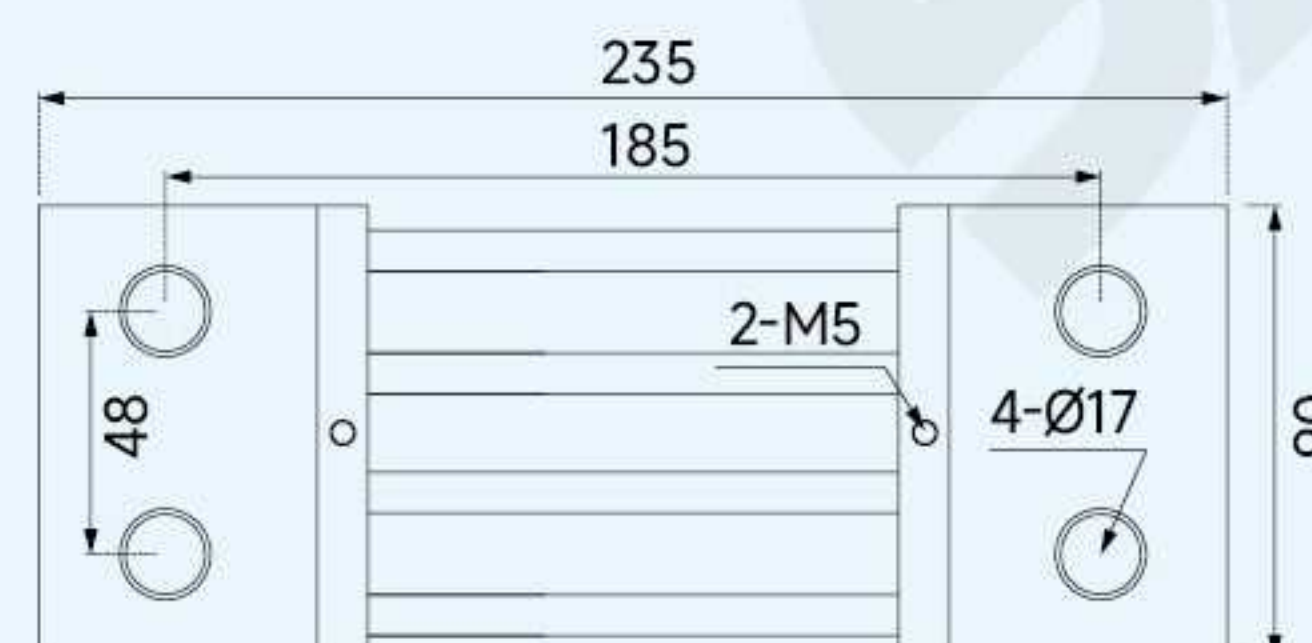
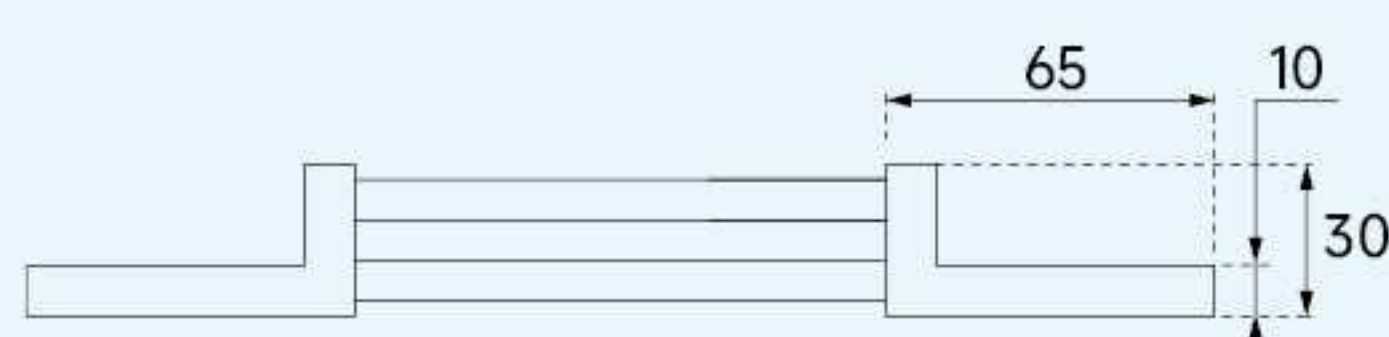
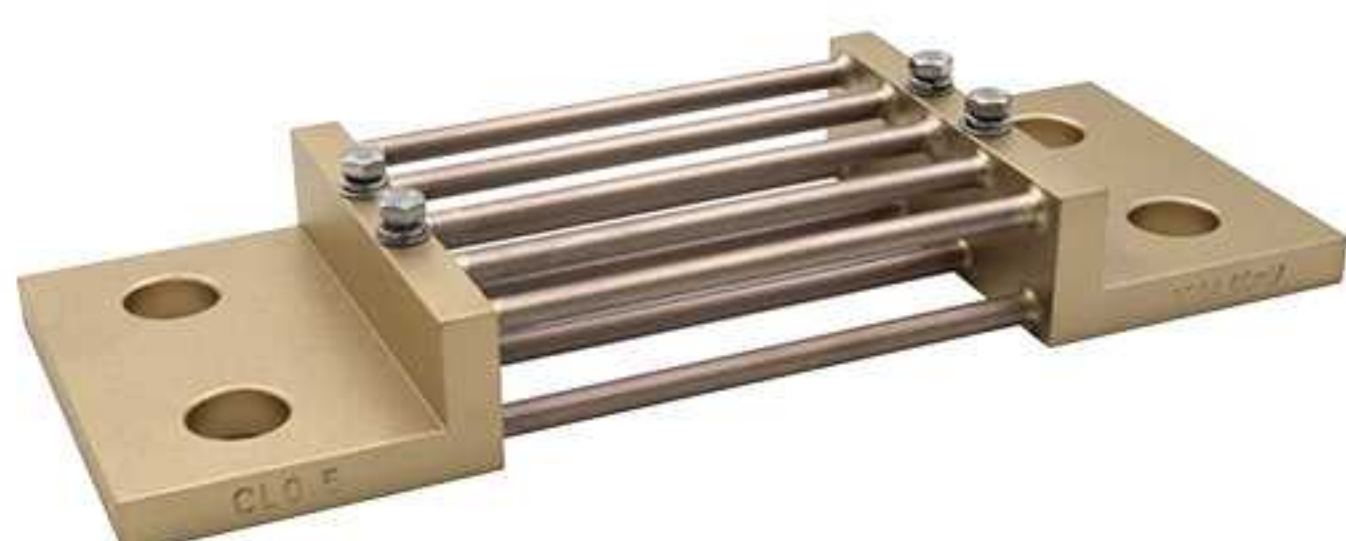
6000A



10000A



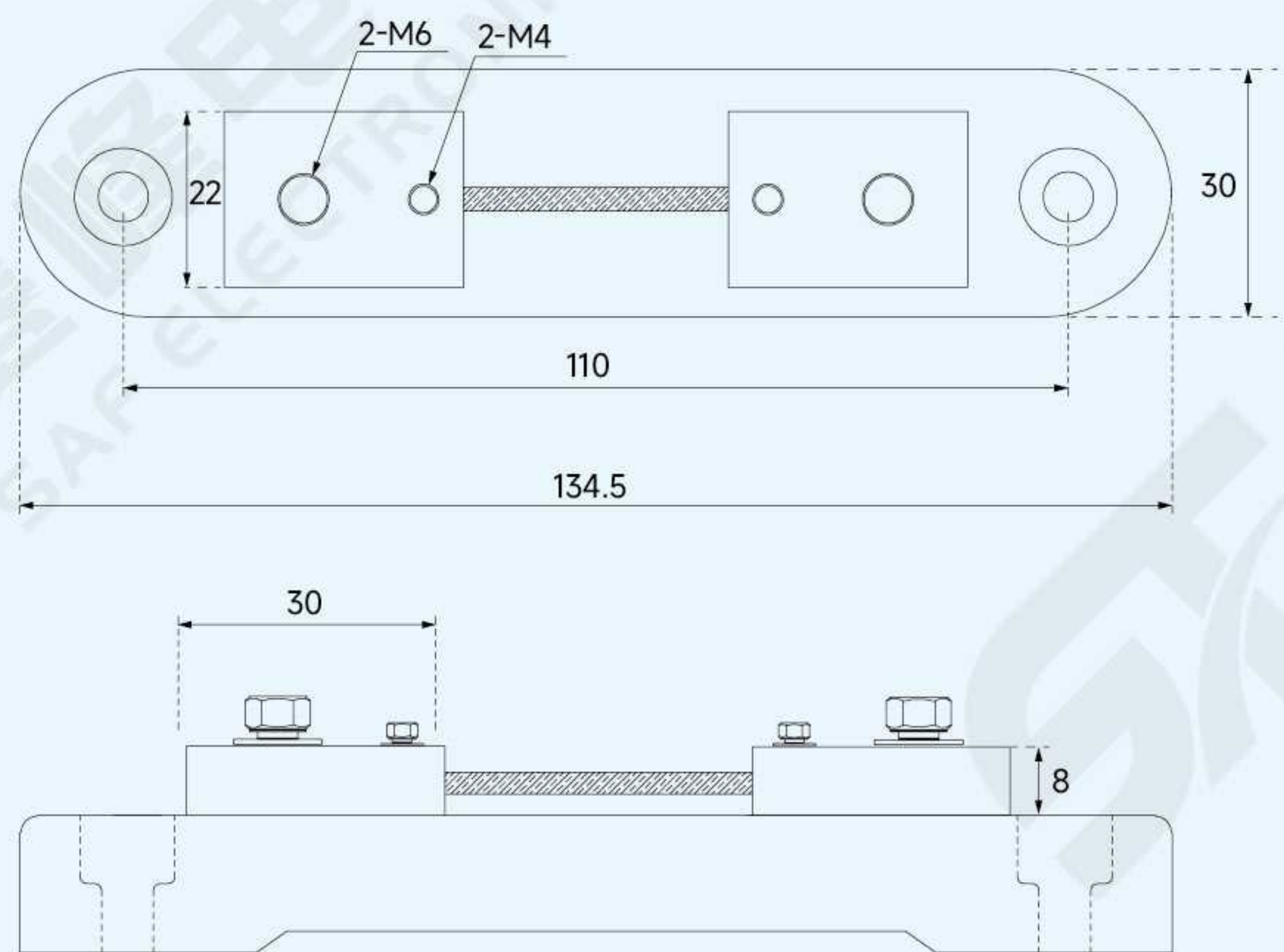
300A 长条 Long strip type



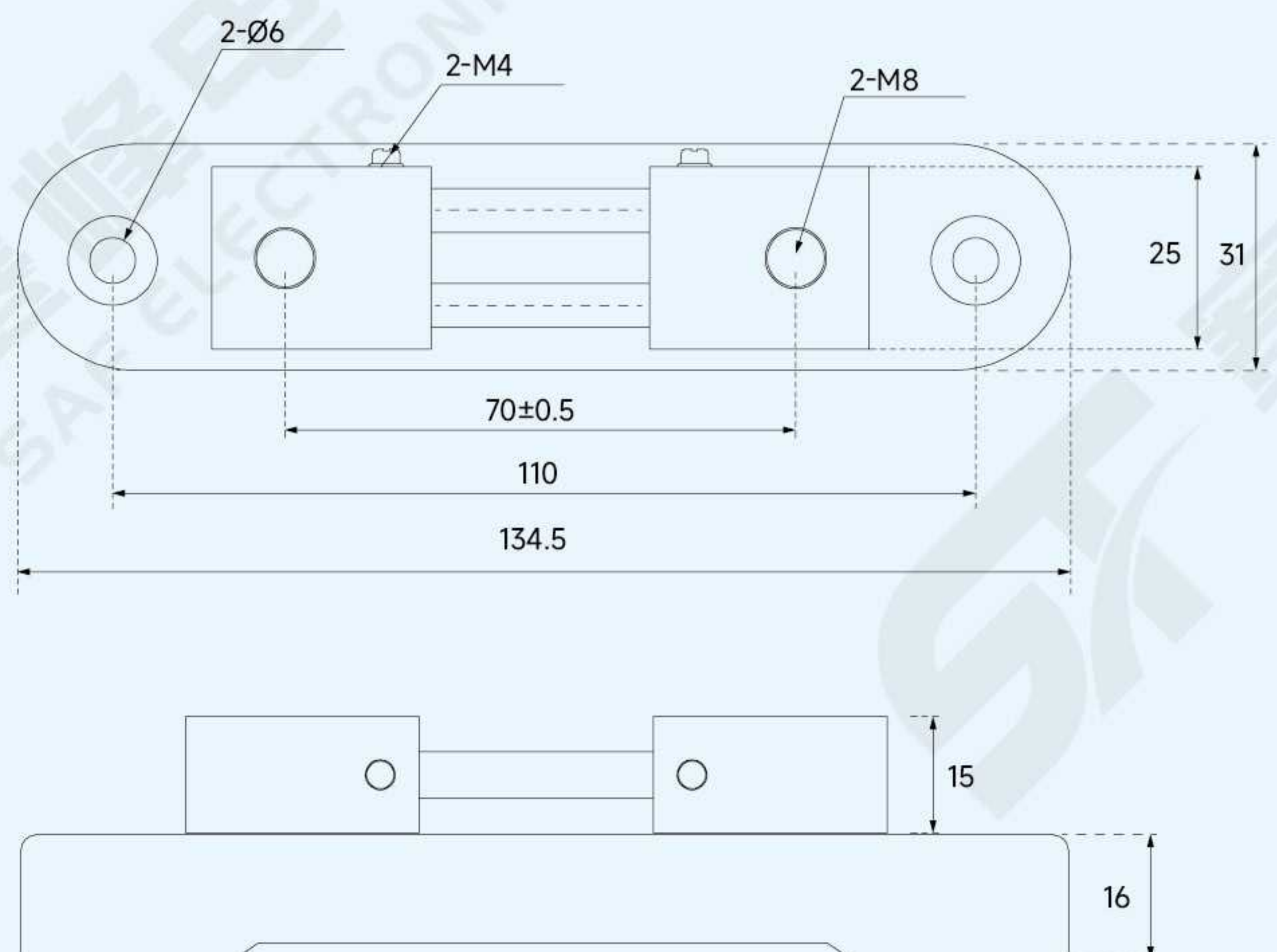
TAIWAN TYPE DC SHUNT

台湾型

10A-150A



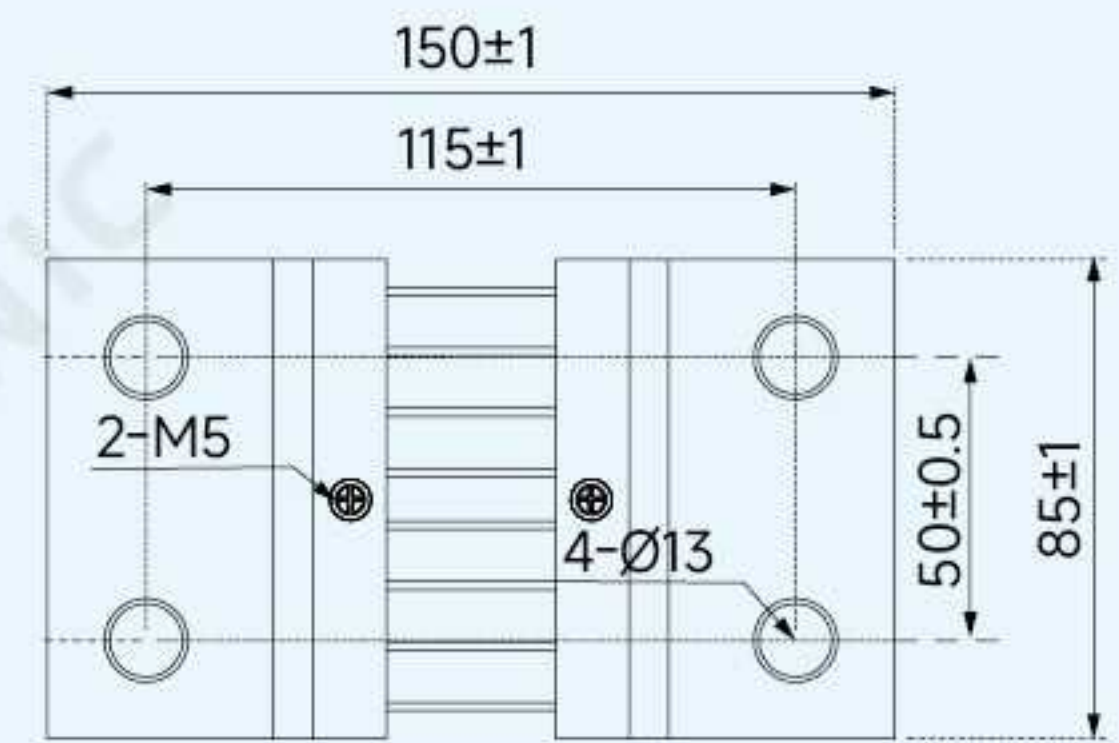
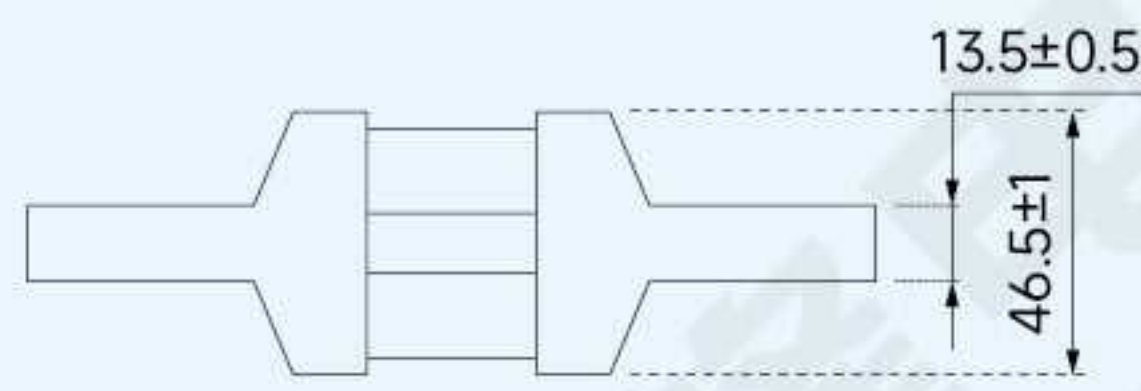
200A-300A



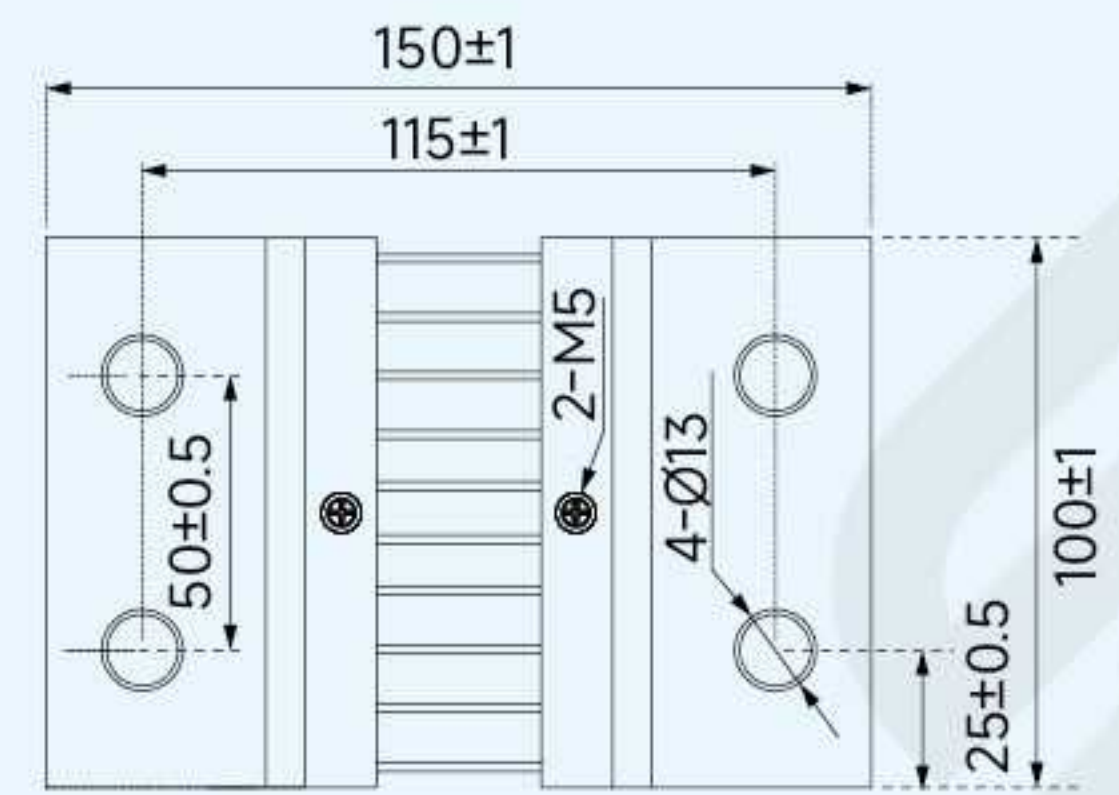
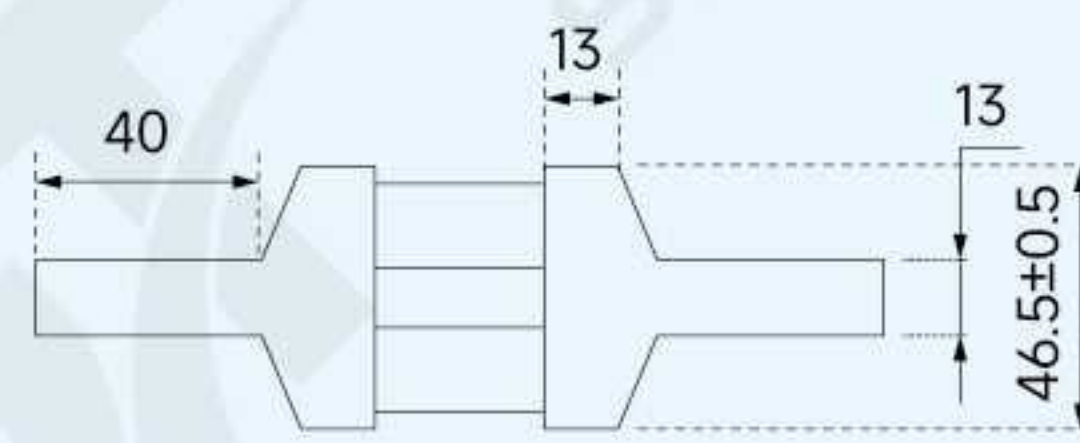
FL-39 DC SHUNT

FL-39 型

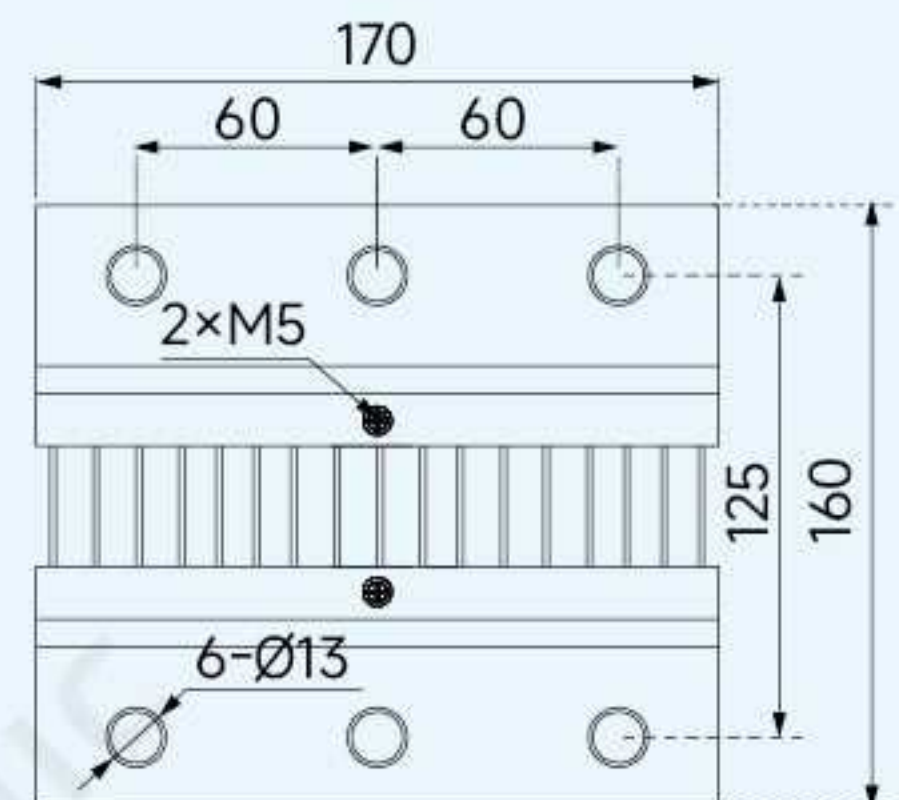
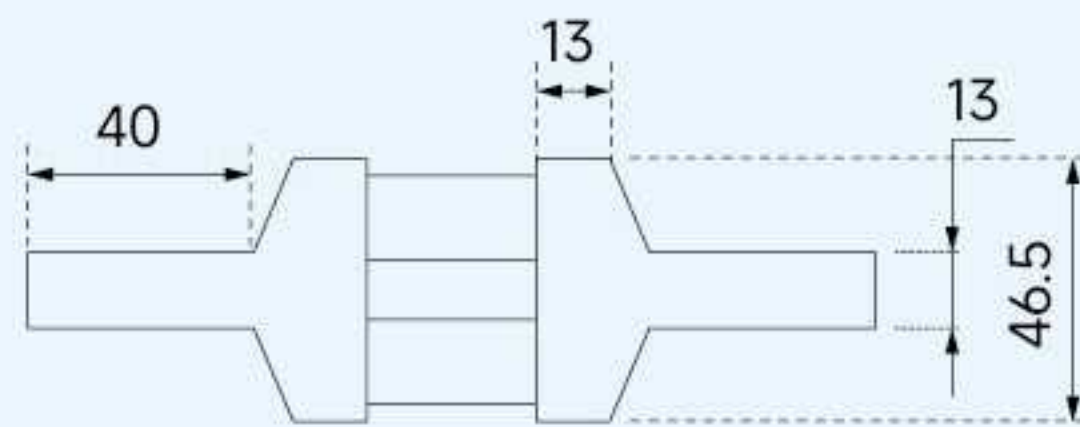
1200A-2500A



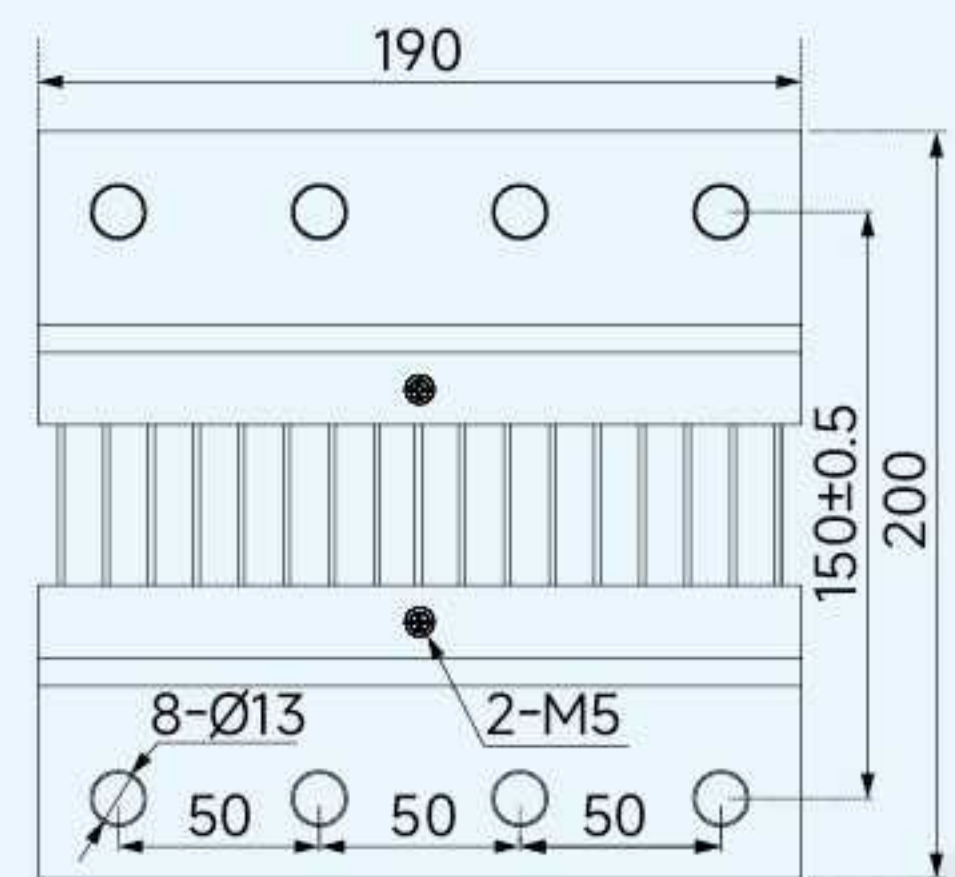
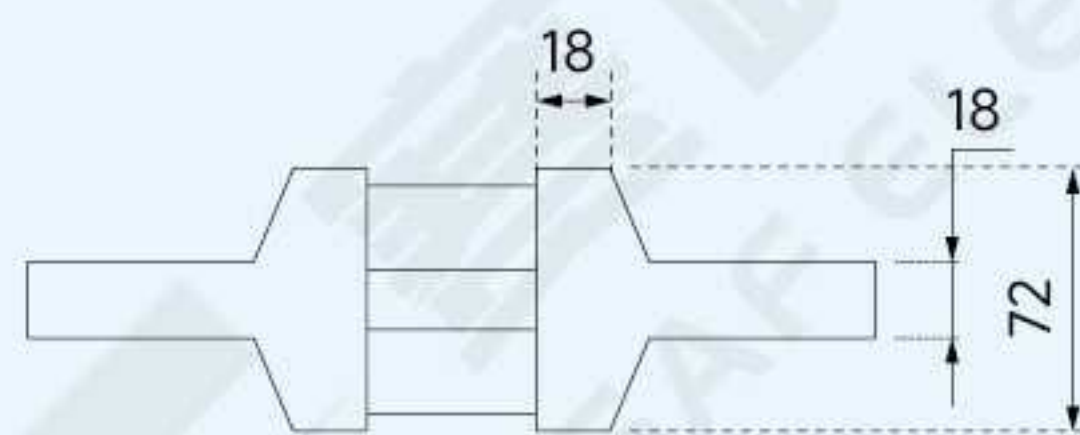
3000A



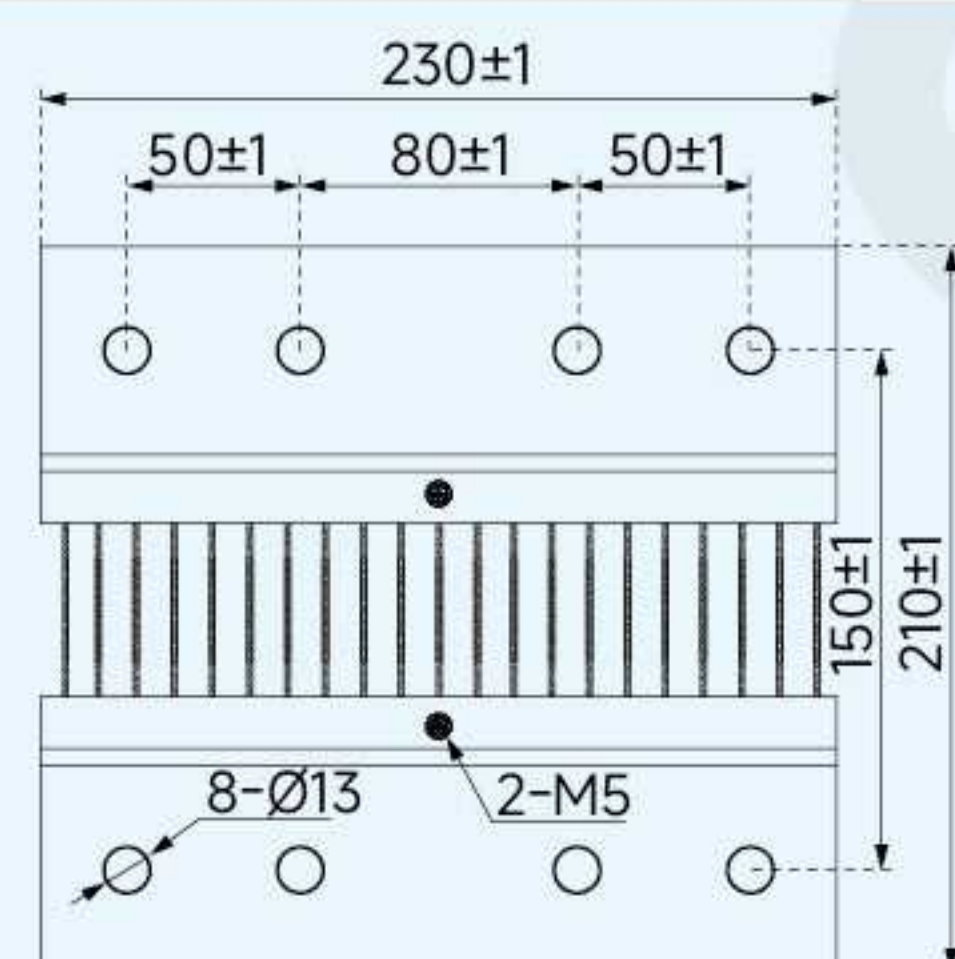
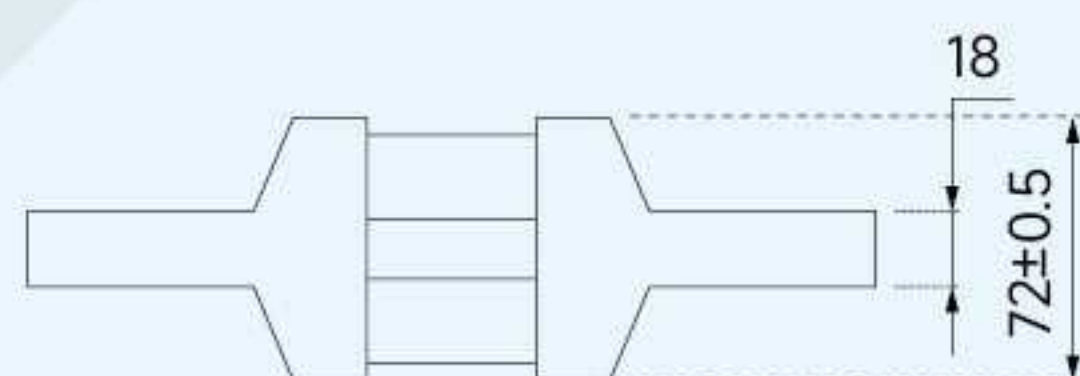
4000A



5000A



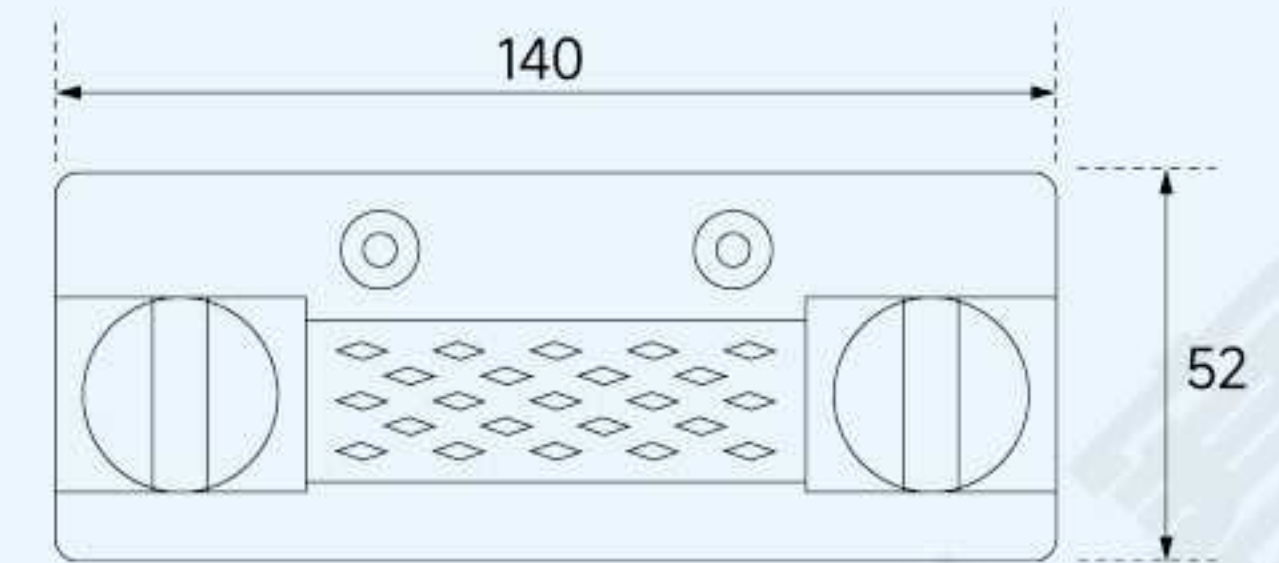
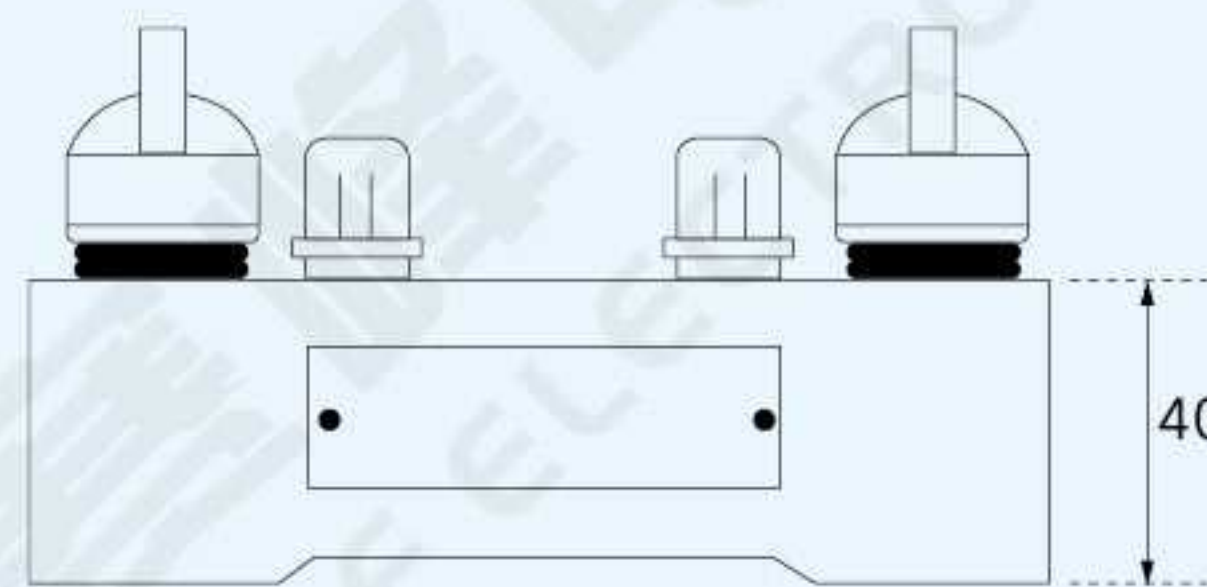
6000A



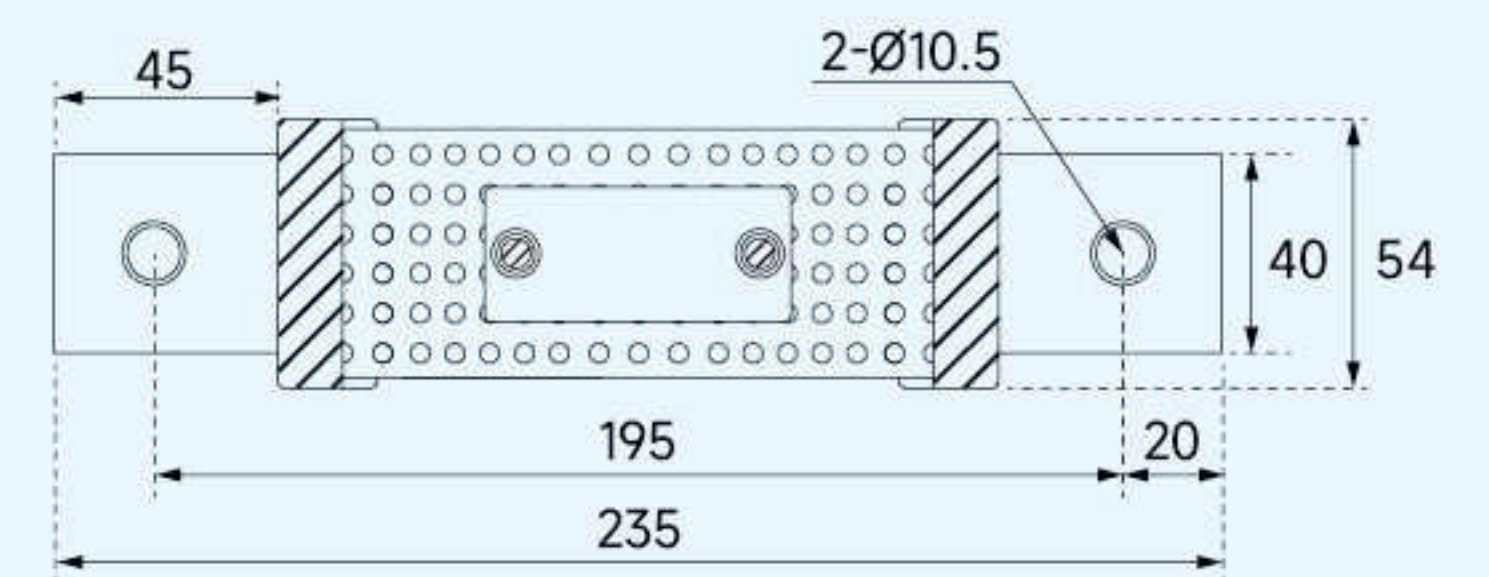
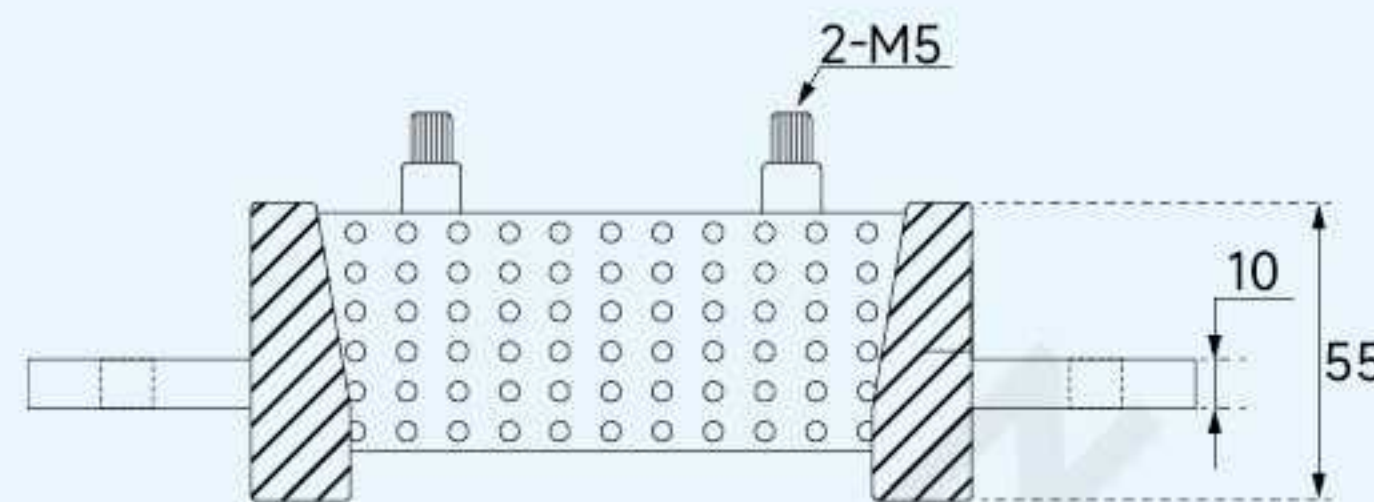
FL-27、FL-28 HIGH PRECISION DC SHUNT

高精度 FL-27、28 型

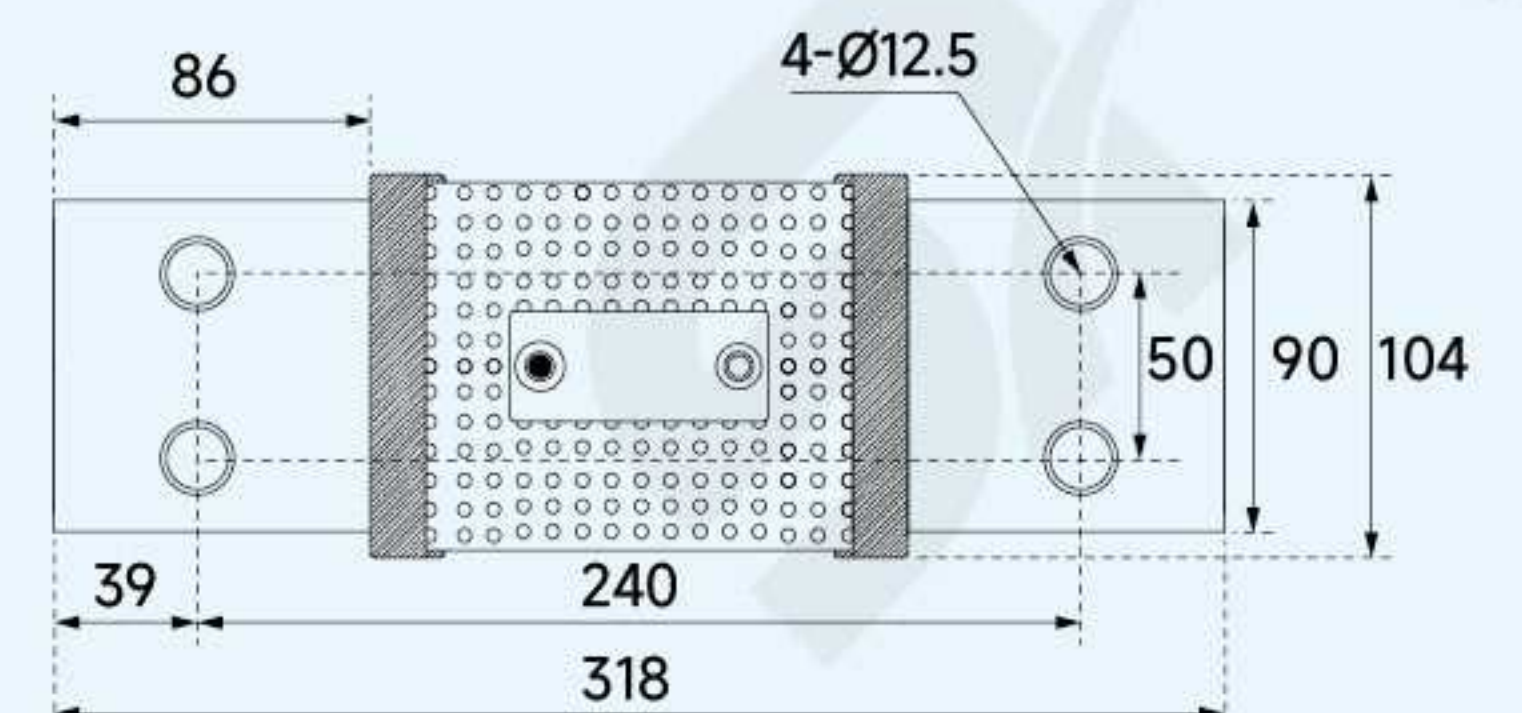
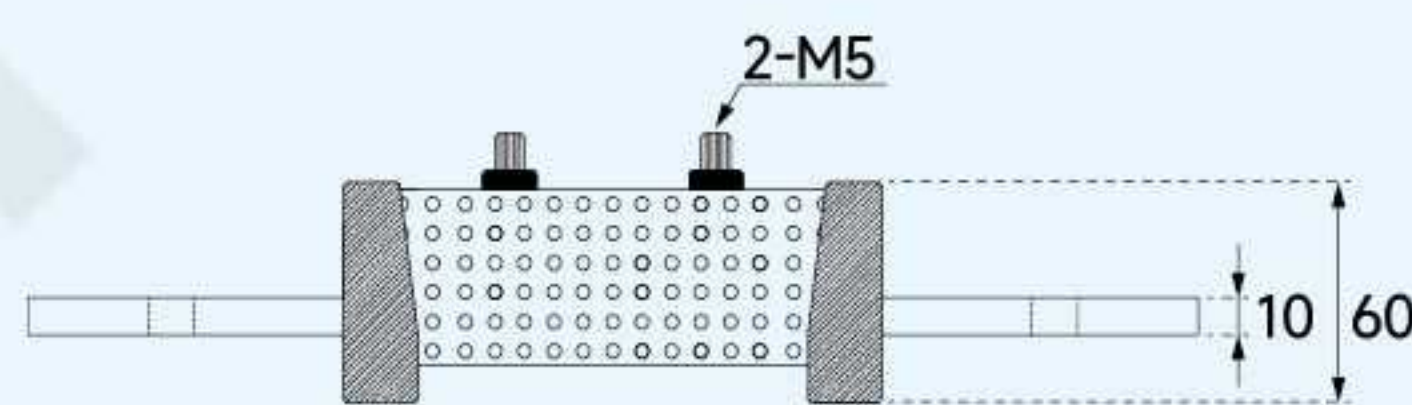
FL-27(10A-300A)



FL-28(300A)



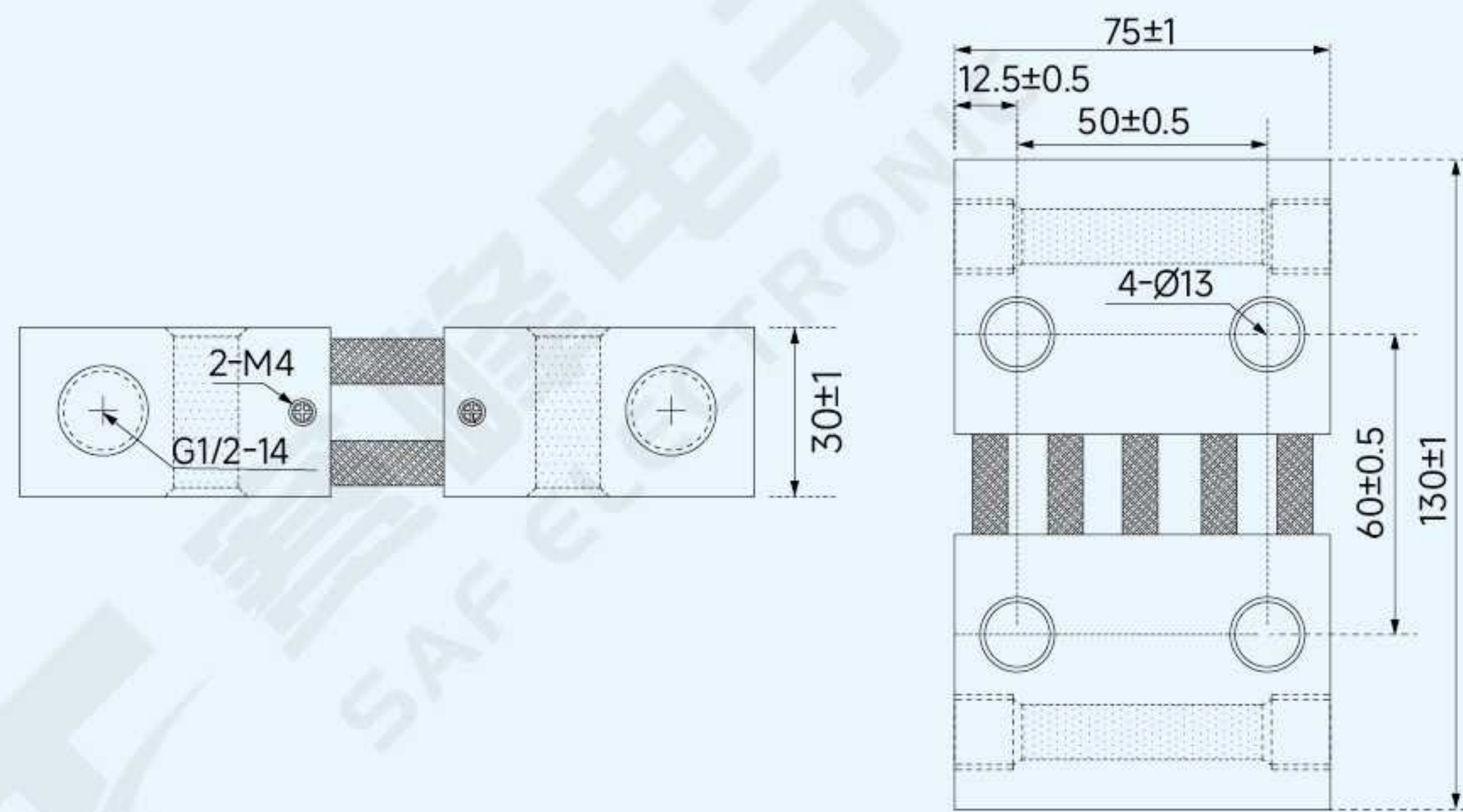
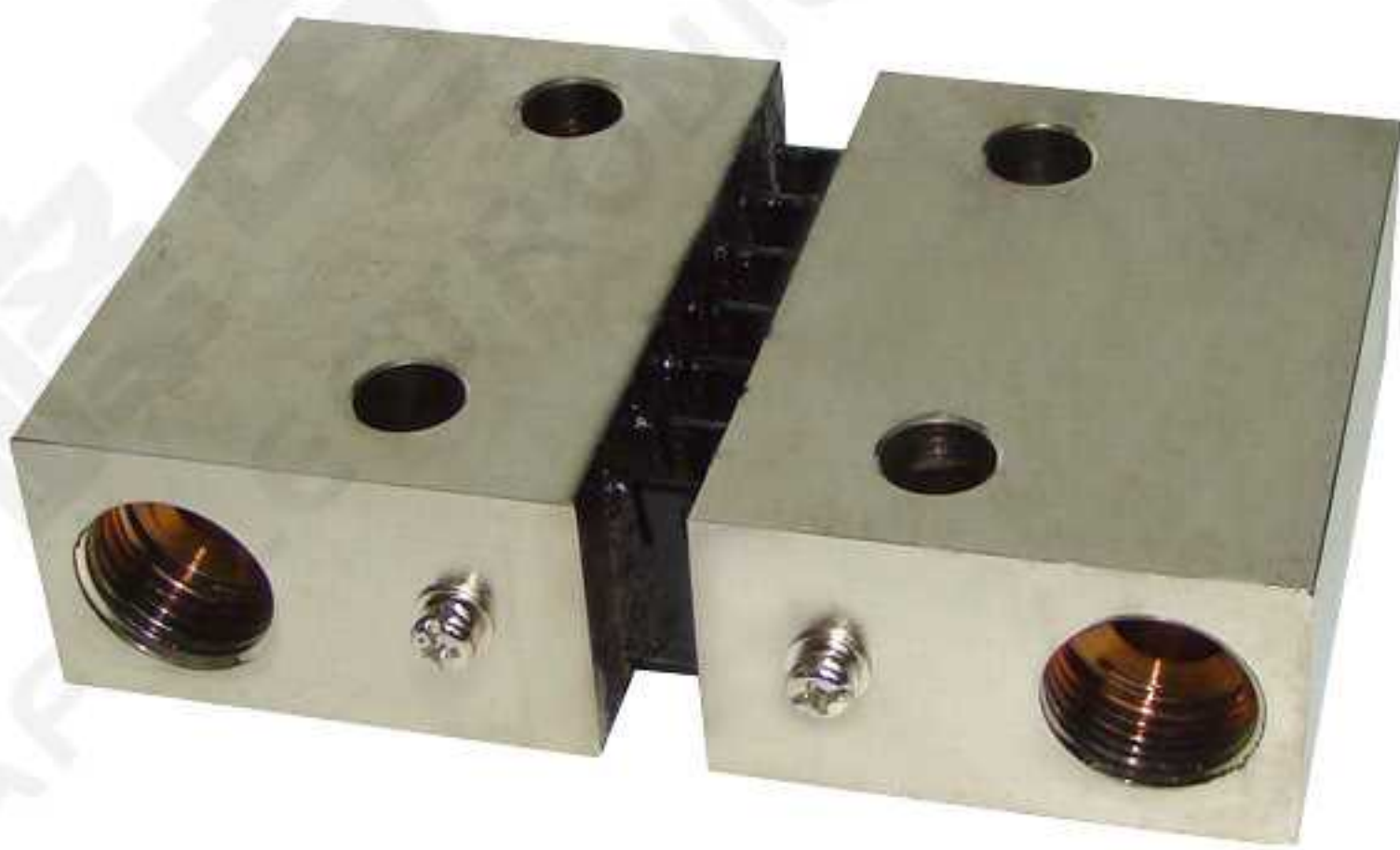
FL-28(1000A)



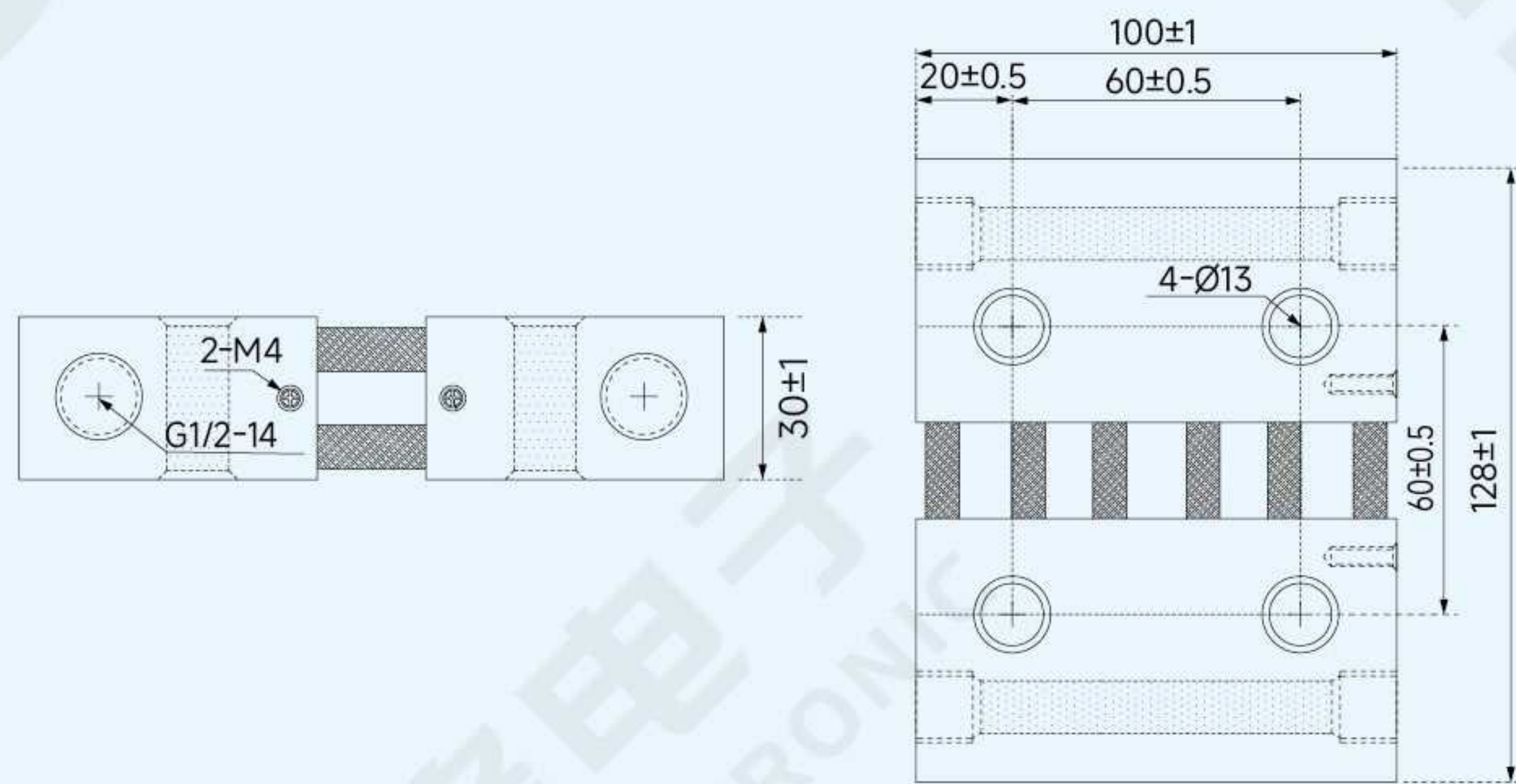
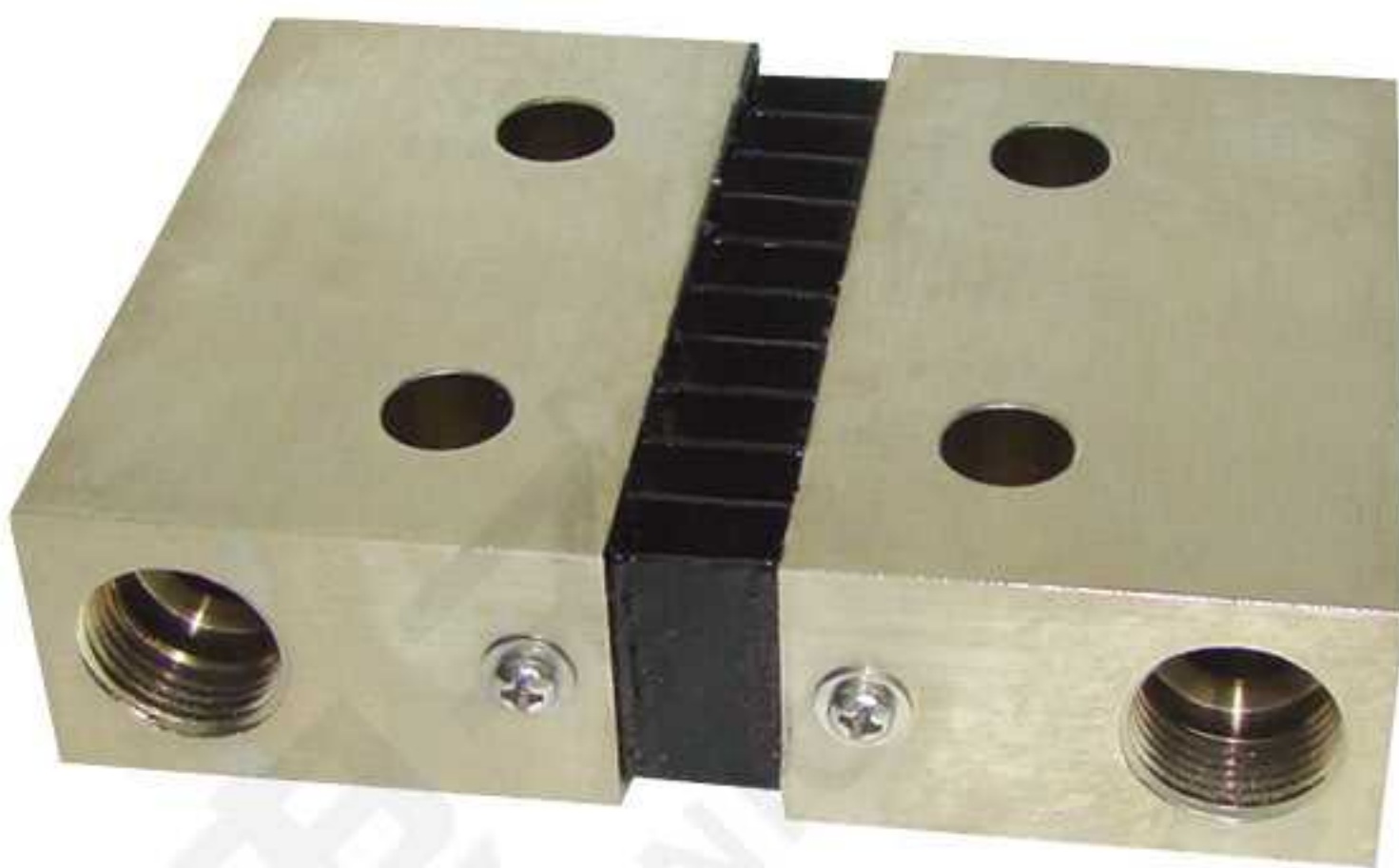
FL-WATER COOLED DC SHUNT

FL- 水冷型

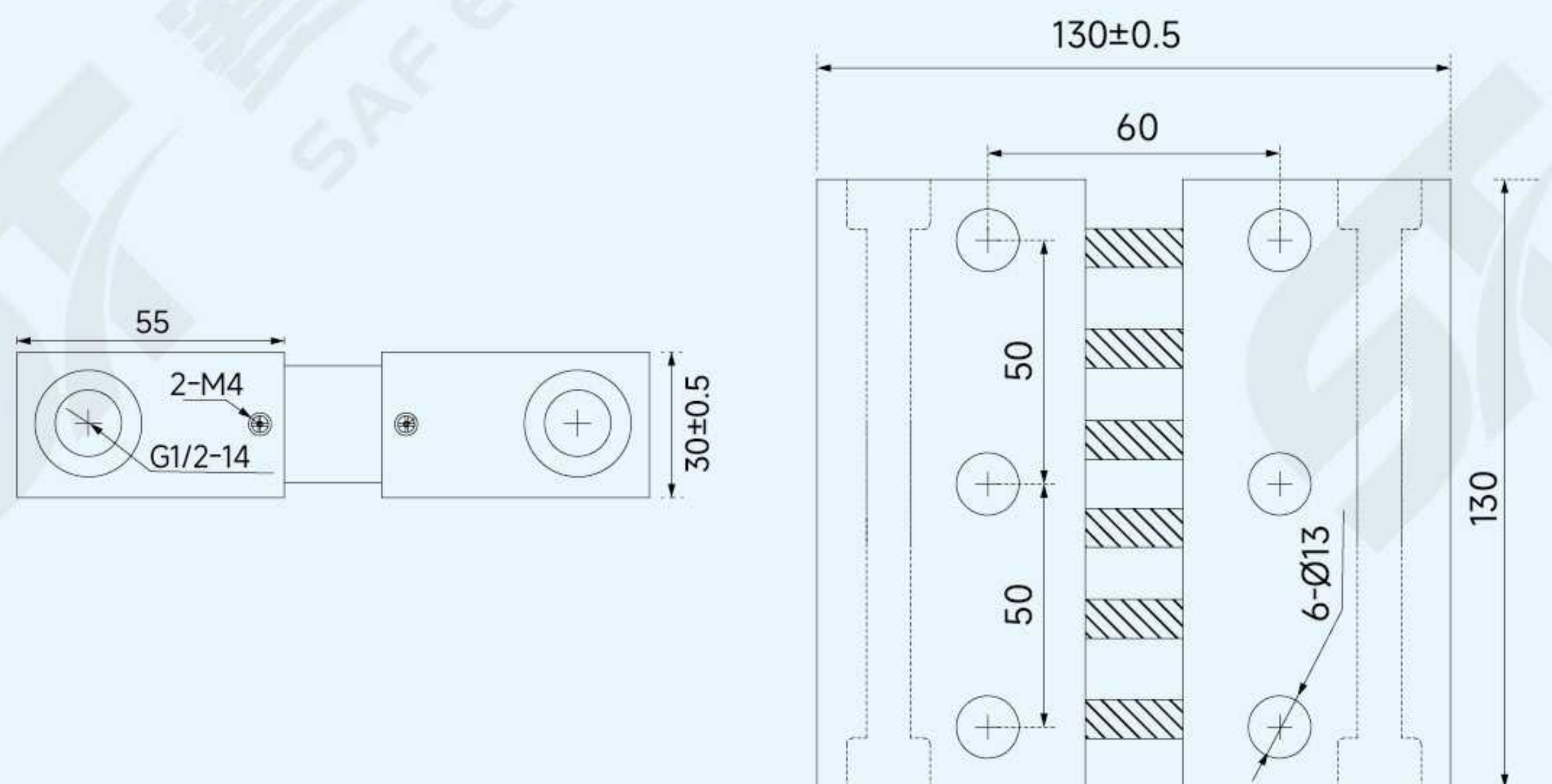
1500-2000A



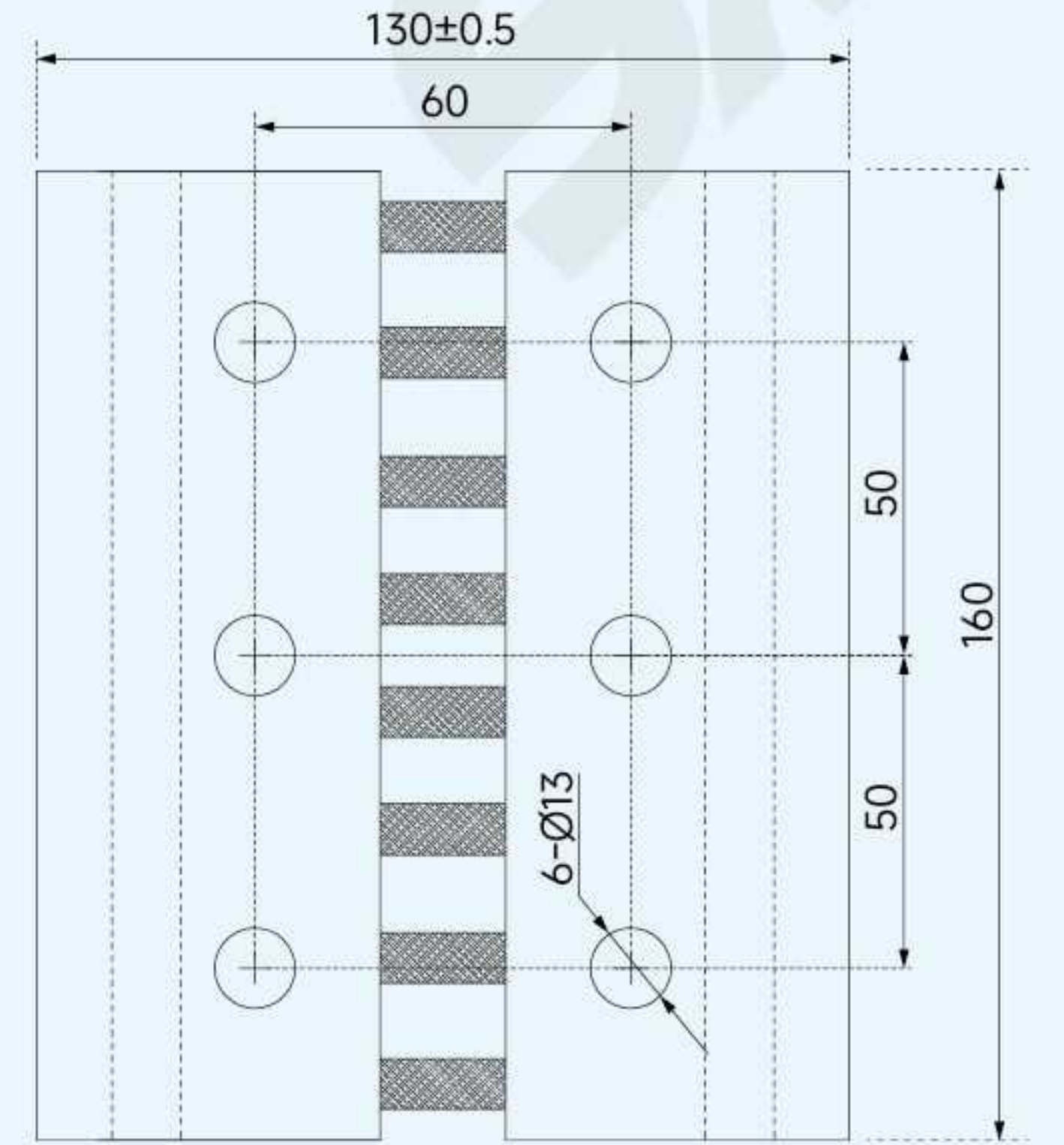
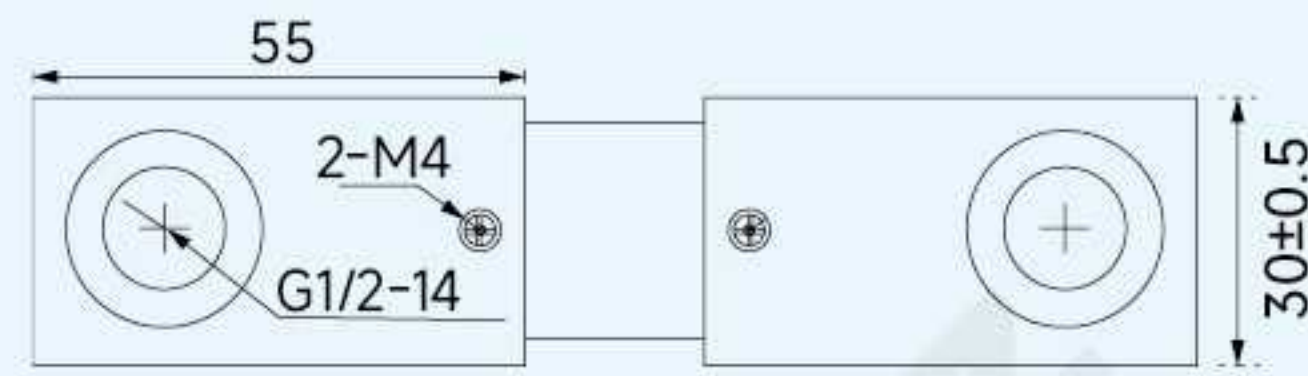
3000A-4000A



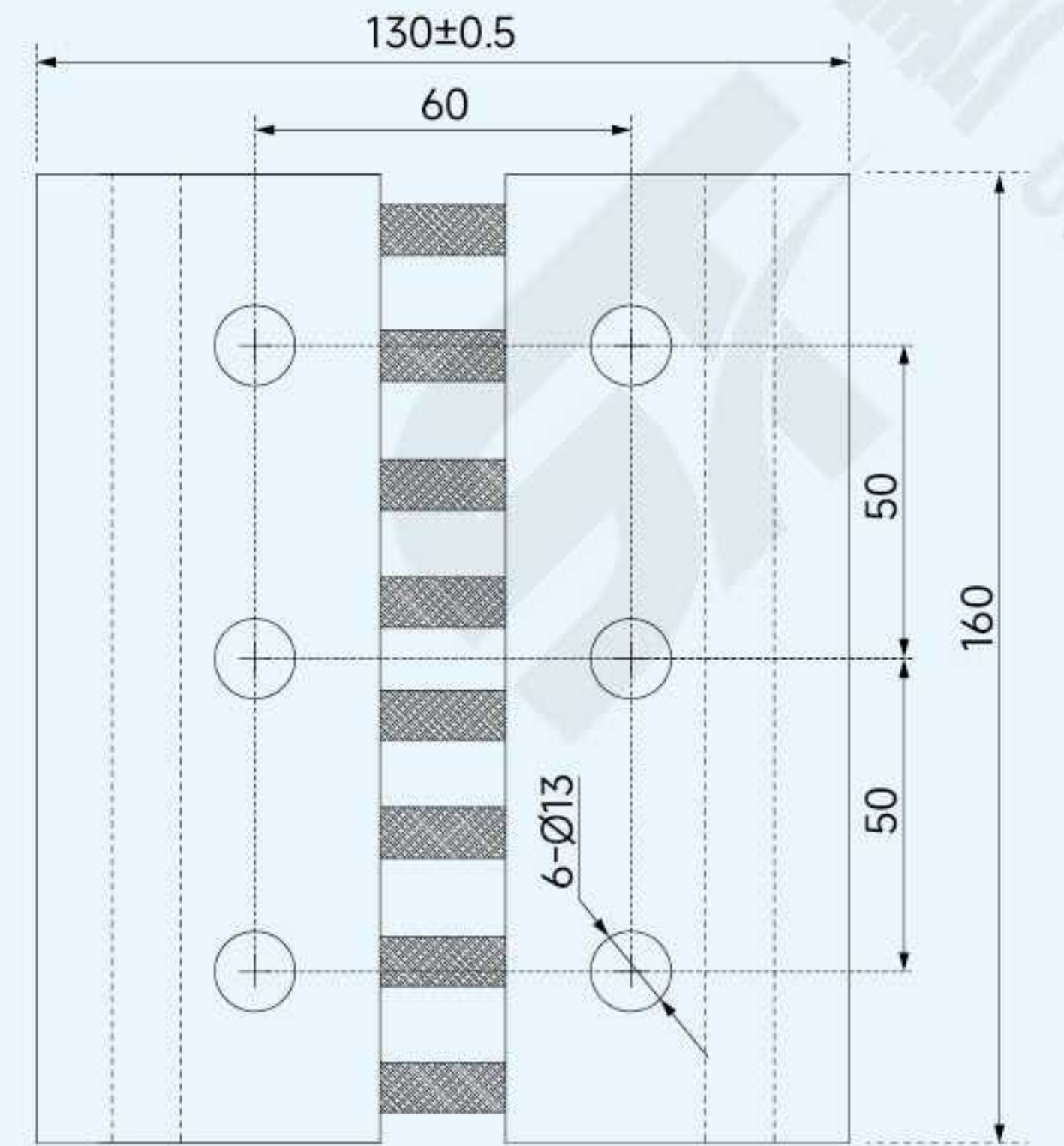
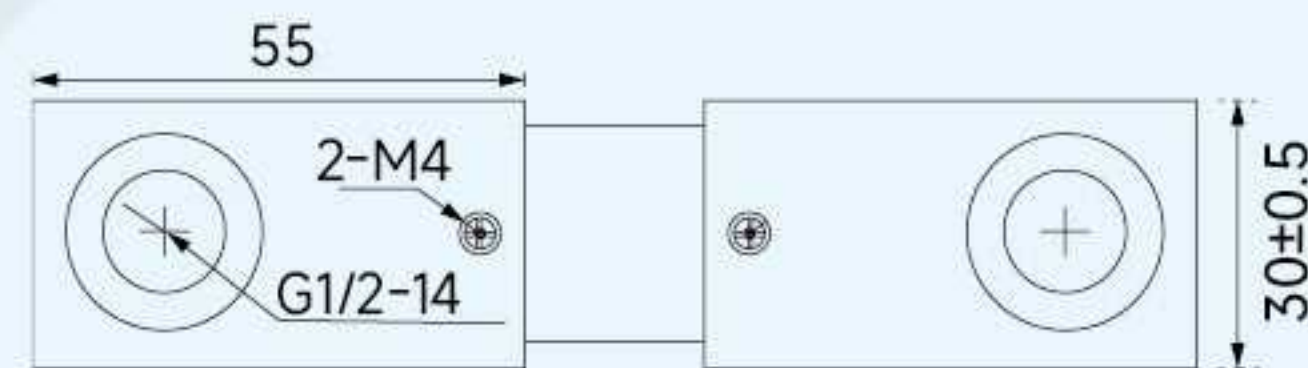
5000A



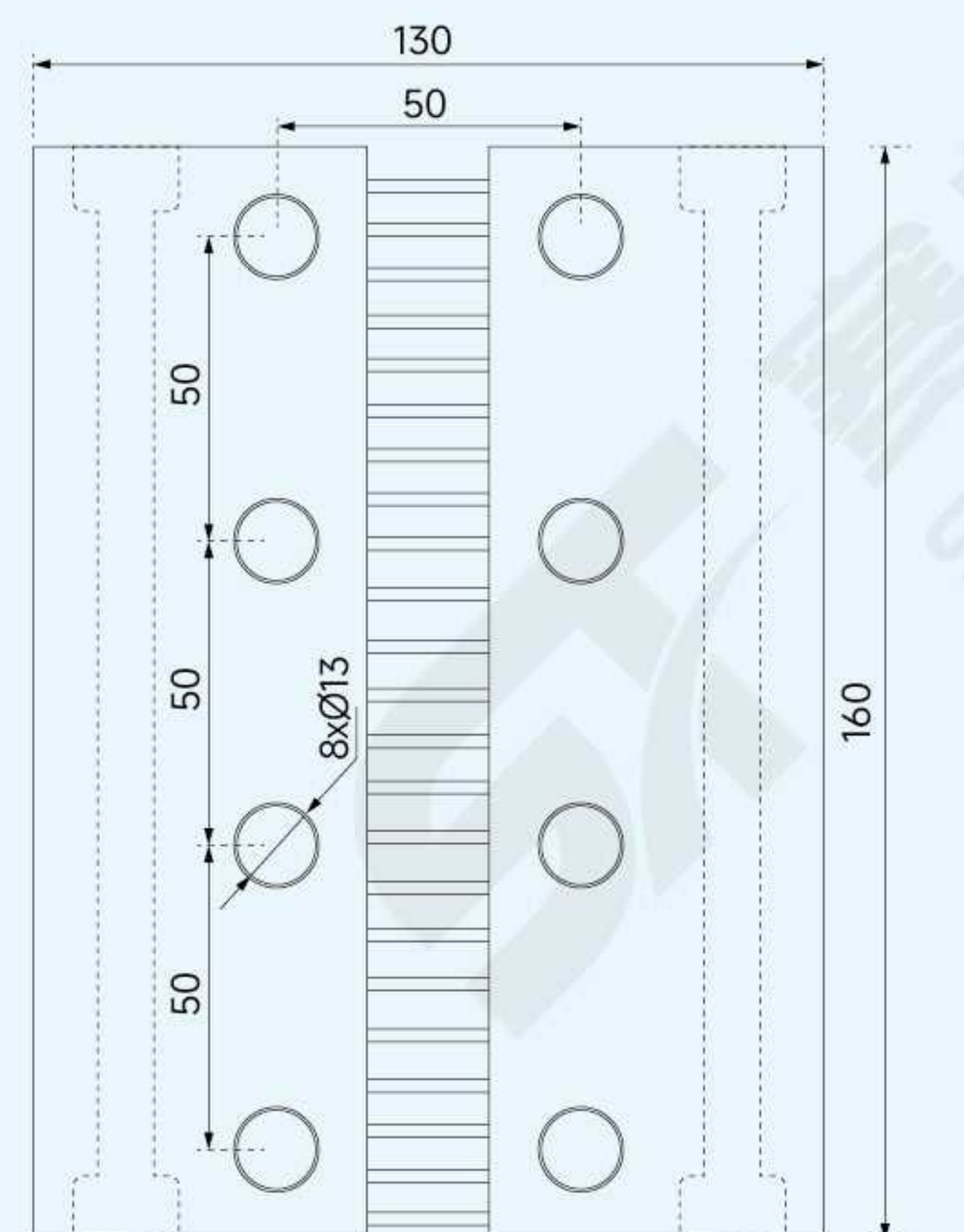
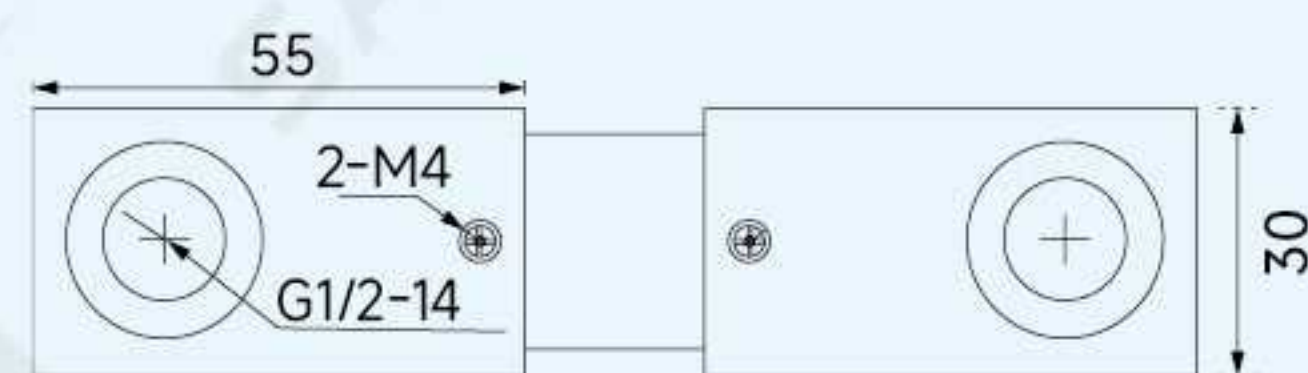
6000A



8000A



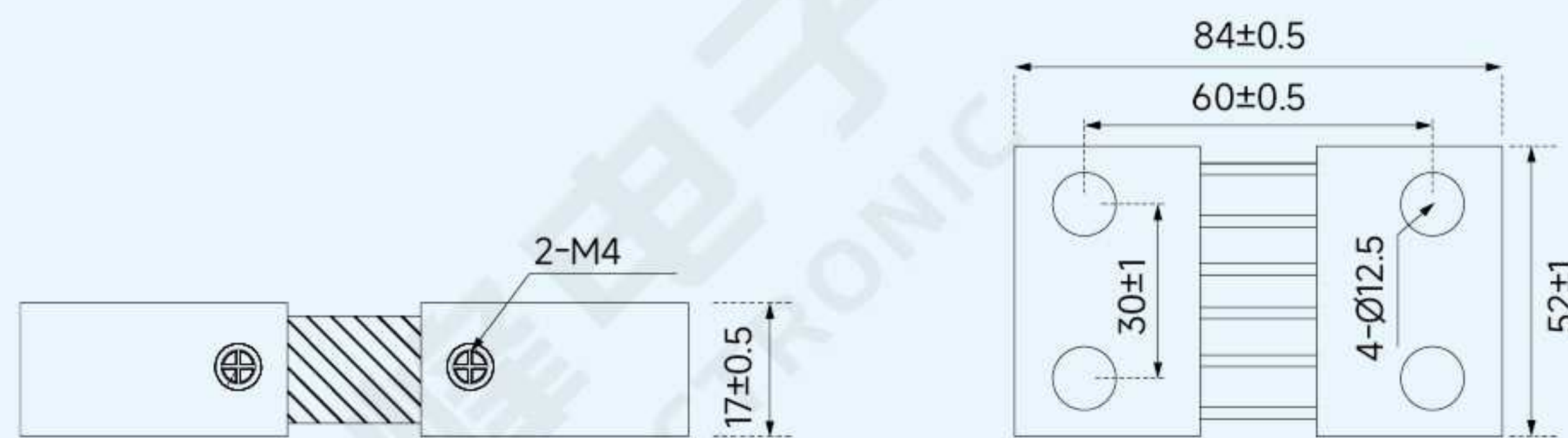
10000A



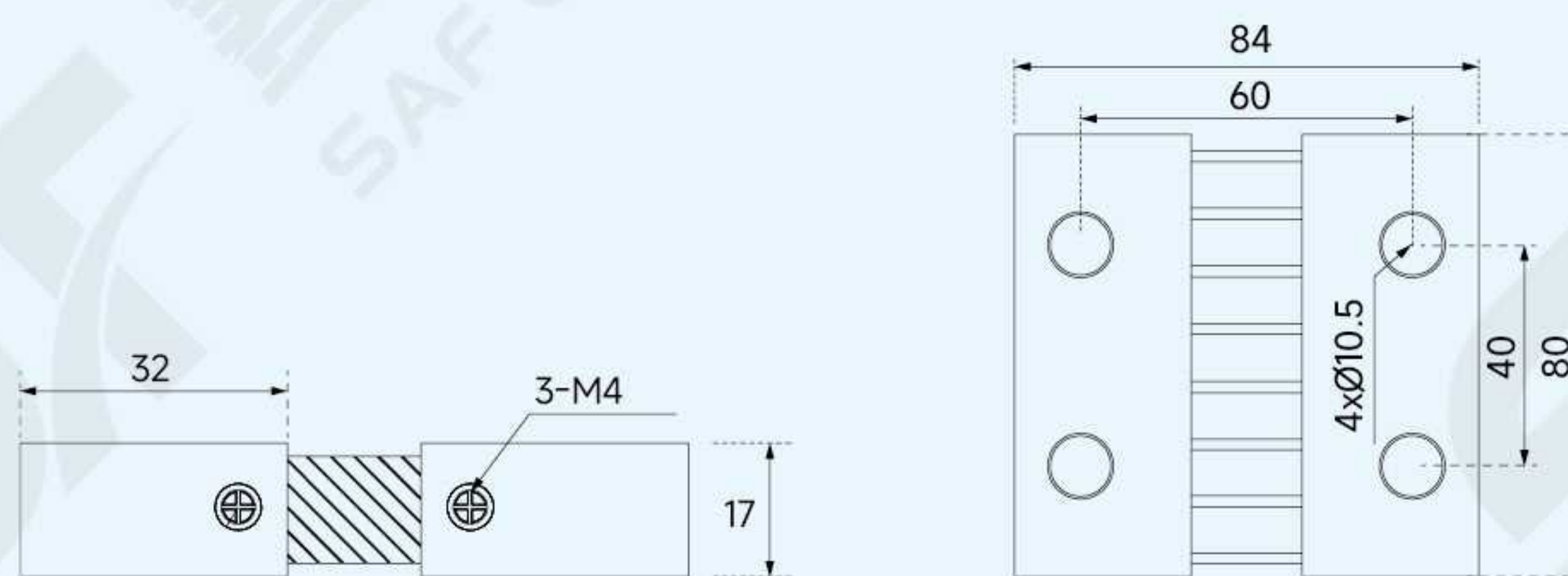
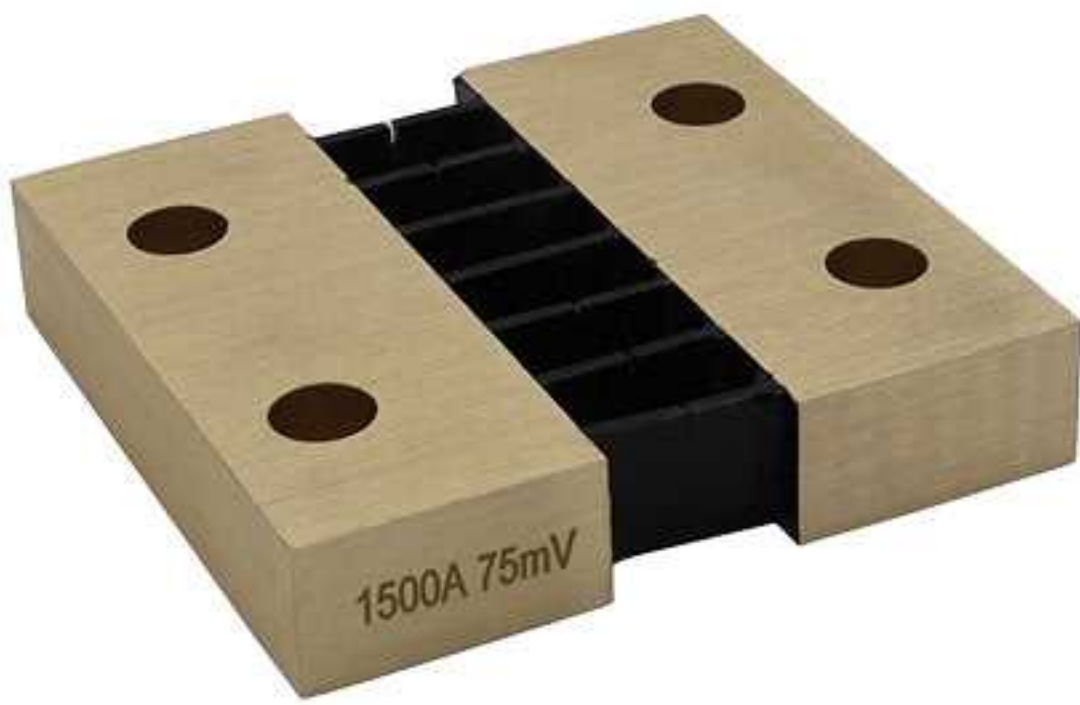
FL-AIR COOLED DC SHUNT

FL- 风冷型

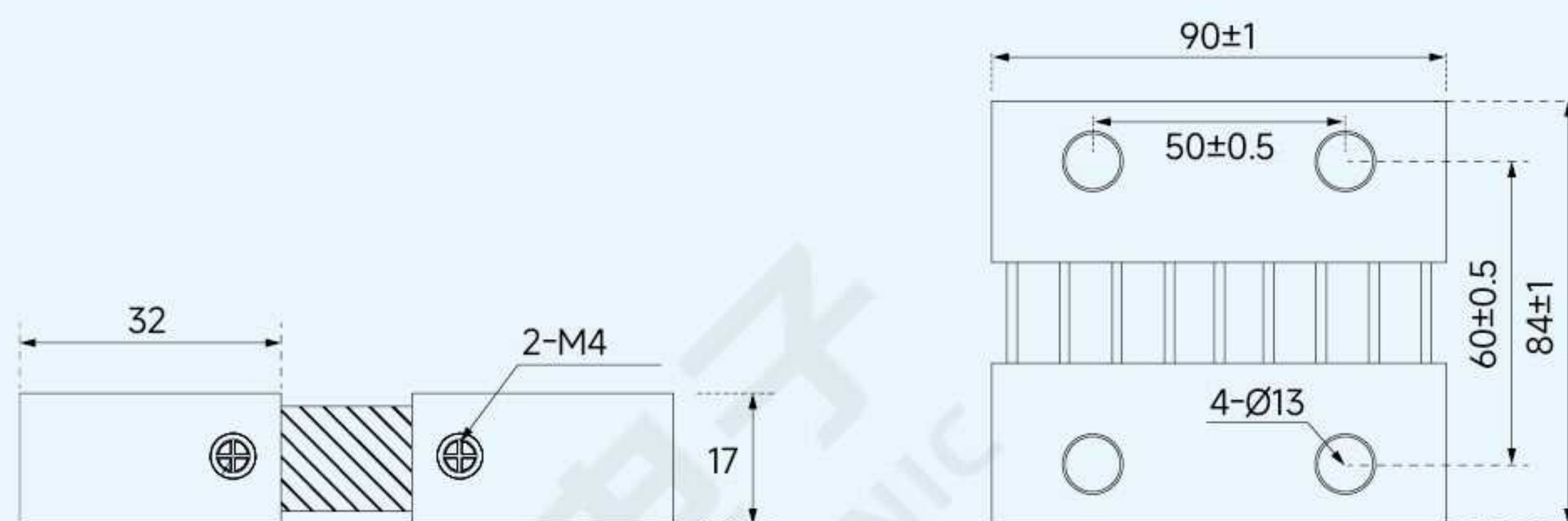
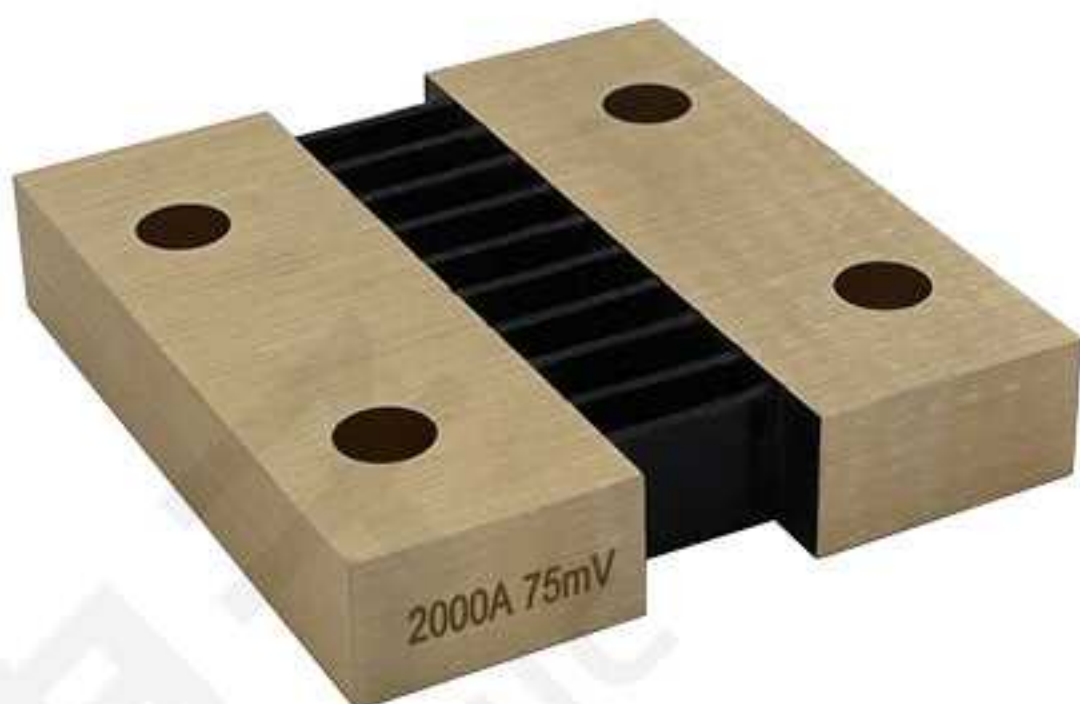
1000A



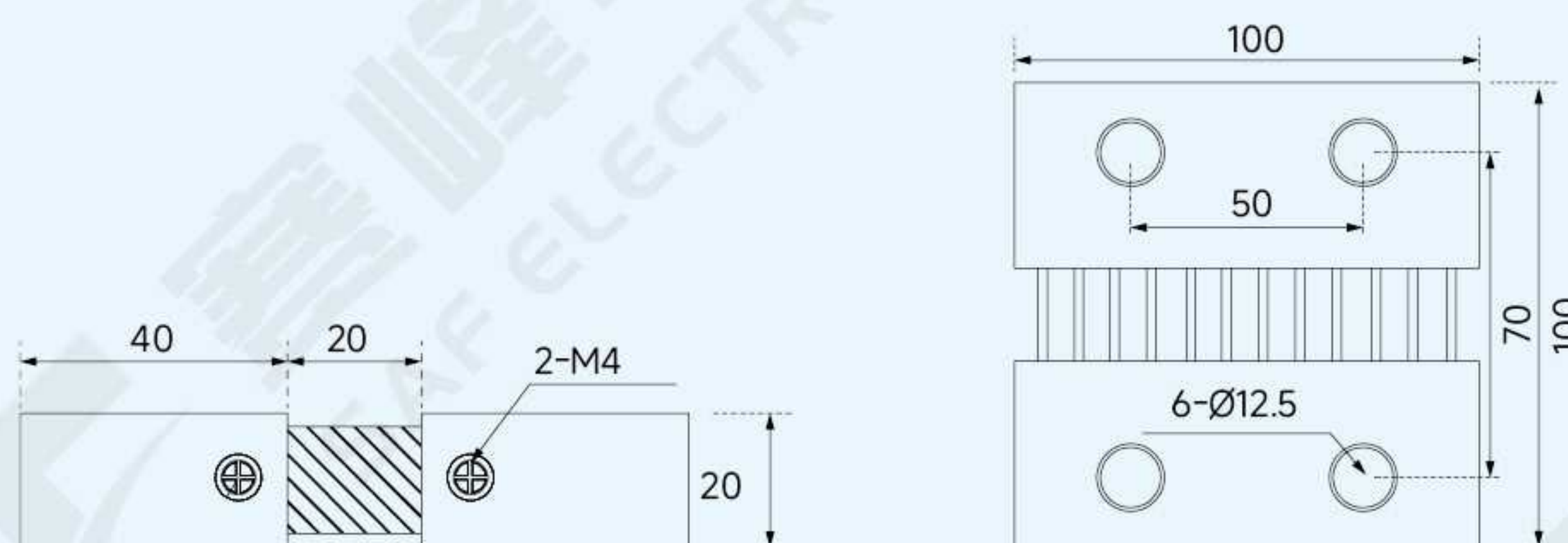
1500A



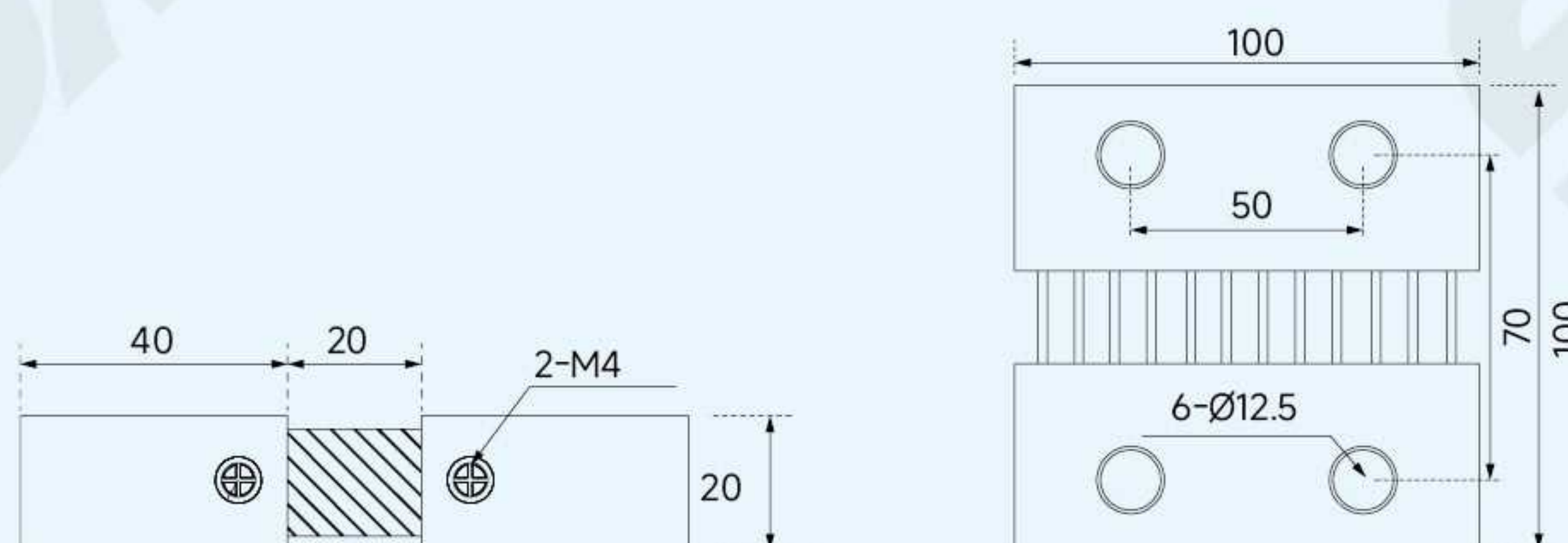
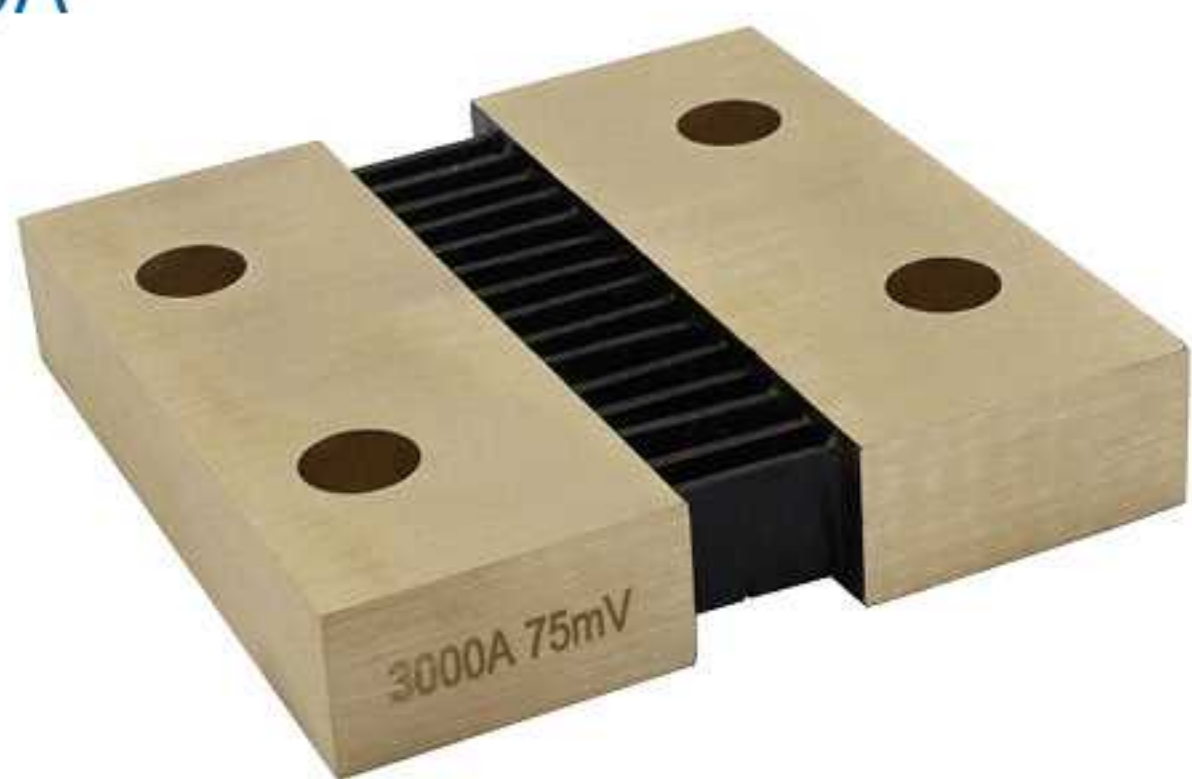
2000A



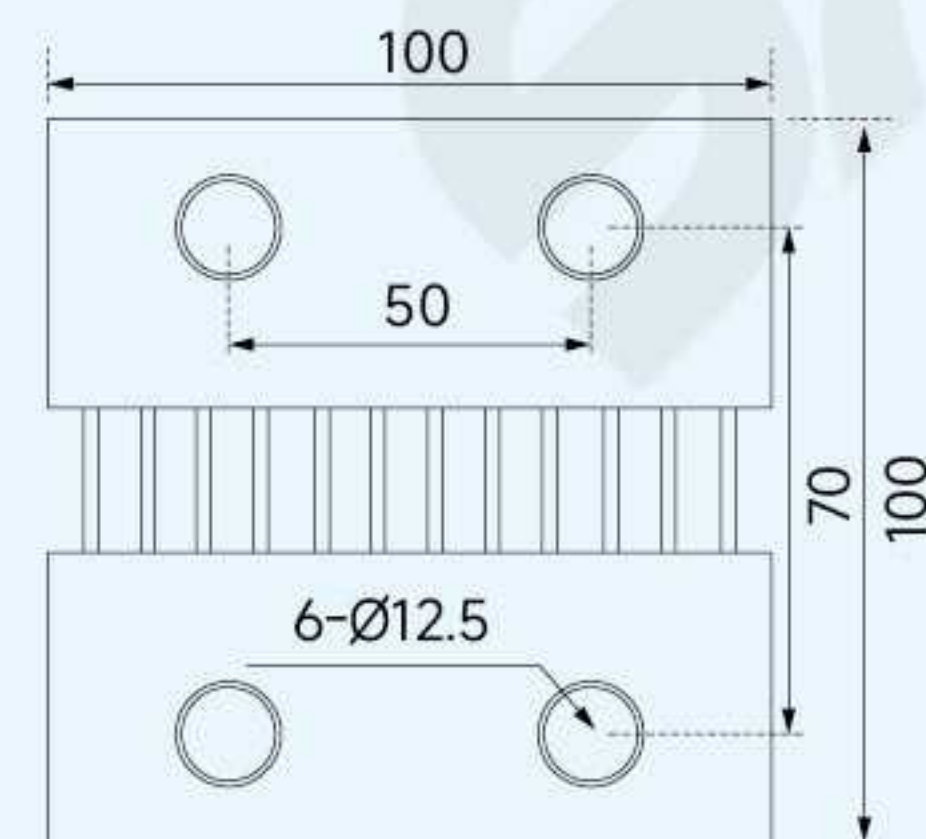
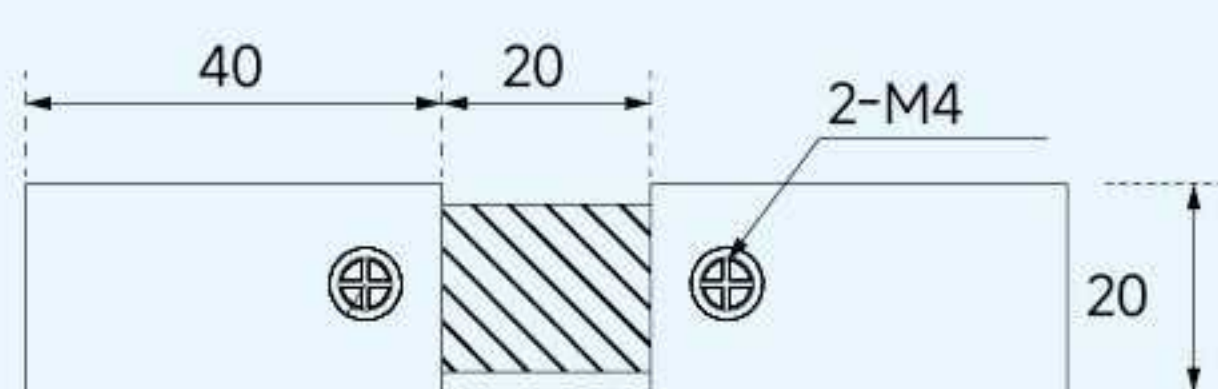
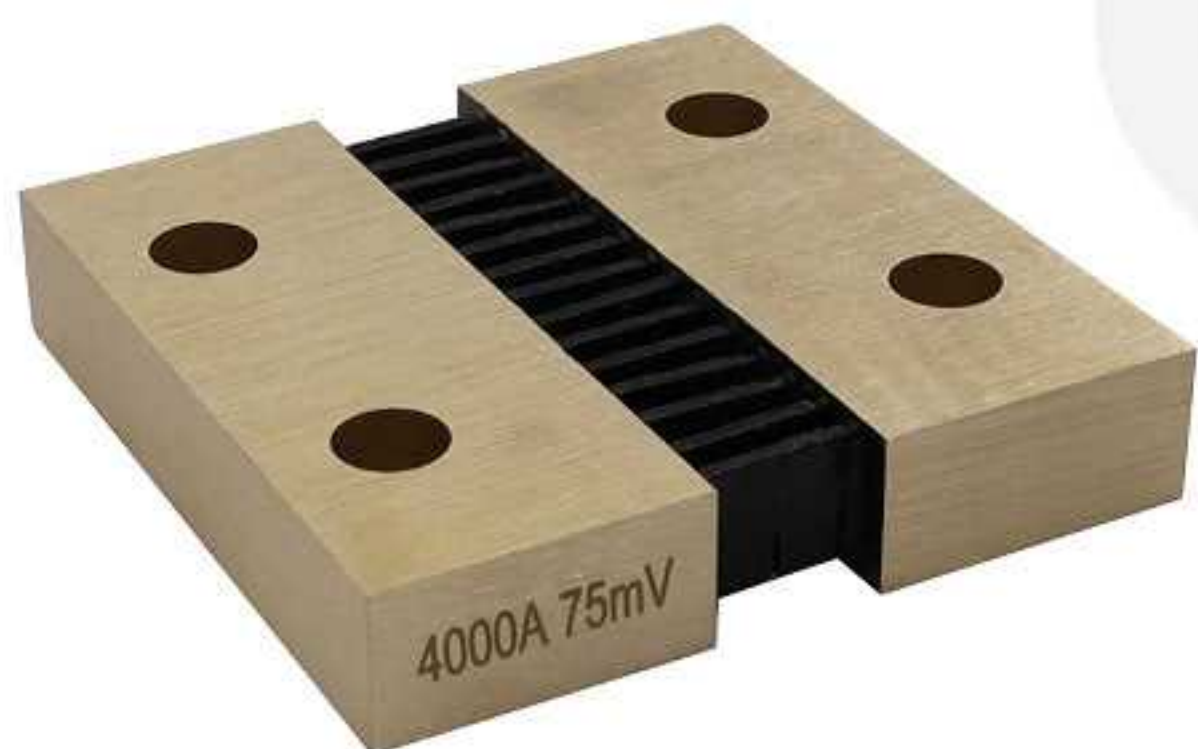
2500A



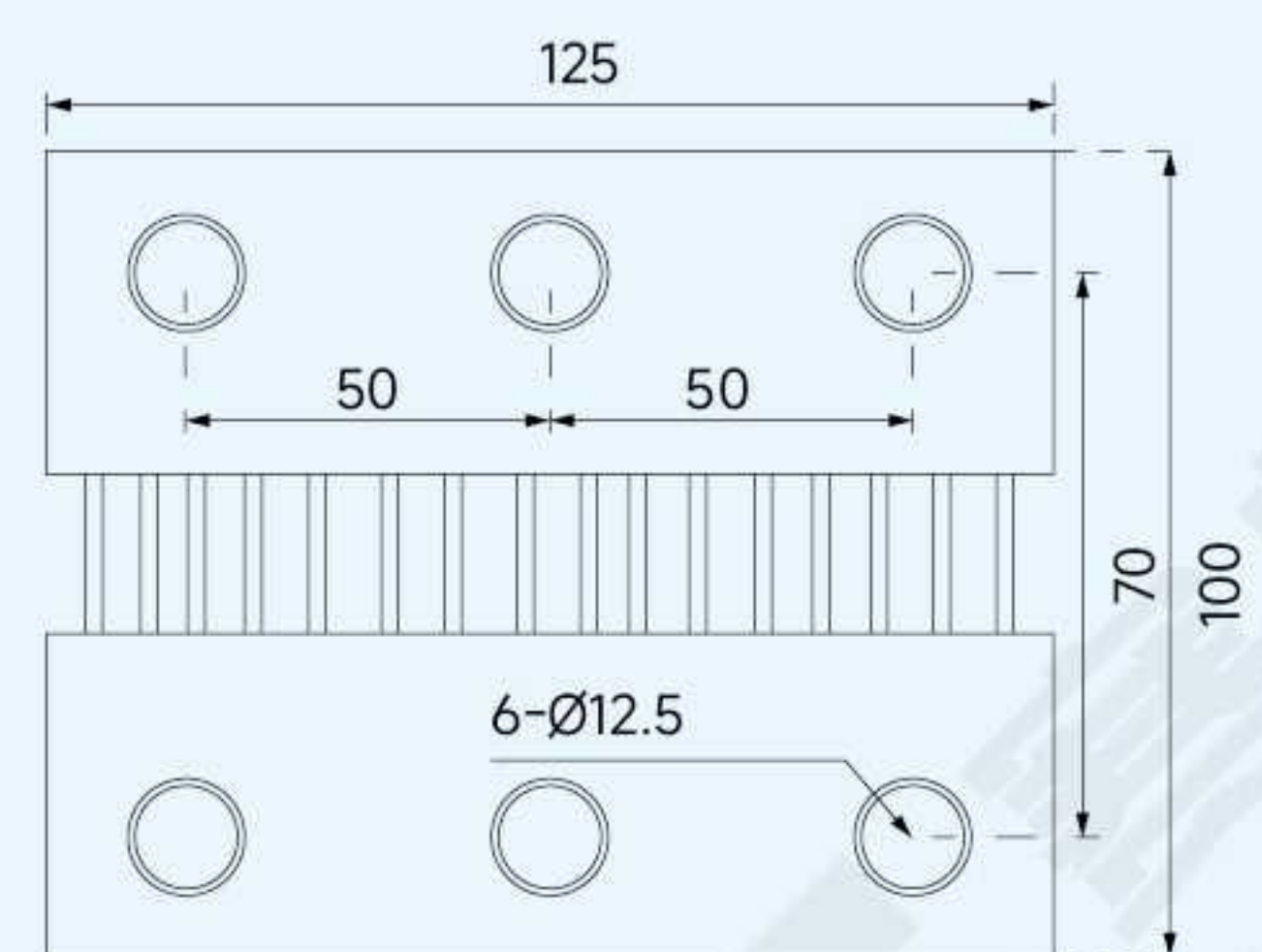
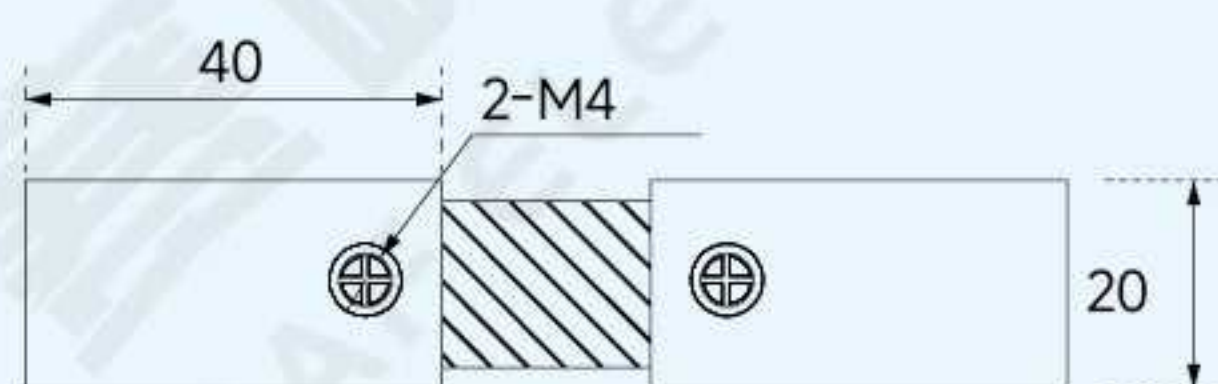
3000A



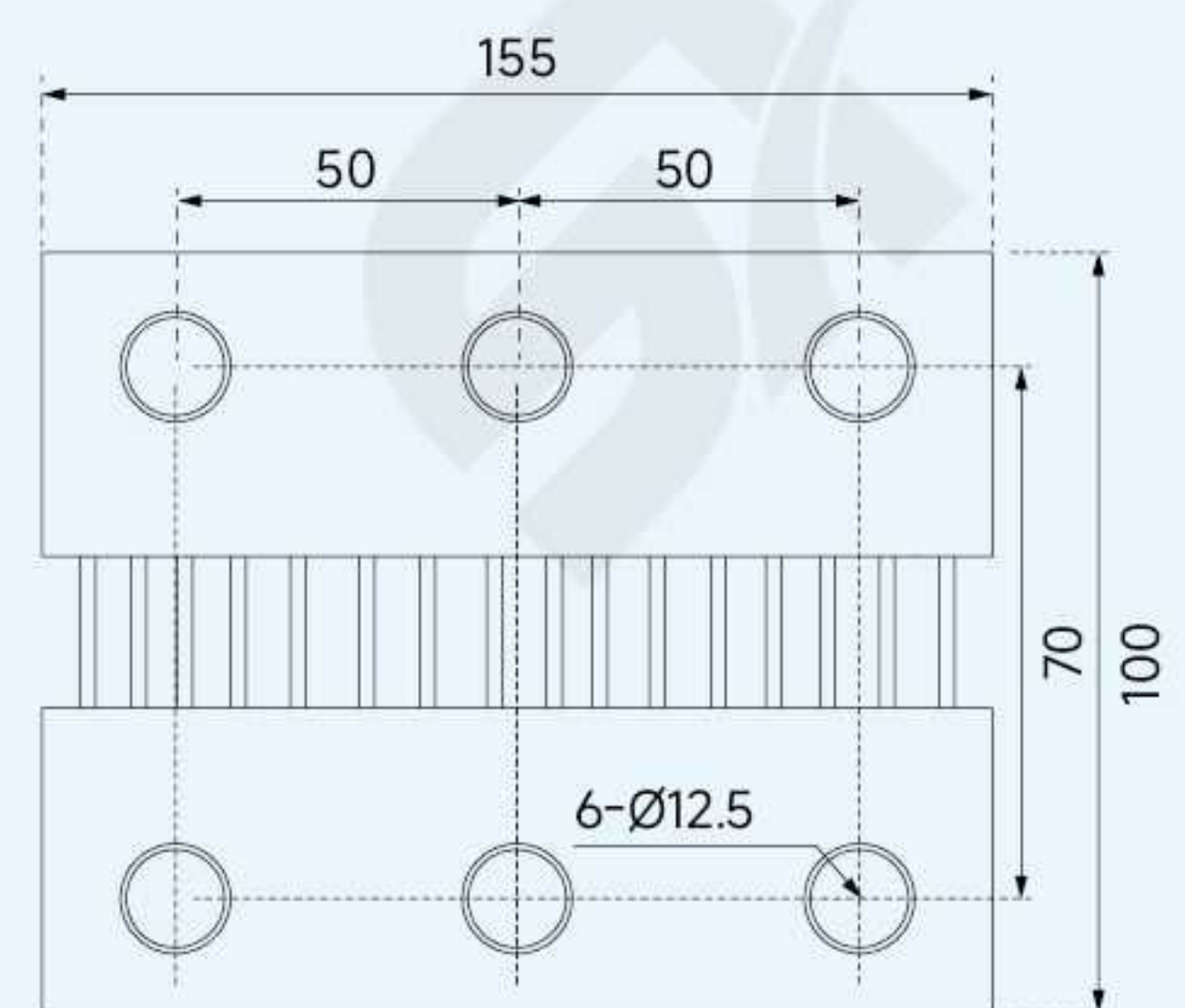
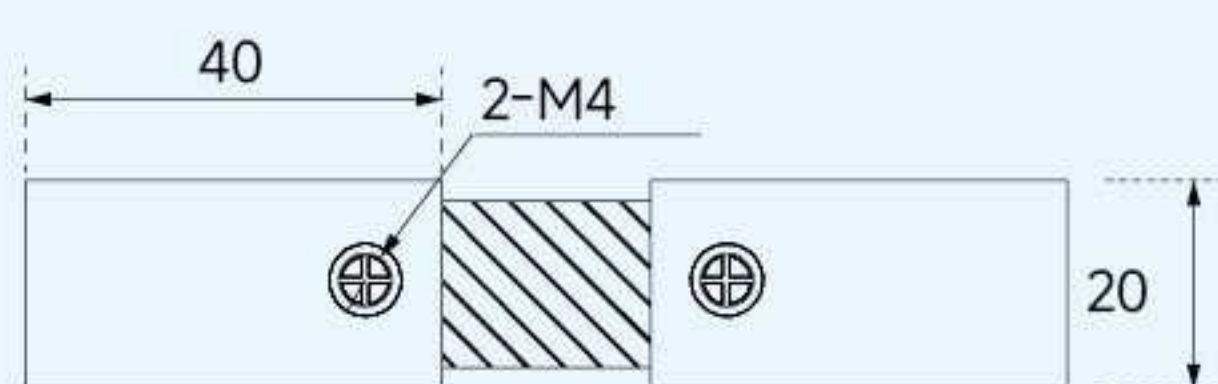
4000A



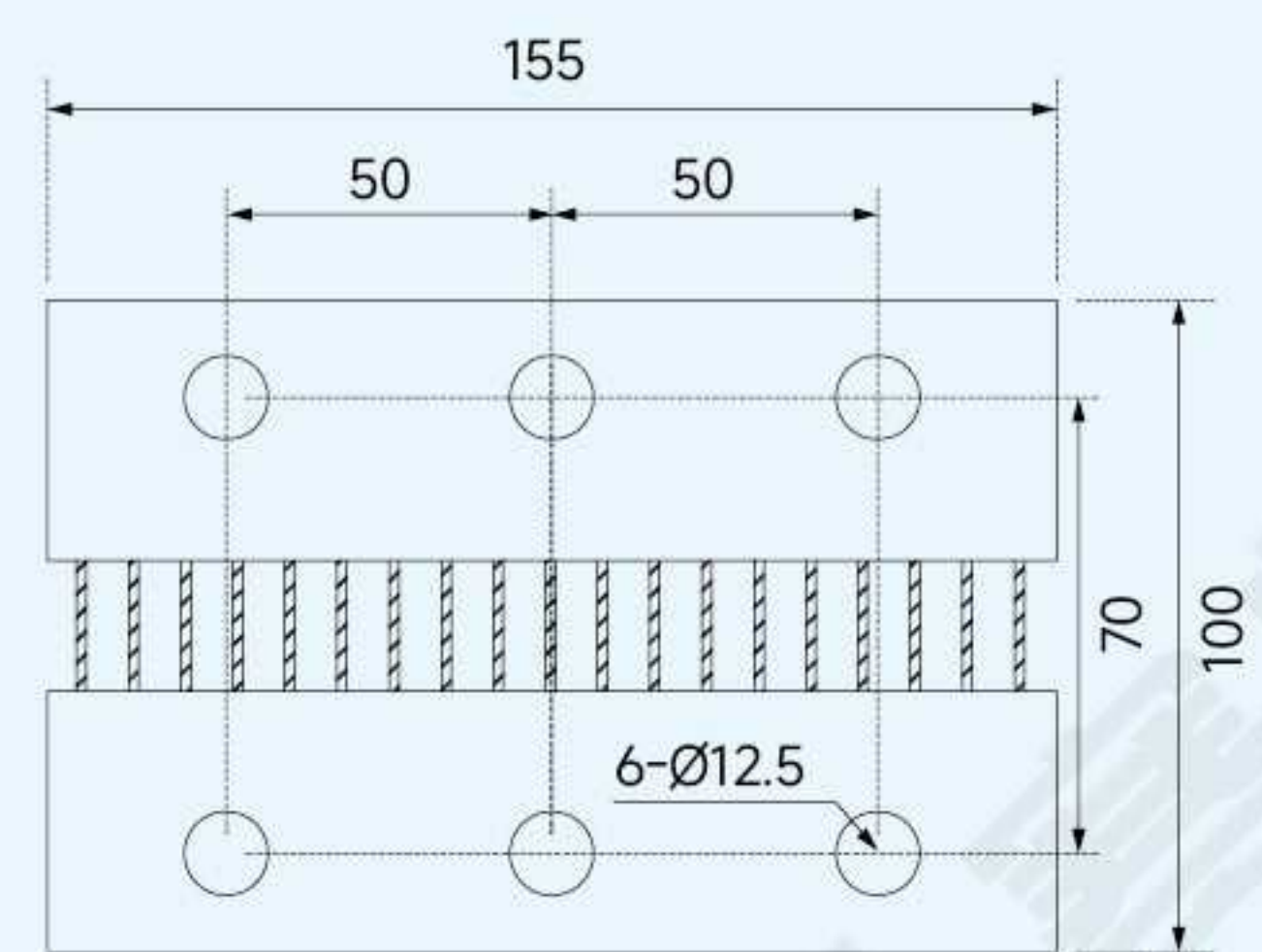
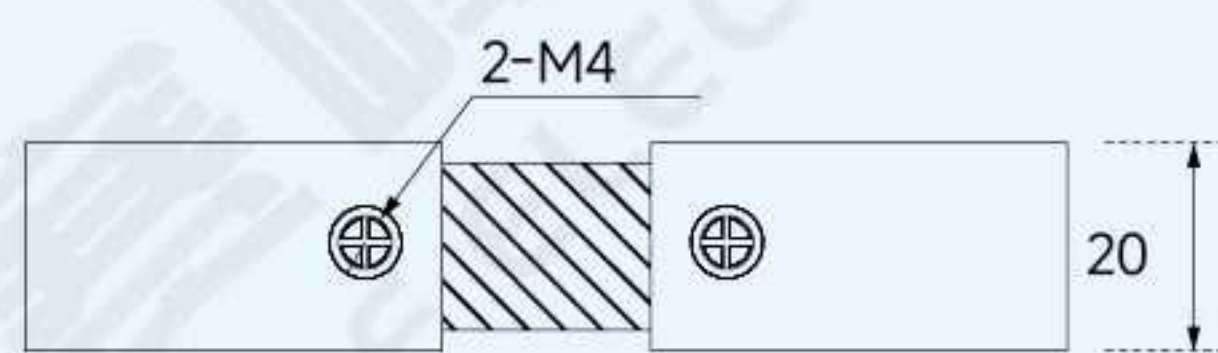
5000A



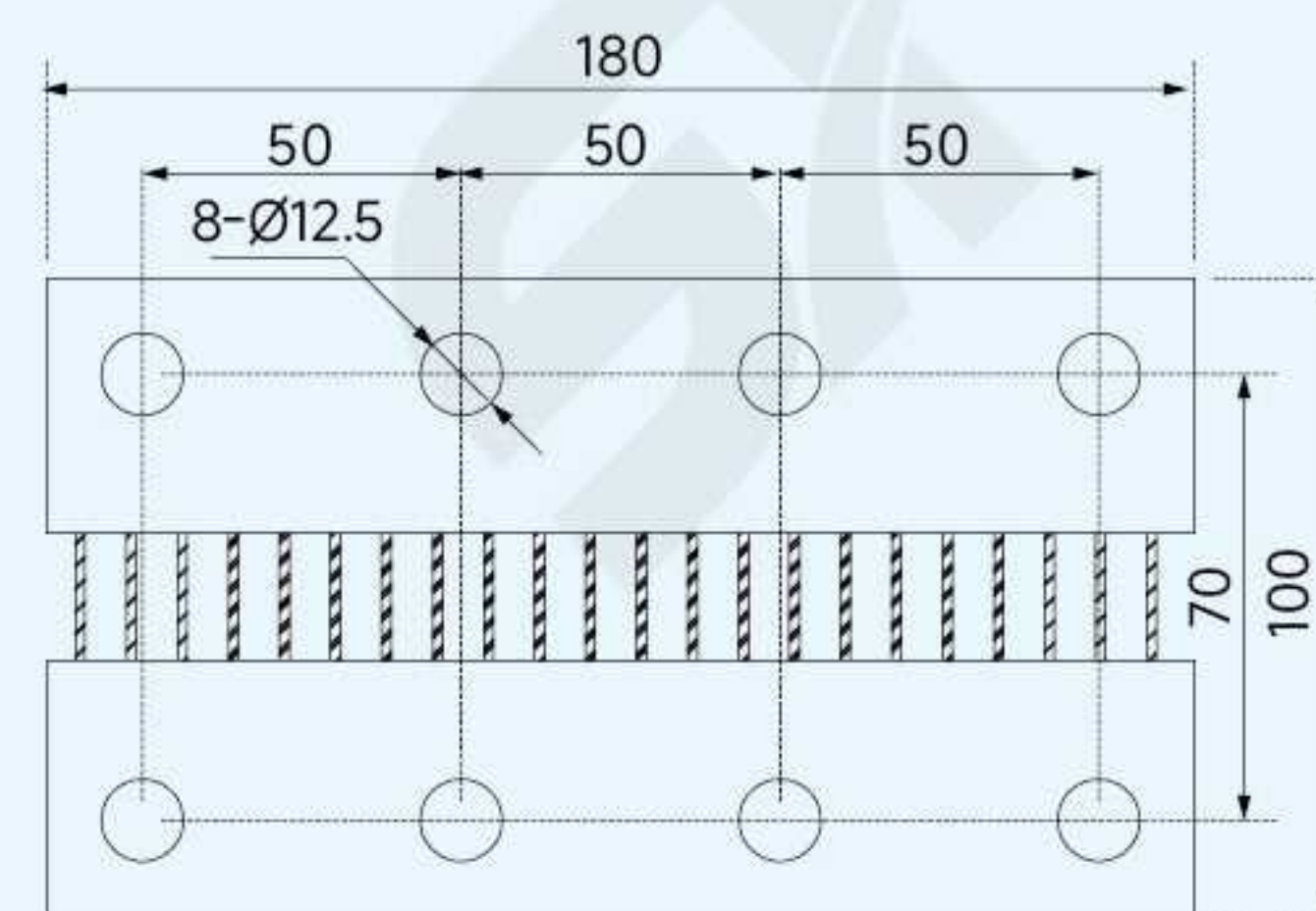
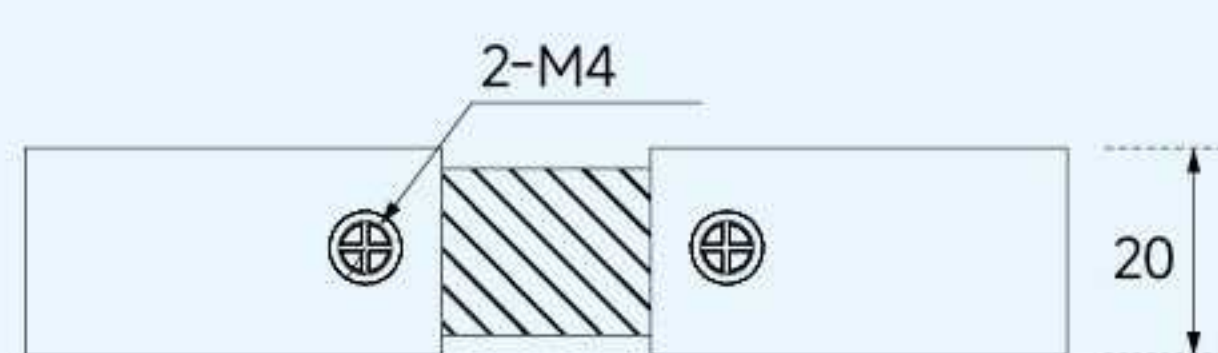
6000A



8000A



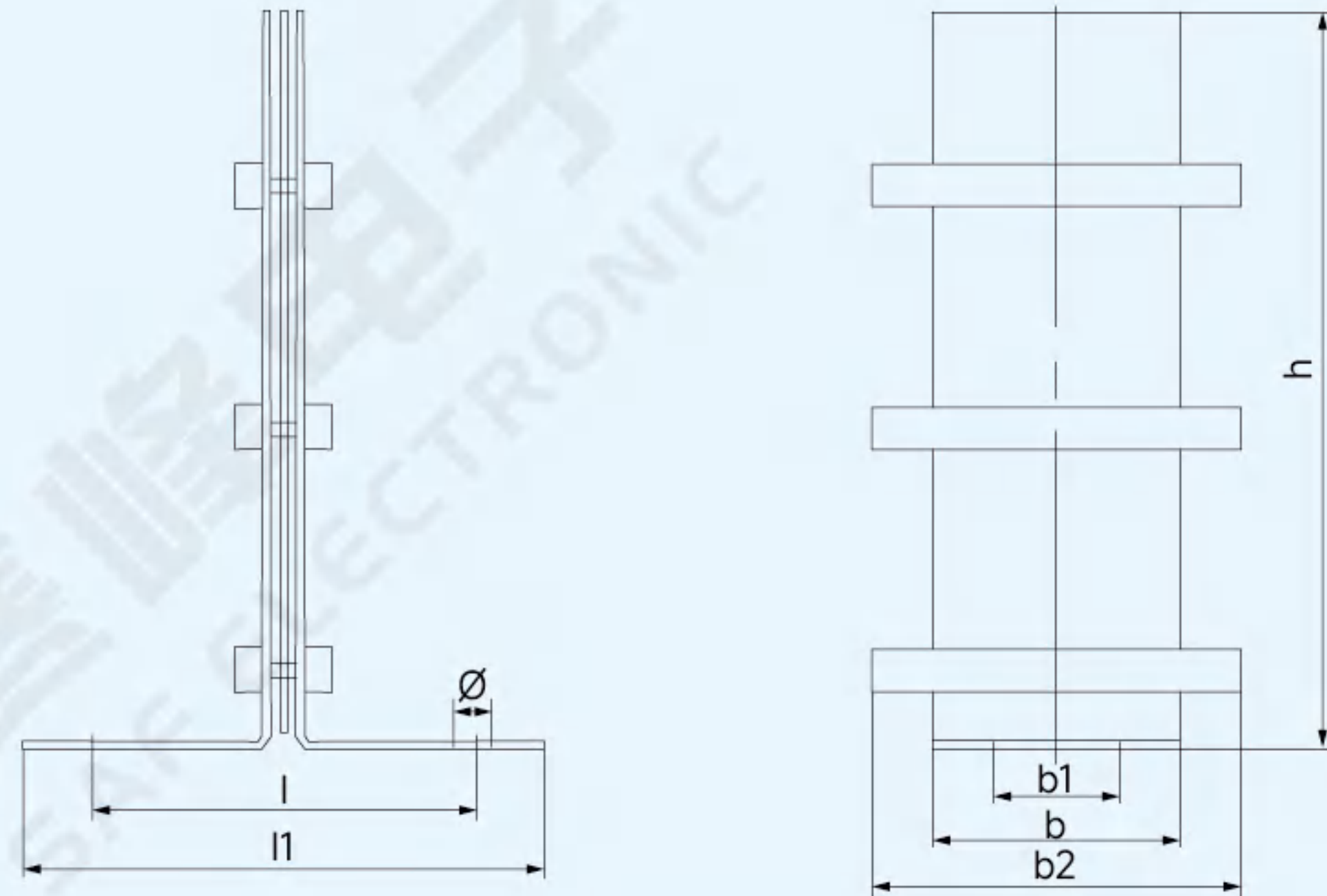
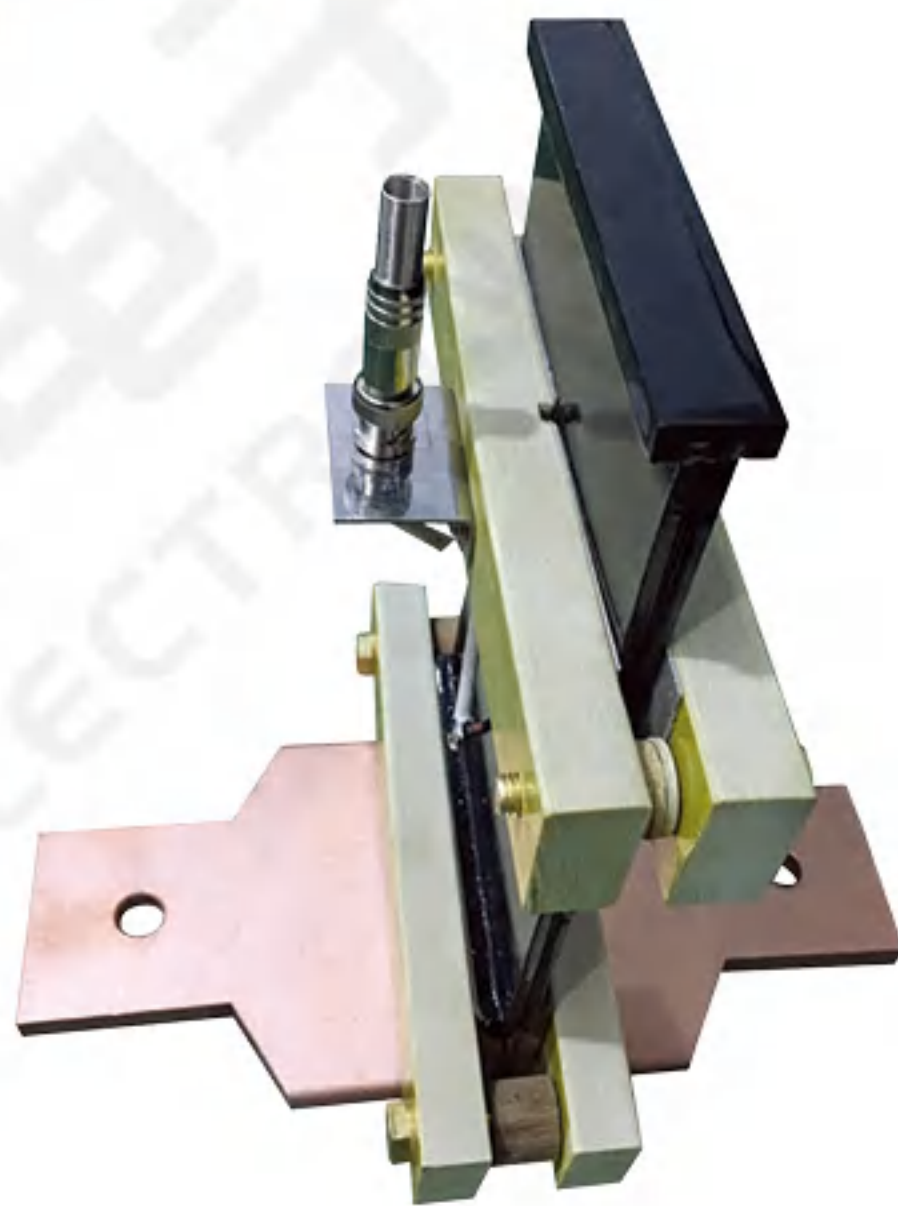
10000A



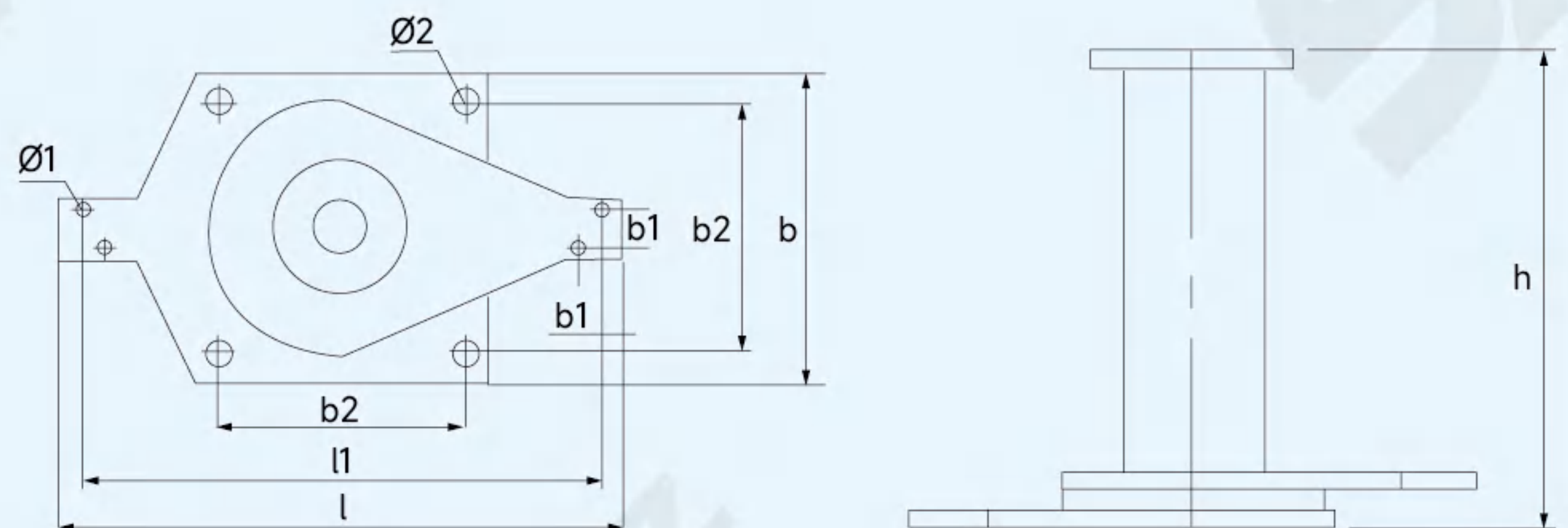
FLP1/FLT1 Low Inductance Shunt

FLP1/FLT1 低电感分流器

FLP1 偏片式 Partial type



FLT1 圆筒式 Cylinder type



产品概述 Overview

专为直流电网系统、电网公司、科研院所等大型电力交直流系统试验台架、实验装置等定制。

最大工作电流范围：3kA 至 100kA

参考准确度（精度）等级：0.5 级

参考输出电压降：FLP1:3V(3kA/10kA)；FLT1:2.5V(30kA) 及 2V(60kA/100kA)

Customized for DC power grid systems, power grid enterprises, scientific research institutes, and other large AC/DC power system test benches and experimental devices.

Maximum working current range: 3kA to 100kA

Reference accuracy(accuracy)level: 0.5

Reference output voltage drop:

FLP1:3V(3kA/10kA)；FLT1:2.5V(30kA)and 2V(60kA/100kA)

参考性能指标 Reference performance indicators

型号 Model		FLP1		FLT1		
最大工作电流 Maximum operating current	KA	3	10	30	60	1000
参考输出电压降 Reference output voltage drop	V	3	3	2.5	2	2
允许长时间工作电流 Allow long working current	A	150	250	1000	2000	2500
电时间常数 Electrical time constant	µS	15	15	20	50	80

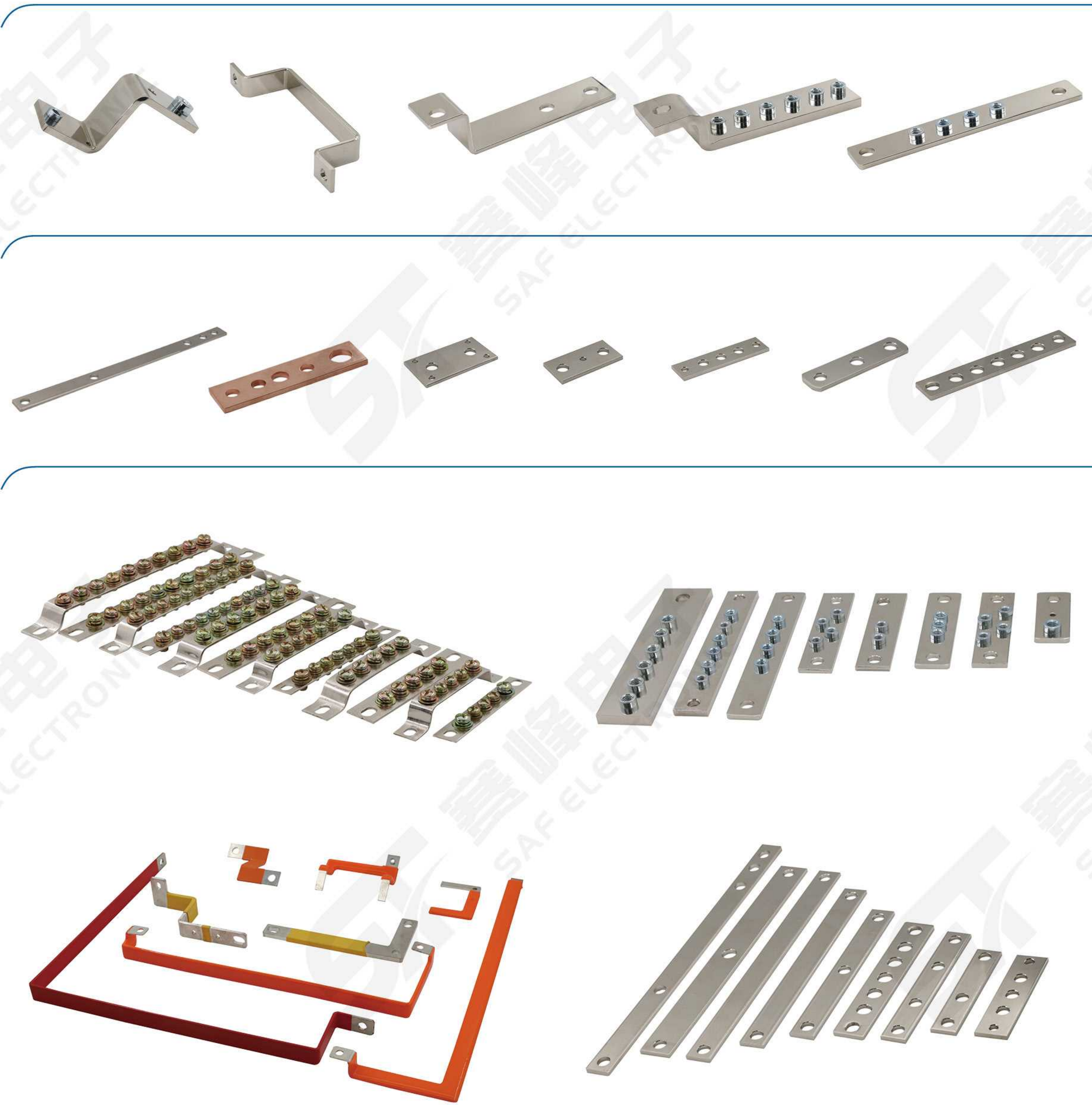
外形尺寸 Overall dimensions

单位 Unit: mm

型号 Model	最大工作电流 Maximum Working Current	l	l1	b	b1	b2	h	Ø1	Ø2
FLP1	3kA	155	215	100	50	150	300	15	-
	10kA	208	269	120	60	180	251.5	17	-
FLP1	30kA	365	335	200	25	160	308	4-13	16
	30kA	536	486	266	50	214	276	8-18	20
	100kA	516	511	290	50	242	286	8-18	20

COPPER Busbar

铜排





浙江赛峰电子有限公司
ZHEJIANG SAF ELECTRONIC CO.,LTD.

生产基地: 浙江乐清市白石凤凰工业区 26 号

Add: No.26, Baishi Fenghua Industrial Zone, Yueqing City, Zhejiang Province

电话 Tel: 0577-62759491

传真 Fax: 0577-62689791

网址 Web: www.cnsfdz.com

邮箱 E-mail: sfdz@cnsfdz.com



扫一扫添加微信
Scan to add WeChat



电子样本
Electronic Catalog